

BALDOR® • *RELIANCE*

Product Information Packet

MVM3463C

.56KW,3450RPM,3PH,60HZ,D71C,3328M,TEFC

Copyright © All product information within this document is subject to Baldor Electric Company copyright © protection, unless otherwise noted.

Part Detail							
Revision:	W	Status:	PRD/A	Change #:		Proprietary:	No
Type:	AC	Prod. Type:	3328M	Elec. Spec:	33WGW274	CD Diagram:	
Enclosure:	TEFC	Mfg Plant:		Mech. Spec:	33-1922	Layout:	
Frame:	D71C	Mounting:	F2	Poles:	02	Created Date:	06-25-2007
Base:	N	Rotation:	R	Insulation:	B	Eff. Date:	08-08-2012
Leads:	9#18	Literature:		Elec. Diagram:		Replaced By:	
Nameplate NP1379L							
CAT.NO.	MVM3463C						
SPEC.	33-1922W274						
IEC FRAME	D71C	K.W.			.56 T TE		
VOLTS	230/460						
AMP	2.8/1.4						
RPM	3450	I.P.			54		
HZ	60	PH			3	CL	B
SER.F.	1.25	DES			B	CODE	L
NEMA-NOM-EFF	75.5	PF			78		
RATING	40C AMB-CONT						
CC		USABLE AT 208V			3.4		
DE	6203	ODE			6203		
SER. #							
	SFA 3.2/1.6						

Parts List		
Part Number	Description	Quantity
SA007282	SA 33-1922W274	1.000 EA
RA003729	RA 33-1922W274	1.000 EA
LC0005	CONN.DIA., TY M,9-LD,DUAL VOLT,REVERSING	1.000 EA
34CB3002C	CB CAST W/.69 DIA HOLE	1.000 EA
34GS1029A01	GASKET, CONDUIT BOX	1.000 EA
51XB1016A07	10-16 X 7/16 HXWSSLD SERTYB	2.000 EA
11XW1032G06	10-32 X .38, TAPTITE II, HEX WSHR SLTD U	1.000 EA
33EP3100A01SP	EP,33AC ODE GP 6203 TEFC W/DRAIN	1.000 EA
HW5109A05	WASHER, WAVE SPRING FOR 40MM BORE SMALLE	1.000 EA
33EP1300A35	PU EP, ENCL FACE MTD IEC D71C FOR SEAL	1.000 EA
51XN1032A20	10-32 X 1 1/4 HX WS SL SR	2.000 EA
33FN3000SP	EXTERNAL FAN, PLASTIC	1.000 EA
12XN0832A16	8-32 X 1.00" SLT HEX HD ZINC PLATED	1.000 EA
HW1003A08	WASHER, #8 EX TH LK, ZN (F/S)	1.000 EA
XY0832A02	8-32 HEX NUT	1.000 EA
33FH4001A01	FAN COVER, STAMPED	1.000 EA
11XT1032A06	10-32 X 3/8 HX WSHR HD SLTD TYPE 23	3.000 EA
34CB4517	CB LID 4 MTG HOLES .22 DIA STAMPED, FOR	1.000 EA
34GS1031A01	GASKET, FLAT CONDUIT BOX LID (LEXIDE)	1.000 EA
51XW0832A07	8-32 X .44, TAPTITE II, HEX WSHR SLTD SE	4.000 EA
HW2504D08	KEY, 5 MM X .875	1.000 EA
HW4600A50	SEAL,#6806 C-R .669X1.25 X.25 SNG LIP NO	1.000 EA
MJ5001A01	46-665 RED SEALER	0.001 QT
MG1000G27	PAINT- S9282E CHARCOAL GREY	0.013 GA

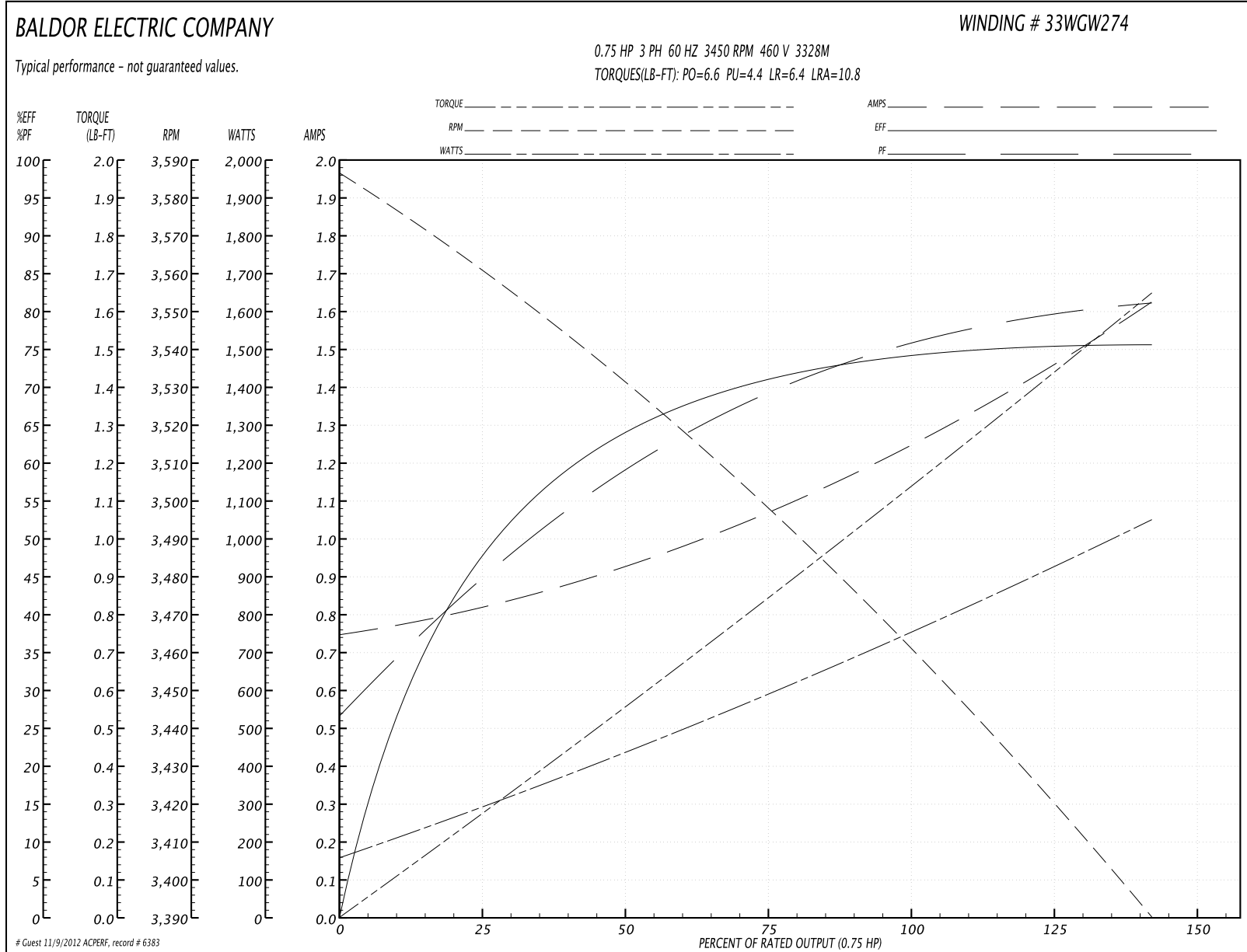
Parts List (continued)		
Part Number	Description	Quantity
85XU0407S04	4X1/4 U DRIVE PIN STAINLESS	2.000 EA
HA3100A37	THRUBOLT 10-32 X 8.500	2.000 EA
LB5040	INSTRUCTION TAG, AC & DC	1.000 EA
LB1171	LABEL CARTON 6X6 ON LINE BLANK ROLLS	1.000 EA
NP1379L	ALUM IEC UL CSA CC	1.000 EA
34PA1002	PACKING GROUP, BALDOR	1.000 EA
ME4000	.375-.75" DIA.#SW-04 WOVEN SHAFT PROTECT	0.125 FT

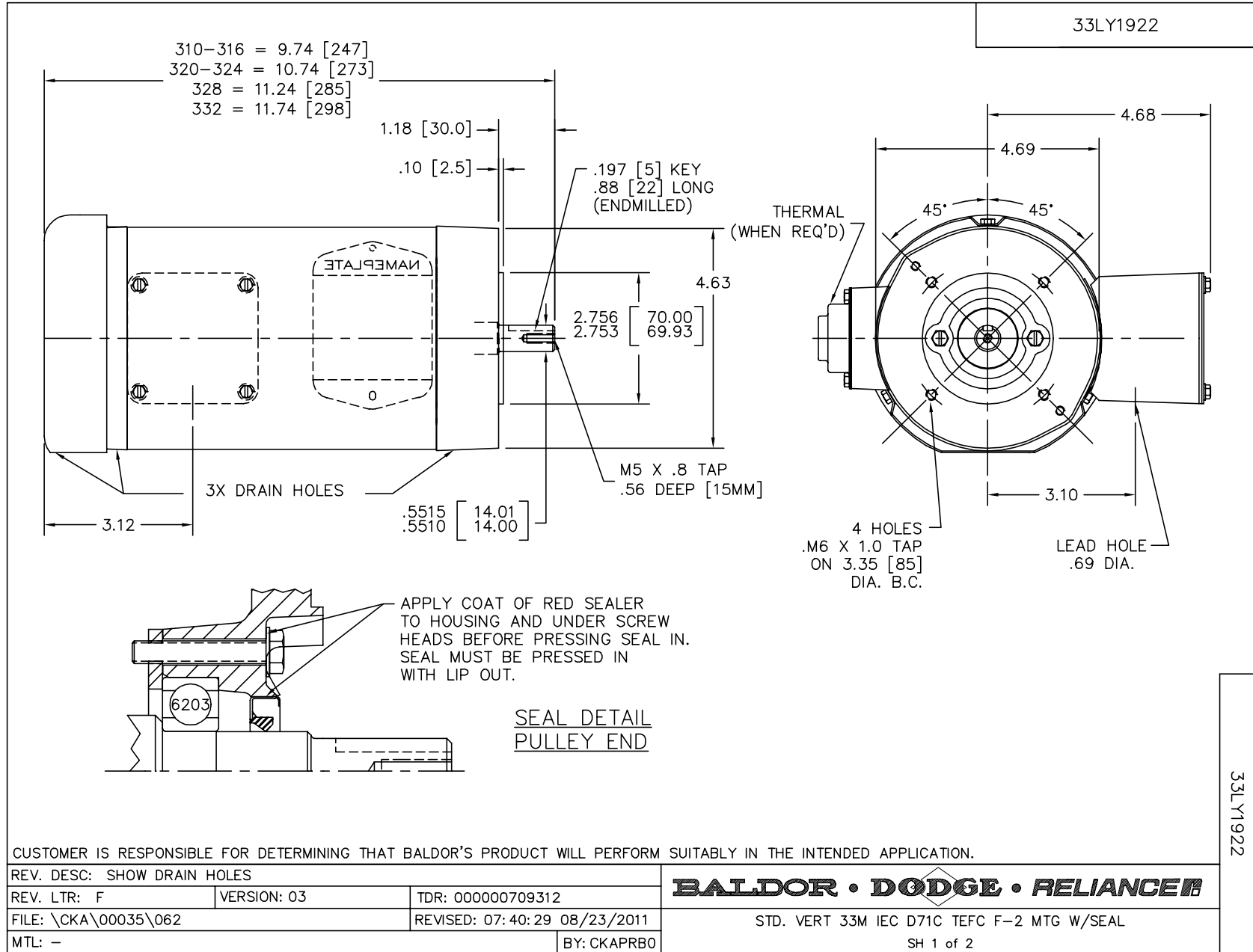
Performance Data at 460V, 60Hz, 0.75HP (Typical performance - Not guaranteed values)

General Characteristics			
Full Load Torque:	1.1 LB-FT	Start Configuration:	DOL
No-Load Current:	0.75 Amps	Break-Down Torque:	6.6 LB-FT
Line-line Res. @ 25°C.:	17.0 Ohms A Ph / 0.0 Ohms B Ph	Pull-Up Torque:	4.4 LB-FT
Temp. Rise @ Rated Load:	53 C	Locked-Rotor Torque:	6.4 LB-FT
Temp. Rise @ S.F. Load:	66 C	Starting Current:	10.8 Amps

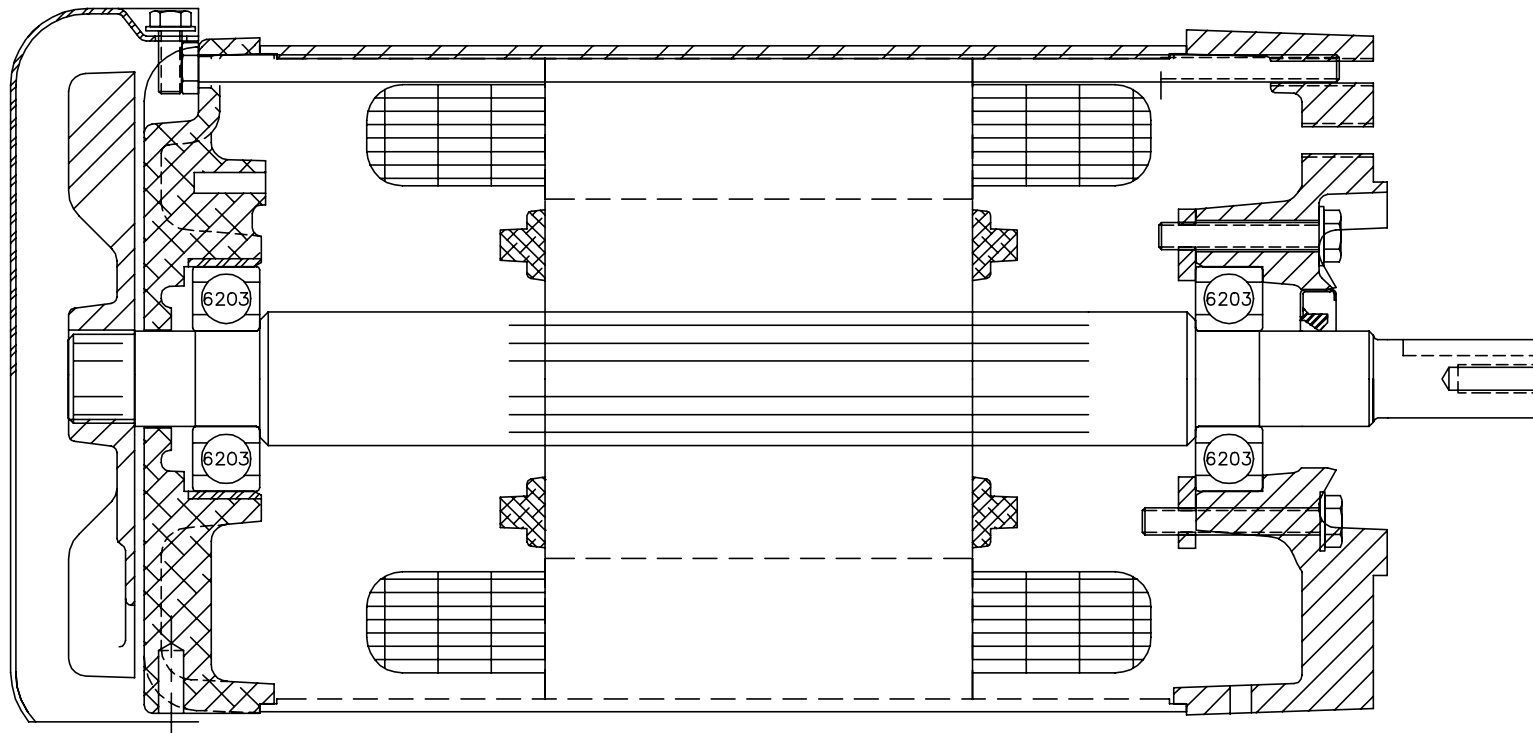
Load Characteristics							
% of Rated Load	25	50	75	100	125	150	S.F.
Power Factor:	45.0	61.0	71.0	79.0	83.0	86.0	83.0
Efficiency:	47.2	63.2	70.1	75.2	75.2	75.4	75.2
Speed:	3561.0	3531.0	3500.0	3470.0	3426.0	3391.0	3426.0
Line Amperes:	0.82	0.92	1.05	1.22	1.44	1.61	1.44

Performance Graph at 460V, 60Hz, 0.75HP Typical performance - Not guaranteed values





33LY1922



33LY1922

CUSTOMER IS RESPONSIBLE FOR DETERMINING THAT BALDOR'S PRODUCT WILL PERFORM SUITABLY IN THE INTENDED APPLICATION.

REV. DESC: SHOW DRAIN HOLES

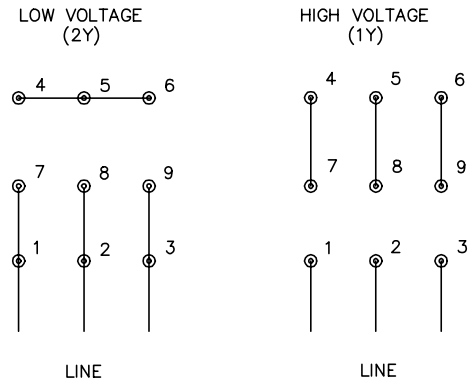
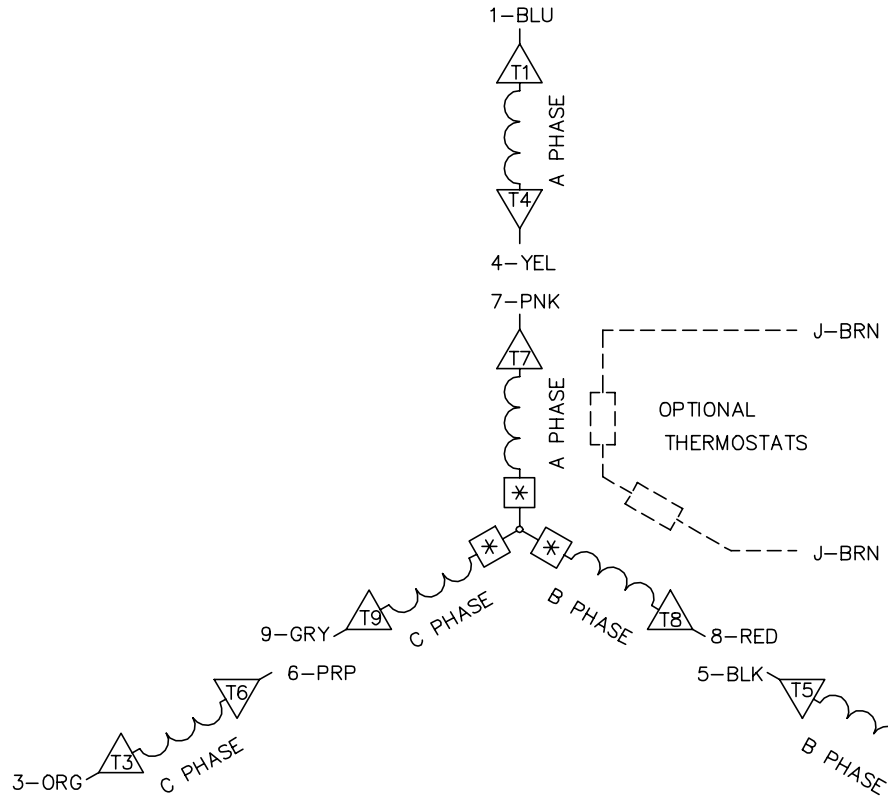
REV. LTR: F	VERSION: 03	TDR: 000000709312
FILE: \CKA\00035\062	REVISED: 07: 40: 30 08/23/2011	
MTL: -	BY: CKAPRBO	

BALDOR • DODGE • RELIANCE

STD. VERT 33M IEC D71C TEFC F-2 MTG W/SEAL

SH 2 of 2

CD0005A05



- NOTES:
1. INTERCHANGE ANY TWO LINE LEADS TO REVERSE ROTATION.
 2. OPTIONAL THERMOSTATS ARE PROVIDED WHEN SPECIFIED.
 3. ACTUAL NUMBER OF INTERNAL PARALLEL CIRCUITS MAY BE A MULTIPLE OF THOSE SHOWN ABOVE.
 4. LEAD COLORS ARE OPTIONAL. LEADS MUST ALWAYS BE NUMBERED AS SHOWN.
 5. =MAGNET WIRE COIL END WITH I.D. NUMBER.
 6. =MAGNET WIRE COIL END WITH I.D. SYMBOL.
 7. SEE CW PRINT FOR NEST TO NEST CROSSOVER CONNECTIONS.

REV. DESC: ADD NEST NOTE			
REV. LTR: C	VERSION: 03	TDR: 000000445597	
CD0005A05	FILE: \CKA\00024\847	REVISED: 12:51:06 11/15/2007	
	MTL: -	BY: CKMICRO	

BALDOR • DODGE • RELIANCE

3PH, DV, 9 LEADS, CK

CD0005A05