

BALDOR® • *RELIANCE*

Product Information Packet

MVM3613D

3.7KW,3450RPM,3PH,60HZ,D100LD,3626M,TEFC

Copyright © All product information within this document is subject to Baldor Electric Company copyright © protection, unless otherwise noted.

| Part Detail | | | | | | | |
|-------------|--------|-------------|-------|----------------|----------|---------------|------------|
| Revision: | B | Status: | PRD/A | Change #: | | Proprietary: | No |
| Type: | AC | Prod. Type: | 3626M | Elec. Spec: | 36WGT850 | CD Diagram: | |
| Enclosure: | TEFC | Mfg Plant: | | Mech. Spec: | 36H938 | Layout: | |
| Frame: | D100LD | Mounting: | B5 | Poles: | 02 | Created Date: | 05-26-2010 |
| Base: | N | Rotation: | R | Insulation: | F | Eff. Date: | 08-05-2011 |
| Leads: | 9#16 | Literature: | | Elec. Diagram: | | Replaced By: | |

| Nameplate NP1407L | | | | | | | |
|-------------------|---------------|----------------|--|--|--|-------|--------|
| CAT.NO. | MVM3613D | | | | | | |
| SPEC. | 36H938T850H1 | | | | | | |
| IEC FRAME | D100LD | K.W. | | | | 3.7KW | |
| VOLTS | 208-230/460 | | | | | | |
| AMP | 12.6-11.6/5.8 | | | | | | |
| RPM | 3450 | I.P. | | | | 54 | |
| HZ | 60 | PH | | | | 3 | CL F |
| SER.F. | 1.15 | DES | | | | B | CODE K |
| NEMA-NOM-EFF | 87.5 | PF | | | | 93 | |
| RATING | 40C AMB-CONT | | | | | | |
| CC | 010A | USABLE AT 208V | | | | | |
| DE | 6206 | ODE | | | | 6205 | |
| SER. # | | | | | | | |
| | | | | | | | |

| Parts List | | |
|----------------|--|----------|
| Part Number | Description | Quantity |
| SA197466 | SA 36H938T850H1 | 1.000 EA |
| RA184855 | RA 36H938T850H1 | 1.000 EA |
| 36FN3000C01SP | EXFN, PLASTIC, 5.25 OD, .912 ID | 1.000 EA |
| S/P101-000-000 | EPACT PROCEDURES-FS PLANT-POLYREX EM, NO | 1.000 EA |
| 36CB3004 | 36 CB CASTING W/1.09 DIA LEAD HOLE @ 6:0 | 1.000 EA |
| 36GS1000SP | GASKET-CONDUIT BOX, .06 THICK #SV-330 LE | 1.000 EA |
| 51XB1016A08 | 10-16X 1/2HXWSSLD SERTYB | 2.000 EA |
| 11XW1032G06 | 10-32 X .38, TAPTITE II, HEX WSHR SLTD U | 1.000 EA |
| HW3001B01 | 003SS CUP WASHER, FOR #8 SCREW | 1.000 EA |
| 36EP3104A01 | FREP MACH W/GRSR, RAISED FH PADS | 1.000 EA |
| HW4500A01 | 1641B(ALEMITE)400 UNIV, GREASE FITT | 1.000 EA |
| HW5100A05 | WVY WSHR F/205 & 304 BRGS | 1.000 EA |
| 36EP1507A01 | FLANGE MTD ENDPLATE 36 IEC F215 CAST IRO | 1.000 EA |
| HW4500A01 | 1641B(ALEMITE)400 UNIV, GREASE FITT | 1.000 EA |
| HW4600B50SP | SEAL 1.156 X 1.874 X 0.250 SINGLE LIP DB | 1.000 EA |
| 10XN2520A20 | 1/4-20X 1 1/4 HEX HD X | 4.000 EA |
| 36FH4009A102SP | IEC FH GREASER W/AUTOPHERETIC PRIMER | 1.000 EA |
| 51XW1032A06 | 10-32 X .38, TAPTITE II, HEX WSHR SLTD S | 3.000 EA |
| 36CB4516 | 36 LIPPED CB LID | 1.000 EA |
| 37GS1001SP | GASKET, CONDUIT BOX LID, .06 THICK LEXID | 1.000 EA |
| 51XW0832A07 | 8-32 X .44, TAPTITE II, HEX WSHR SLTD SE | 4.000 EA |
| HW2505A14 | KEY, 8 X 7 MM 1.50 INCHES | 1.000 EA |
| MJ5001A01 | 46-665 RED SEALER | 0.001 QT |
| 85XU0407S04 | 4X1/4 U DRIVE PIN STAINLESS | 2.000 EA |

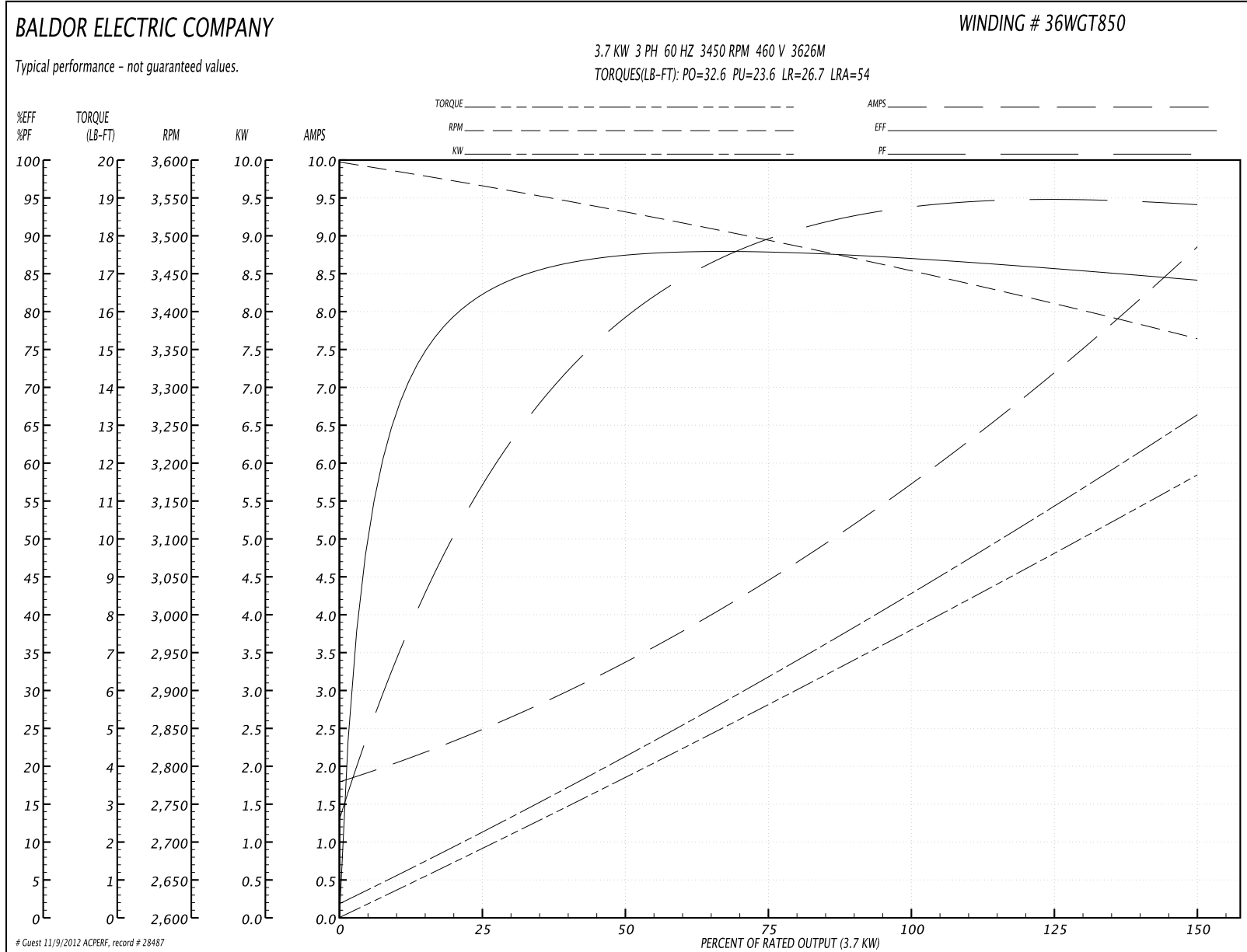
| Parts List (continued) | | |
|------------------------|--|----------|
| Part Number | Description | Quantity |
| MJ1000A75 | GREASE, POLYREX EM EXXON | 0.050 LB |
| 51XB1214A16 | 12-14X1.00 HXWSSLD SERTYB | 1.000 EA |
| MG1000G27 | PAINT- S9282E CHARCOAL GREY | 0.022 GA |
| HA3101A24 | THRUBOLT 1/4-20 X 10.125 DEMBY | 4.000 EA |
| LB1119 | WARNING LABEL | 1.000 EA |
| LB1125C04 | STD-E (STOCK CTN LABEL STD-E WITH FLAG) | 1.000 EA |
| LC0005 | CONN.DIA., TY M,9-LD,DUAL VOLT,REVERSING | 1.000 EA |
| LB5040 | INSTRUCTION TAG, AC & DC | 1.000 EA |
| NP1407L | ALUM IEC UL CSA CE CC | 1.000 EA |
| 36PA1001 | PACKAGING GROUP | 1.000 EA |
| PK3082 | STYROFOAM CRADLE | 1.000 EA |

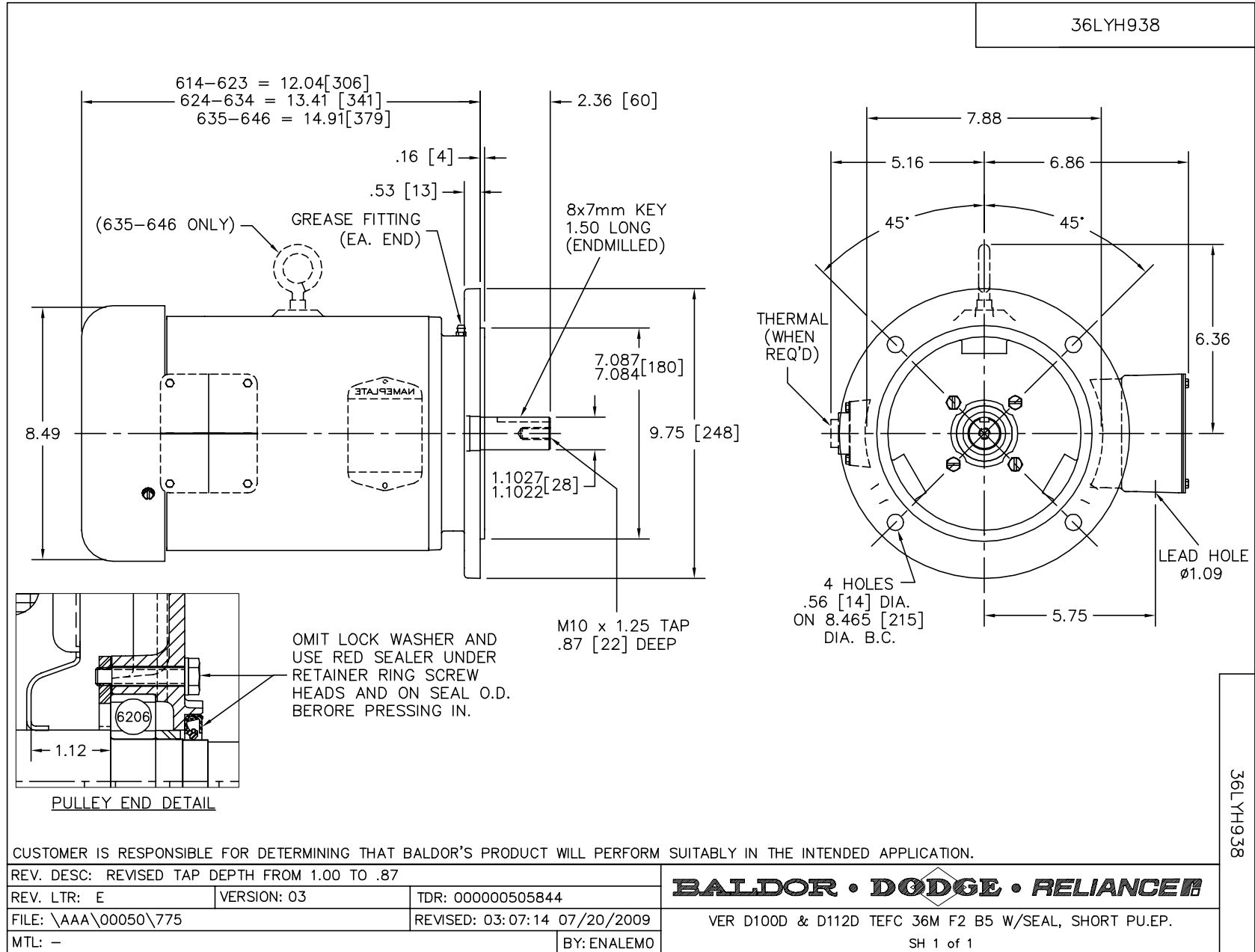
Performance Data at 460V, 60Hz, 3.7KW (Typical performance - Not guaranteed values)

| General Characteristics | | | |
|--------------------------|--------------------------------|----------------------|------------|
| Full Load Torque: | 7.62 LB-FT | Start Configuration: | DOL |
| No-Load Current: | 1.89 Amps | Break-Down Torque: | 32.6 LB-FT |
| Line-line Res. @ 25°C.: | 2.44 Ohms A Ph / 0.0 Ohms B Ph | Pull-Up Torque: | 23.6 LB-FT |
| Temp. Rise @ Rated Load: | 71 C | Locked-Rotor Torque: | 26.7 LB-FT |
| Temp. Rise @ S.F. Load: | 90 C | Starting Current: | 54.0 Amps |

| Load Characteristics | | | | | | | |
|----------------------|--------|--------|--------|--------|--------|--------|--------|
| % of Rated Load | 25 | 50 | 75 | 100 | 125 | 150 | S.F. |
| Power Factor: | 60.0 | 81.0 | 89.0 | 93.0 | 94.0 | 95.0 | 94.0 |
| Efficiency: | 82.4 | 87.8 | 88.3 | 87.5 | 86.0 | 84.1 | 86.6 |
| Speed: | 3564.0 | 3530.0 | 3494.0 | 3454.0 | 3412.0 | 3363.0 | 3429.0 |
| Line Amperes: | 2.34 | 3.36 | 4.52 | 5.79 | 7.24 | 8.8 | 6.66 |

Performance Graph at 460V, 60Hz, 3.7KW Typical performance - Not guaranteed values





CD0005

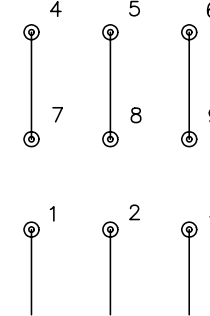


LOW VOLTAGE (2Y)



LINE

HIGH VOLTAGE (1Y)



LINE

NOTES:

1. INTERCHANGE ANY TWO LINE LEADS TO REVERSE ROTATION.
2. OPTIONAL THERMOSTATS ARE PROVIDED WHEN SPECIFIED.
3. ACTUAL NUMBER OF INTERNAL PARALLEL CIRCUITS MAY BE A MULTIPLE OF THOSE SHOWN ABOVE.
4. LEAD COLORS ARE OPTIONAL. LEADS MUST ALWAYS BE NUMBERED AS SHOWN.

| | | | |
|---|---------|-------------------------|--------------|
| REV. DESC: REVISE TO SHOW OPTIONAL COLORS | | | |
| REV. LTR: E | BY: JLP | REVISED: 01/19/99 10:15 | TDR: 0171435 |
| 9000D | | FILE: AAA00005140 | MDL: - |
| | | MTL: - | |

BALDOR ELECTRIC Co.

3PH, DV, 9 LEADS

CD0005