

BALDOR® • *RELIANCE*

Product Information Packet

NM3454

.25HP, 1725RPM, 3PH, 60HZ, 48, 3413M, TENV, F1

Copyright © All product information within this document is subject to Baldor Electric Company copyright © protection, unless otherwise noted.

Part Detail							
Revision:	M	Status:	PRD/A	Change #:		Proprietary:	No
Type:	AC	Prod. Type:	3413M	Elec. Spec:	34WG0139	CD Diagram:	
Enclosure:	TENV	Mfg Plant:		Mech. Spec:	34A075	Layout:	
Frame:	48	Mounting:	F1	Poles:	04	Created Date:	
Base:	RG	Rotation:	R	Insulation:	F	Eff. Date:	06-11-2007
Leads:	9#18	Literature:		Elec. Diagram:		Replaced By:	

Nameplate NP1256L									
CAT.NO.	NM3454								
SPEC.	34A75-139G1								
HP	.25								
VOLTS	230/460								
AMP	1/5								
RPM	1725								
FRAME	48	HZ	60	PH	3				
SER.F.	1.35	CODE	K	DES	B	CLASS	F		
NEMA-NOM-EFF	68	PF	66						
RATING	40C AMB-CONT								
CC				USABLE AT 208V	1.2				
DE	6203	ODE	6203						
ENCL	TENV	SN							
	SFA 1.1/.55								

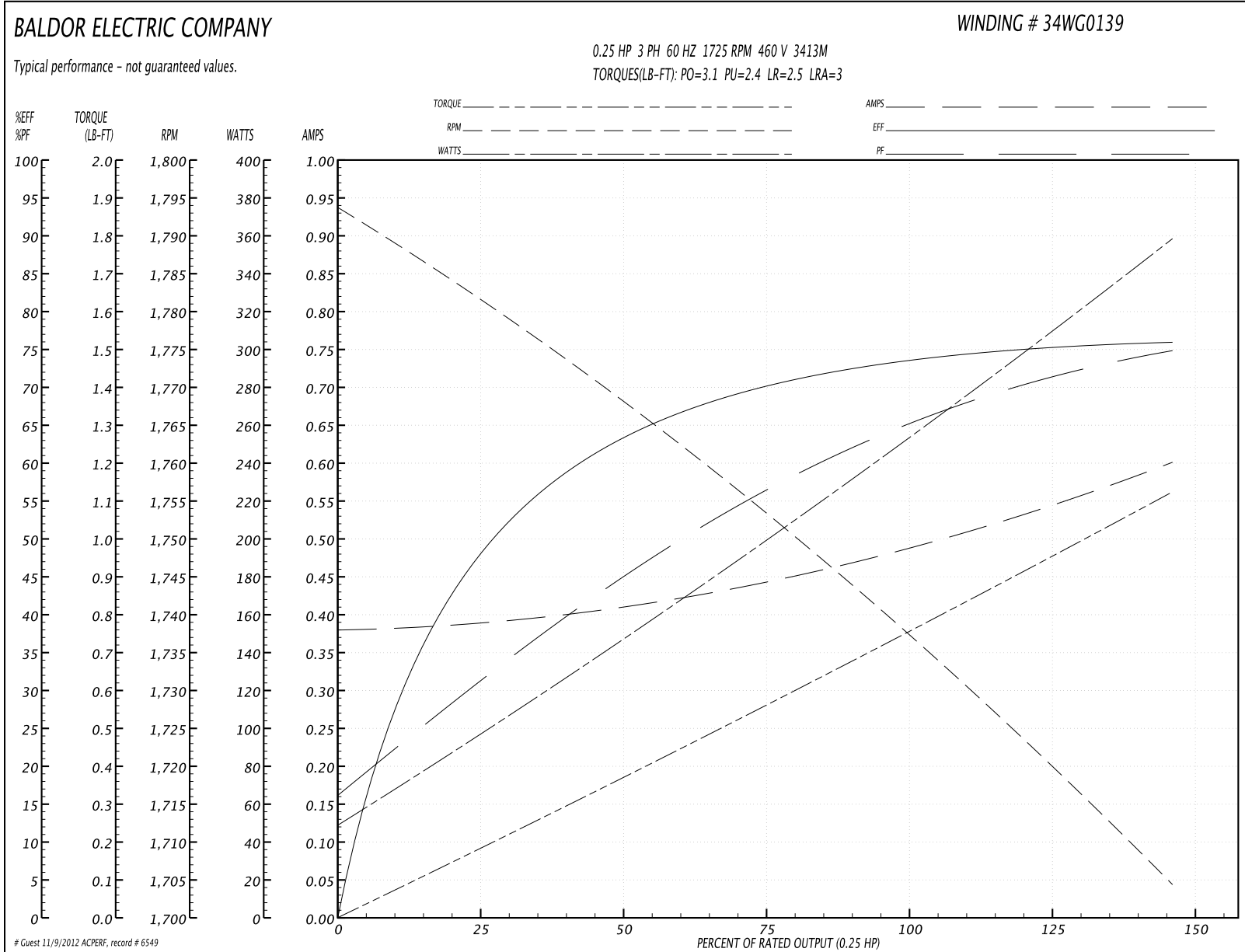
Parts List		
Part Number	Description	Quantity
SA009928	SA 34A75-139G1	1.000 EA
RA006373	RA 34A75-139G1	1.000 EA
NS2512A01	INSULATOR, CONDUIT BOX X	1.000 EA
34CB3002A	CB CAST W/.88 DIA HOLE	1.000 EA
34GS1029A01	GASKET, CONDUIT BOX	1.000 EA
51XB1016A07	10-16 X 7/16 HXWSSLD SERTYB	2.000 EA
11XW1032G06	10-32 X .38, TAPTITE II, HEX WSHR SLTD U	1.000 EA
34EP3100A03SP	FR ENDPLATE, MACH	1.000 EA
HW5100A03SP	WAVY WASHER (W1543-017)	1.000 EA
34EP3102A02SP	FR/PU ENDPLATE, MACH	1.000 EA
XY1032A02	10-32 HEX NUT DIRECTIONAL SERRATION	4.000 EA
34CB4517	CB LID 4 MTG HOLES .22 DIA STAMPED, FOR	1.000 EA
34GS1031A01	GASKET, FLAT CONDUIT BOX LID (LEXIDE)	1.000 EA
51XW0832A07	8-32 X .44, TAPTITE II, HEX WSHR SLTD SE	4.000 EA
MG1000G27	PAINT- S9282E CHARCOAL GREY	0.014 GA
10XF0440S02	04-40 X 1/8 TYPE F HEX HD STAINLESS STIC	2.000 EA
HA3100A12	THRUBOLT 10-32 X 7.375	4.000 EA
LB5040	INSTRUCTION TAG, AC & DC	1.000 EA
LB1125C01	STD (STOCK) CARTON LABEL BALDOR WITH FLA	1.000 EA
LC0005E01	CONN.DIA./WARNING LABEL (LC0005/LB1119)	1.000 EA
NP1256L	ALUM UL CSA CC	1.000 EA
34PA1002	PACKING GROUP, BALDOR	1.000 EA

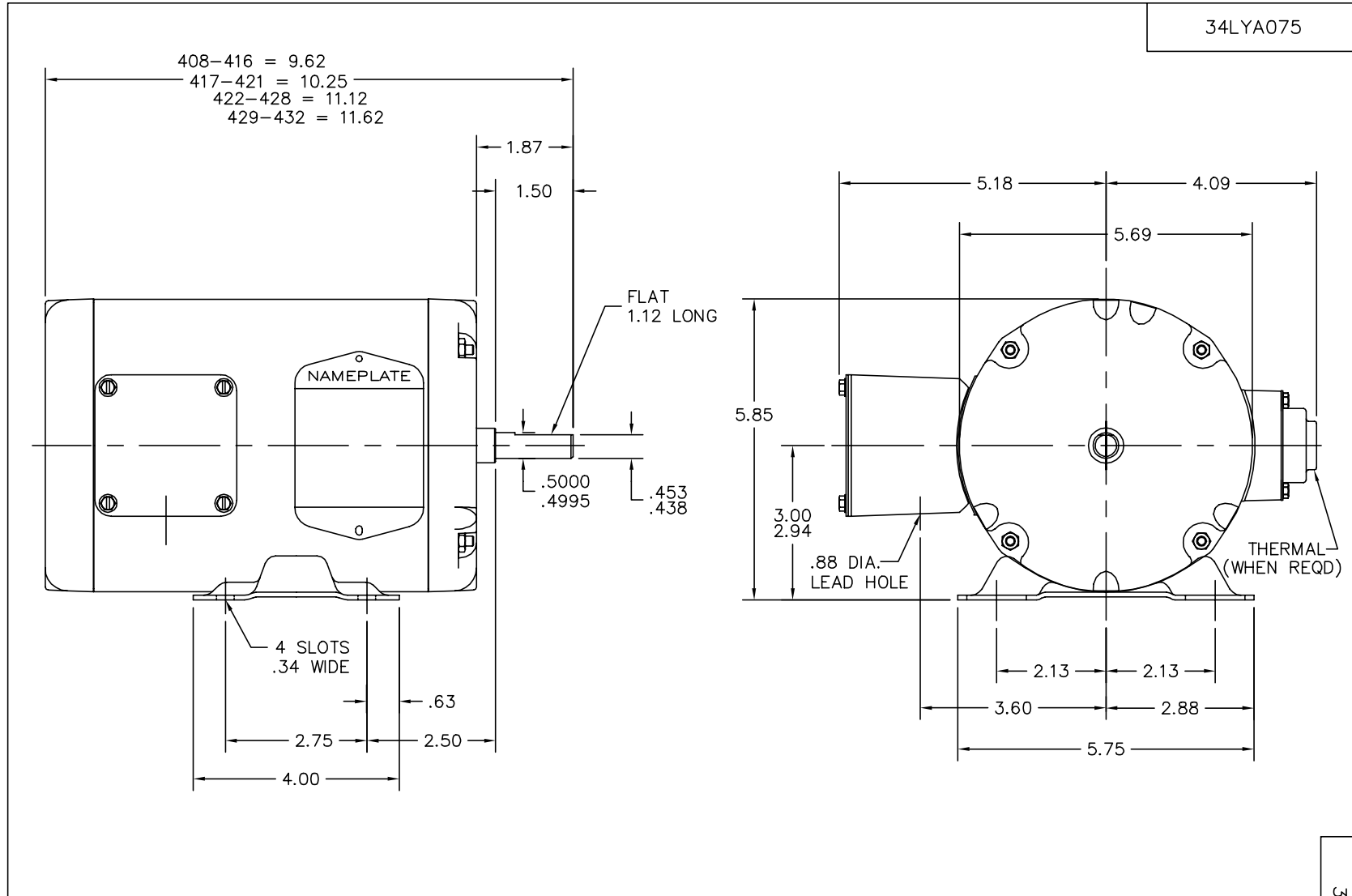
Accessories		
Part Number	Description	Multiplier
34-3900T	C-FACE KIT	A8

Performance Data at 460V, 60Hz, 0.25HP (Typical performance - Not guaranteed values)

General Characteristics							
Full Load Torque:	0.75 LB-FT			Start Configuration:	DOL		
No-Load Current:	0.38 Amps			Break-Down Torque:	3.1 LB-FT		
Line-line Res. @ 25°C.:	60.4 Ohms A Ph / 0.0 Ohms B Ph			Pull-Up Torque:	2.4 LB-FT		
Temp. Rise @ Rated Load:	36 C			Locked-Rotor Torque:	2.5 LB-FT		
Temp. Rise @ S.F. Load:	44 C			Starting Current:	3.0 Amps		
Load Characteristics							
% of Rated Load	25	50	75	100	125	150	S.F.
Power Factor:	32.0	45.0	56.0	65.0	72.0	77.0	75.0
Efficiency:	48.0	63.4	70.3	73.7	75.3	75.8	75.9
Speed:	1781.0	1768.0	1753.0	1738.0	1722.0	1704.0	1716.0
Line Amperes:	0.39	0.41	0.44	0.49	0.54	0.6	0.56

Performance Graph at 460V, 60Hz, 0.25HP Typical performance - Not guaranteed values





CUSTOMER IS RESPONSIBLE FOR DETERMINING THAT MOTOR PERFORMANCE IS SUITABLE IN THE APPLICATION.

REV. DESC: UPDATED GRAPHIC, LOADED TO ACAD			
REV. LTR: C	BY: RT	REVISED: 14:42:14 07/30/2004	TDR: 339360
34LYA075		FILE: AAA00026171	REF: 34LYA075
		MTL: -	

BALDOR ELECTRIC Co.

STD HORZ MODEL 34M NEMA 48 TENV

34LYA075

CD0005

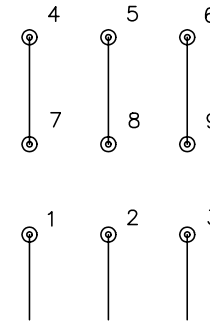


LOW VOLTAGE
(2Y)



LINE

HIGH VOLTAGE
(1Y)



LINE

NOTES:

1. INTERCHANGE ANY TWO LINE LEADS TO REVERSE ROTATION.
2. OPTIONAL THERMOSTATS ARE PROVIDED WHEN SPECIFIED.
3. ACTUAL NUMBER OF INTERNAL PARALLEL CIRCUITS MAY BE A MULTIPLE OF THOSE SHOWN ABOVE.
4. LEAD COLORS ARE OPTIONAL. LEADS MUST ALWAYS BE NUMBERED AS SHOWN.

REV. DESC: REVISE TO SHOW OPTIONAL COLORS			
REV. LTR: E	BY: JLP	REVISED: 01/19/99 10:15	TDR: 0171435
90000		FILE: AAA00005140	MDL: -
		MTL: -	

BALDOR ELECTRIC Co.

3PH, DV, 9 LEADS

CD0005