

BALDOR® • RELIANCE

Product Information Packet

NM3542

.75HP, 1750RPM, 3PH, 60HZ, 56, 3514M, TENV, F1

Copyright © All product information within this document is subject to Baldor Electric Company copyright © protection, unless otherwise noted.

Part Detail							
Revision:	F	Status:	PRD/A	Change #:		Proprietary:	No
Type:	AC	Prod. Type:	3514M	Elec. Spec:	35WGP672	CD Diagram:	
Enclosure:	TENV	Mfg Plant:		Mech. Spec:	35A026	Layout:	
Frame:	56	Mounting:	F1	Poles:	04	Created Date:	02-20-2008
Base:	RG	Rotation:	R	Insulation:	F	Eff. Date:	01-16-2012
Leads:	9#18	Literature:		Elec. Diagram:		Replaced By:	

Nameplate NP1256L									
CAT.NO.	NM3542								
SPEC.	35A026P672G1								
HP	.75								
VOLTS	230/460								
AMP	2.8/1.4								
RPM	1750								
FRAME	56	HZ	60	PH	3				
SER.F.	1.25	CODE	M	DES	B	CLASS	F		
NEMA-NOM-EFF	78.5	PF	66						
RATING	40C AMB-CONT								
CC				USABLE AT 208V	3				
DE	6205	ODE	6203						
ENCL	TENV	SN							
	SFA 3/1.5								

Parts List		
Part Number	Description	Quantity
SA168980	SA 35A026P672G1	1.000 EA
RA157269	RA 35A026P672G1	1.000 EA
NS2512A01	INSULATOR, CONDUIT BOX X	1.000 EA
35CB3007	35 CB CASTING W/.88 DIA. LEAD HOLE	1.000 EA
36GS1000SP	GASKET-CONDUIT BOX, .06 THICK #SV-330 LE	1.000 EA
51XB1016A07	10-16 X 7/16 HXWSSLD SERTYB	2.000 EA
11XW1032G06	10-32 X .38, TAPTITE II, HEX WSHR SLTD U	1.000 EA
35EP3100M69	STD FR EP-TENV-35L OR M--203 BRG	1.000 EA
HW5100A03SP	WAVY WASHER (W1543-017)	1.000 EA
35EP3101A02SP	STD PU ENDPLATE-ENCL-205 BRG LESS GREASE	1.000 EA
XY1032A02	10-32 HEX NUT DIRECTIONAL SERRATION	4.000 EA
35CB4521GX	CONDUIT BOX LID KIT	1.000 EA
51XW0832A07	8-32 X .44, TAPTITE II, HEX WSHR SLTD SE	4.000 EA
HW2501D13SP	KEY, 3/16 SQ X 1.375	1.000 EA
HA7000A04	KEY RETAINER 0.625 DIA SHAFTS	1.000 EA
85XU0407S04	4X1/4 U DRIVE PIN STAINLESS	2.000 EA
MJ1000A75	GREASE, POLYREX EM EXXON	0.050 LB
MG1000G27	PAINT- S9282E CHARCOAL GREY	0.017 GA
HA3100A15	THRUBOLT 10-32 X 8.375	4.000 EA
LB1125C01	STD (STOCK) CARTON LABEL BALDOR WITH FLA	1.000 EA
LC0005E01	CONN.DIA./WARNING LABEL (LC0005/LB1119)	1.000 EA
NP1256L	ALUM UL CSA CC	1.000 EA
PA1000	PACKING GROUP 3500 SHORT	1.000 EA

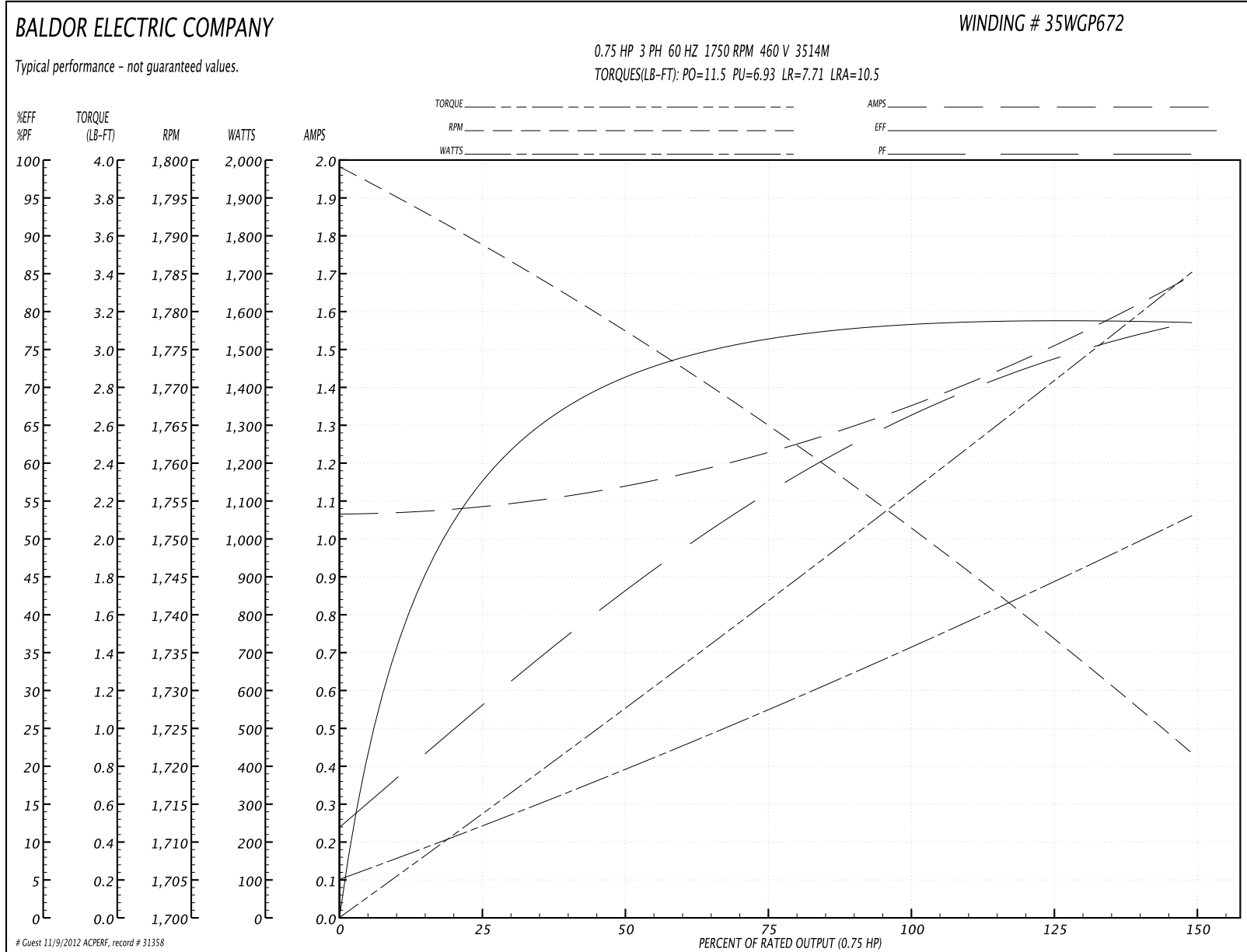
Accessories		
Part Number	Description	Multiplier
35-8762	C FACE KIT	A8
35EP1506A01SP	D-FLANGE KIT	A8

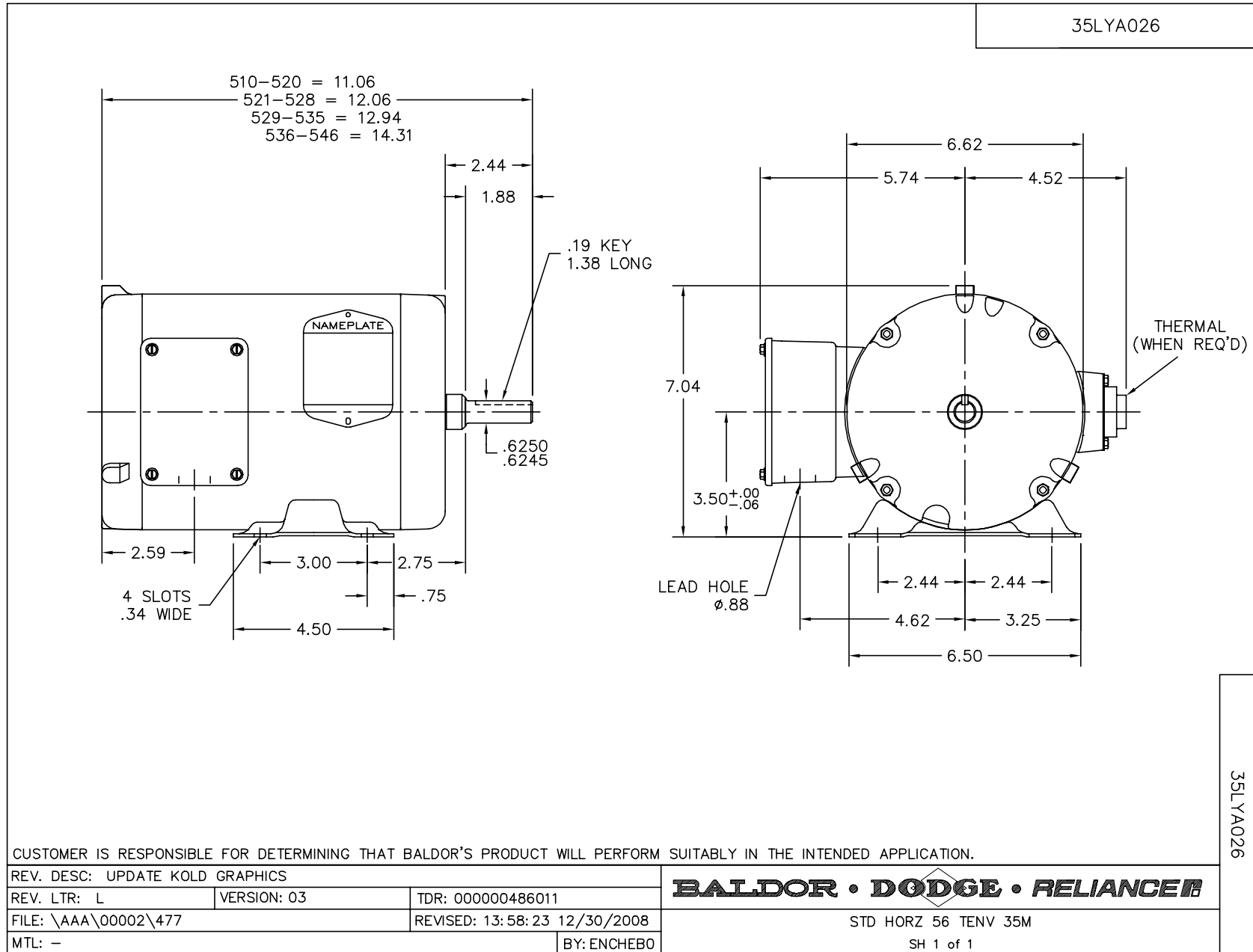
Performance Data at 460V, 60Hz, 0.75HP (Typical performance - Not guaranteed values)

General Characteristics			
Full Load Torque:	2.26 LB-FT	Start Configuration:	DOL
No-Load Current:	1.07 Amps	Break-Down Torque:	11.5 LB-FT
Line-line Res. @ 25°C.:	21.9 Ohms A Ph / 0.0 Ohms B Ph	Pull-Up Torque:	6.93 LB-FT
Temp. Rise @ Rated Load:		Locked-Rotor Torque:	7.71 LB-FT
Temp. Rise @ S.F. Load:		Starting Current:	10.5 Amps

Load Characteristics							
% of Rated Load	25	50	75	100	125	150	S.F.
Power Factor:	28.0	44.0	56.0	66.0	74.0	79.0	74.0
Efficiency:	57.7	71.7	76.6	78.6	79.0	78.6	79.0
Speed:	1789.0	1777.0	1766.0	1751.0	1736.0	1722.0	1736.0
Line Amperes:	1.08	1.14	1.22	1.36	1.52	1.69	1.52

Performance Graph at 460V, 60Hz, 0.75HP Typical performance - Not guaranteed values





CD0005

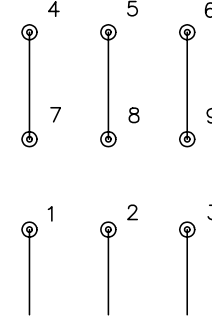


LOW VOLTAGE
(2Y)



LINE

HIGH VOLTAGE
(1Y)



LINE

NOTES:

1. INTERCHANGE ANY TWO LINE LEADS TO REVERSE ROTATION.
2. OPTIONAL THERMOSTATS ARE PROVIDED WHEN SPECIFIED.
3. ACTUAL NUMBER OF INTERNAL PARALLEL CIRCUITS MAY BE A MULTIPLE OF THOSE SHOWN ABOVE.
4. LEAD COLORS ARE OPTIONAL. LEADS MUST ALWAYS BE NUMBERED AS SHOWN.

REV. DESC: REVISE TO SHOW OPTIONAL COLORS			
REV. LTR: E	BY: JLP	REVISED: 01/19/99 10:15	TDR: 0171435
90000		FILE: AAA00005140	MDL: -
		MTL: -	

BALDOR ELECTRIC Co.

3PH, DV, 9 LEADS

CD0005