

BALDOR® • RELIANCE

Product Information Packet

PCL3519M

3HP,3450RPM,1PH,60HZ,56C,3532LC,TEFC,F1

Copyright © All product information within this document is subject to Baldor Electric Company copyright © protection, unless otherwise noted.

Part Detail							
Revision:	Y	Status:	PRD/A	Change #:		Proprietary:	No
Type:	AC	Prod. Type:	3532LC	Elec. Spec:	35WGY870	CD Diagram:	
Enclosure:	TEFC	Mfg Plant:		Mech. Spec:	35T974	Layout:	
Frame:	56C	Mounting:	F1	Poles:	02	Created Date:	06-22-2007
Base:	RG	Rotation:	R	Insulation:	F	Eff. Date:	04-27-2012
Leads:	2#14 A PH,3#18 B&J	Literature:		Elec. Diagram:		Replaced By:	

Nameplate NP1257L									
CAT.NO.	PCL3519M								
SPEC.	35T974Y870								
HP	3								
VOLTS	230								
AMP	12.5								
RPM	3450								
FRAME	56C	HZ			60	PH	1		
SER.F.	1.15	CODE			G	DES	L	CL	F
NEMA-NOM-EFF	85.5	PF			95				
RATING	40C AMB-CONT								
CC				USABLE AT 208V		13.7			
DE	6205	ODE			6203				
ENCL	TEFC	SN							

Parts List		
Part Number	Description	Quantity
SA111045	SA 35T974Y870	1.000 EA
RA102424	RA 35T974Y870	1.000 EA
OC3035F09SP	CYL OIL CAP 35MFD/370V	1.000 EA
TPBRT44DB	THERMAL 1PH 1.25 MAN 120C	1.000 EA
EC1216C06SP	ELEC CAP, 216-259 MFD, 250V, 2.06D X 4.	1.000 EA
WD3006A01	RSS-2-103JT 2W 10K RES. METAL OXIDE 5%	1.000 EA
TP5059	GENERIC THERMAL KIT	1.000 EA
NS2512A01	INSULATOR, CONDUIT BOX X	1.000 EA
35CB3008A16	35 CB .50 NPT @ 6:00, 1.25 MTO @ 3:00	1.000 EA
36GS1000SP	GASKET-CONDUIT BOX, .06 THICK #SV-330 LE	1.000 EA
51XB1016A07	10-16 X 7/16 HXWSSLD SERTYB	2.000 EA
11XW1032G06	10-32 X .38, TAPTITE II, HEX WSHR SLTD U	1.000 EA
35EP3100M02	FREP TEFC 203 BRG W/O GRSR (RAISED FH MT	1.000 EA
51XW0832A07	8-32 X .44, TAPTITE II, HEX WSHR SLTD SE	2.000 EA
NS2501A02	INSULATOR, CAPACITOR BOX	1.000 EA
35CB3801SP	CAPACITOR COVER, CAST	1.000 EA
34GS3002	GASKET, CAPACITOR BOX	1.000 EA
51XB1016A08	10-16X 1/2HXWSSLD SERTYB	2.000 EA
HA7010	CAPACITOR RETENTION CLAMP	1.000 EA
HW5100A03SP	WAVY WASHER (W1543-017)	1.000 EA
35EP3300A33	SPL FACE MTD EP -ENCL-205 BRG	1.000 EA
51XN1032A20	10-32 X 1 1/4 HX WS SL SR	2.000 EA
35FN3002A05SP	EXFN, PLASTIC, 6.376 OD, .638 ID	1.000 EA
MG1000G27	PAINT- S9282E CHARCOAL GREY	0.017 GA

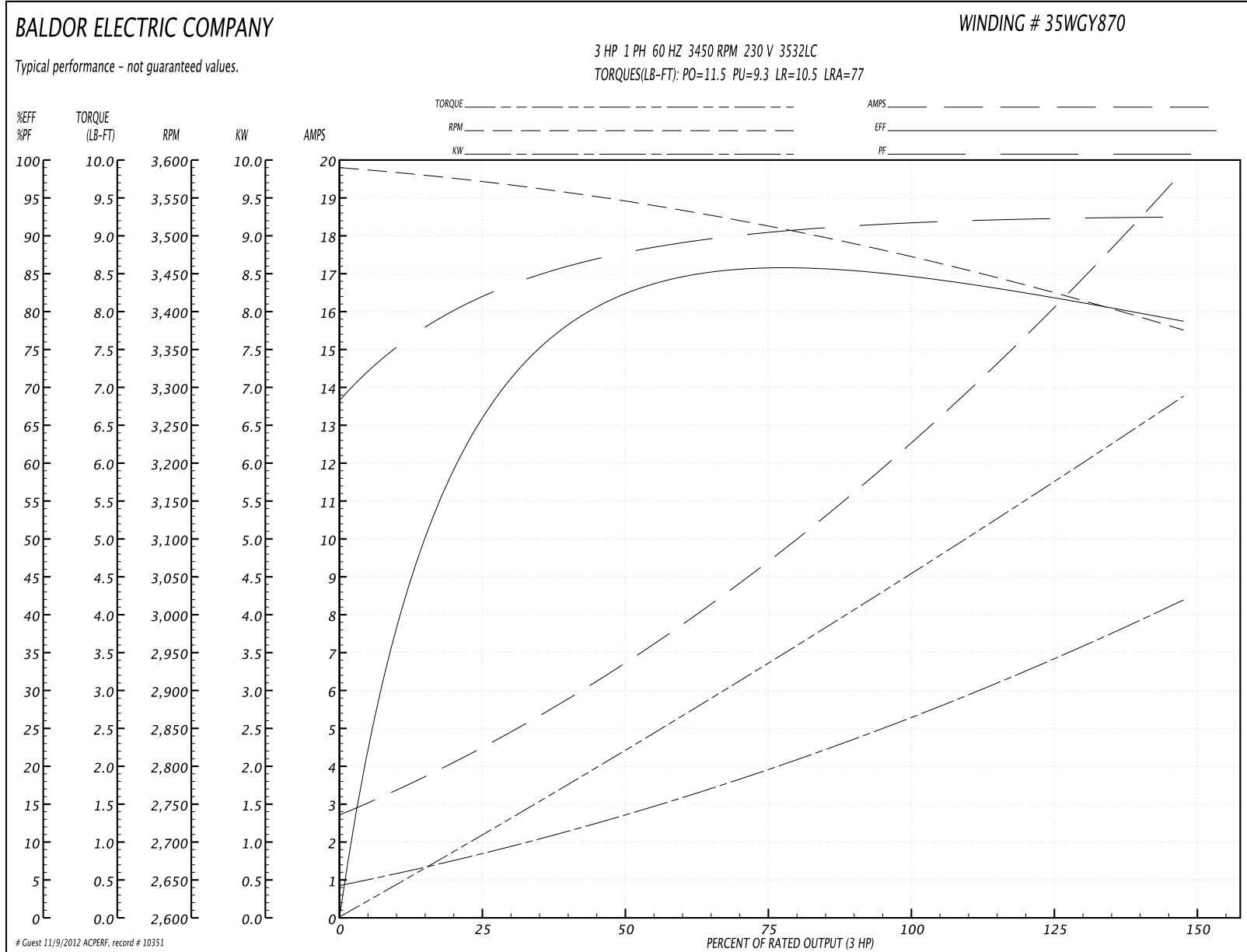
Parts List (continued)		
Part Number	Description	Quantity
51XB1214A16	12-14X1.00 HXWSSLD SERTYB	1.000 EA
51XW1032A06	10-32 X .38, TAPTITE II, HEX WSHR SLTD S	3.000 EA
35GS1030	35 GS FOR CB LID - LEXIDE	1.000 EA
51XW0832A07	8-32 X .44, TAPTITE II, HEX WSHR SLTD SE	4.000 EA
HW2501D13SP	KEY, 3/16 SQ X 1.375	1.000 EA
HA7000A04	KEY RETAINER 0.625 DIA SHAFTS	1.000 EA
85XU0407S04	4X1/4 U DRIVE PIN STAINLESS	2.000 EA
WD1000A15	3-520132-2 AMP FLAG (4M/RL NON-CANC/NON-	4.000 EA
MJ1000A75	GREASE, POLYREX EM EXXON	0.050 LB
35FH4005A32SP	IEC FH NO GRSR W/3 HOLES - W/AUTOPHERETI	1.000 EA
35CB4521	35 LIPPED CB LID (GALV & PHOSPH)	1.000 EA
LB1087	LABEL,MANUAL RESET (ROLL LABEL)	1.000 EA
HA3100A18	THRUBOLT 10-32 X 9.250	4.000 EA
SP5181A28	MODEL 35 LC TORQ STAT SWITCH LEAD ASSY	1.000 EA
LB1119	WARNING LABEL	1.000 EA
LB1125C01	STD (STOCK) CARTON LABEL BALDOR WITH FLA	1.000 EA
LC0002	CONNECTION LABEL	1.000 EA
NP1257L	ALUM UL CSA CC THERMAL REV MTG	1.000 EA
36PA1000	PACK GROUP W/LB5001	1.000 EA

Performance Data at 230V, 60Hz, 3.0HP (Typical performance - Not guaranteed values)

General Characteristics			
Full Load Torque:	4.6 LB-FT	Start Configuration:	DOL
No-Load Current:	2.6 Amps	Break-Down Torque:	11.5 LB-FT
Line-line Res. @ 25°C.:	3.06 Ohms A Ph / 1.45 Ohms B Ph	Pull-Up Torque:	9.3 LB-FT
Temp. Rise @ Rated Load:	47 C	Locked-Rotor Torque:	10.5 LB-FT
Temp. Rise @ S.F. Load:	56 C	Starting Current:	77.0 Amps

Load Characteristics							
% of Rated Load	25	50	75	100	125	150	S.F.
Power Factor:	76.0	87.0	92.0	92.0	93.0	92.0	93.0
Efficiency:	72.0	80.0	85.0	85.5	82.0	78.5	85.0
Speed:	3565.0	3540.0	3510.0	3475.0	3430.0	3370.0	3455.0
Line Amperes:	4.6	7.2	9.6	12.5	16.0	19.9	14.4

Performance Graph at 230V, 60Hz, 3.0HP Typical performance - Not guaranteed values

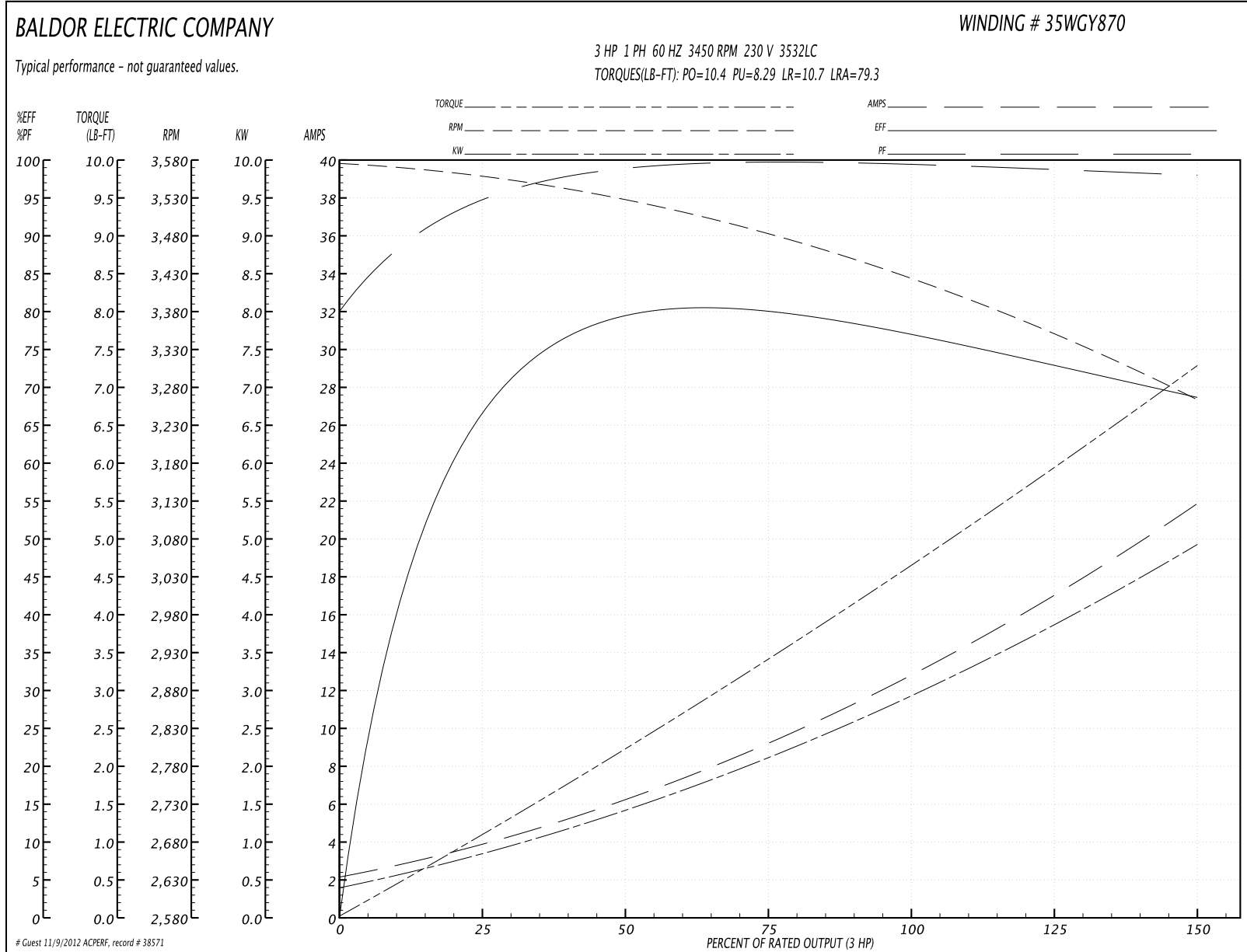


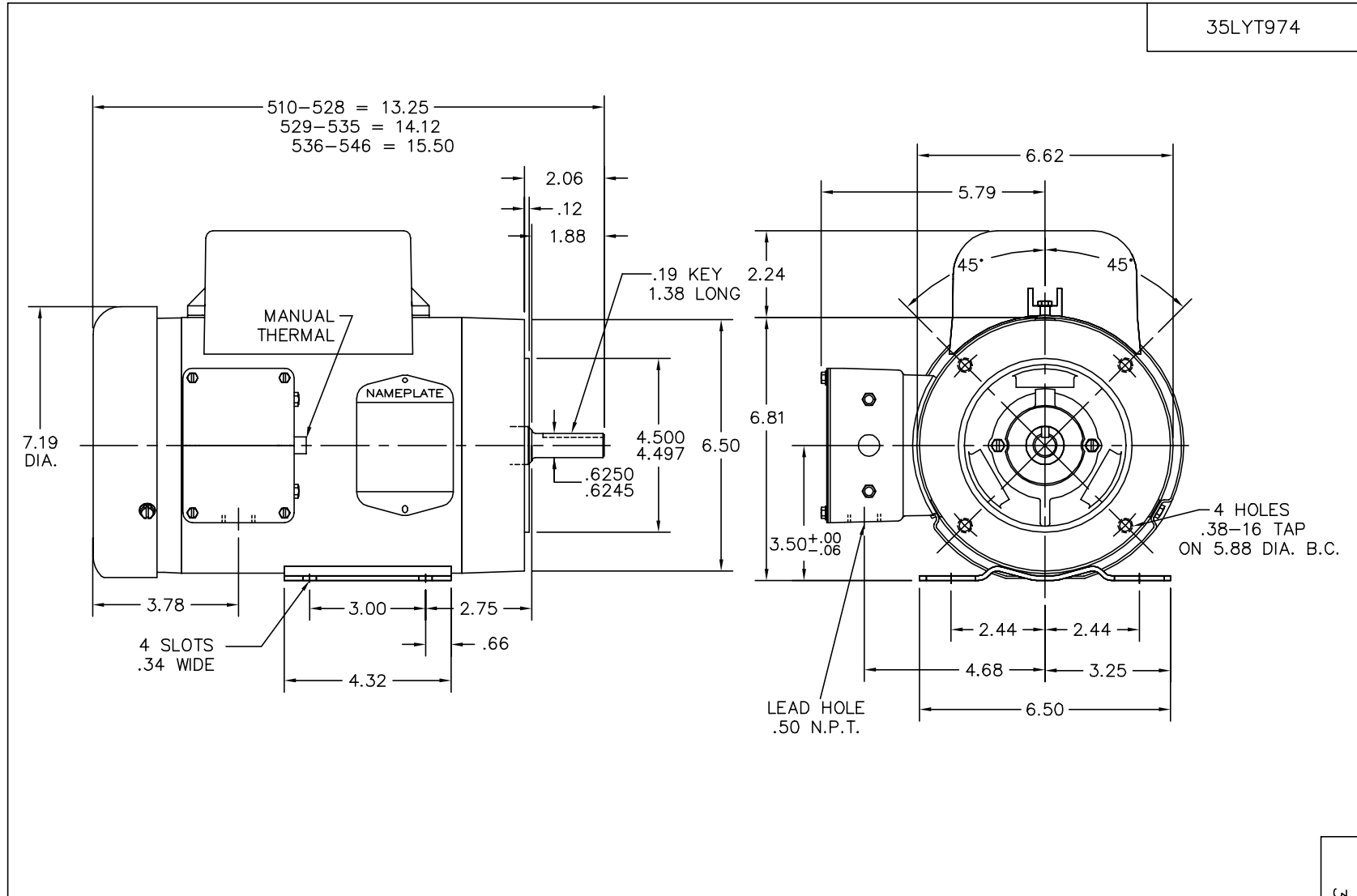
Performance Data at 230V, 60Hz, 3.0HP (Typical performance - Not guaranteed values)

General Characteristics			
Full Load Torque:	4.65 LB-FT	Start Configuration:	DOL
No-Load Current:	1.97 Amps	Break-Down Torque:	10.4 LB-FT
Line-line Res. @ 25°C.:	0.80257 Ohms A Ph / 1.4763 Ohms B Ph	Pull-Up Torque:	8.29 LB-FT
Temp. Rise @ Rated Load:	104 C	Locked-Rotor Torque:	10.7 LB-FT
Temp. Rise @ S.F. Load:	136 C	Starting Current:	79.3 Amps

Load Characteristics							
% of Rated Load	25	50	75	100	125	150	S.F.
Power Factor:	95.0	98.0	100.0	100.0	99.0	98.0	99.0
Efficiency:	66.4	76.2	79.4	78.2	74.4	67.8	75.9
Speed:	3553.8	3518.2	3479.4	3428.6	3362.2	3254.4	3389.0
Line Amperes:	4.09	6.62	9.37	12.7	16.6	22.2	15.0

Performance Graph at 230V, 60Hz, 3.0HP Typical performance - Not guaranteed values





CUSTOMER IS RESPONSIBLE FOR DETERMINING THAT MOTOR PERFORMANCE IS SUITABLE IN THE APPLICATION.

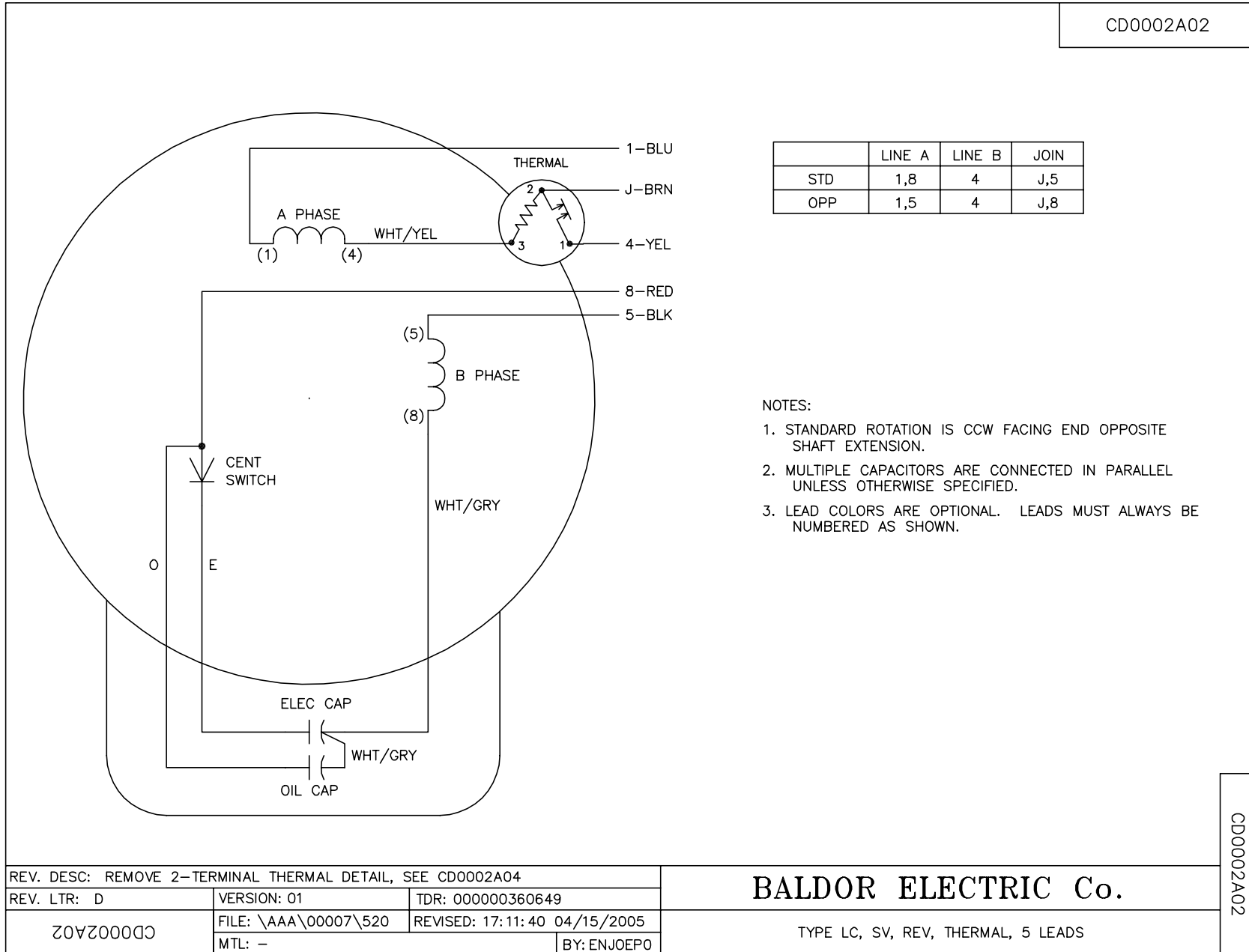
REV. DESC: NEW			
REV. LTR: -	BY: KCT	REVISED: 16:11:28 11/18/2003	TDR: 317882
47974		FILE: AAA00111465	REF: 35LYT974
		MTL: -	

BALDOR ELECTRIC Co.

HOR 56C TEFC LC W/1.25" MTO, 2 POLE "W" BASE(35BA4010)

35LYT974

CD0002A02



CD0002A02

REV. DESC: REMOVE 2-TERMINAL THERMAL DETAIL, SEE CD0002A04		
REV. LTR: D	VERSION: 01	TDR: 000000360649
Z0VZ00000 CD0002A02	FILE: \AAA\00007\520	REVISED: 17:11:40 04/15/2005
	MTL: -	BY: ENJOEPO

BALDOR ELECTRIC Co.

TYPE LC, SV, REV, THERMAL, 5 LEADS