

BALDOR® • RELIANCE

Product Information Packet

PL1327M

5HP,3450RPM,1PH,60HZ,56/56H,3535LC,ODTF

Copyright © All product information within this document is subject to Baldor Electric Company copyright © protection, unless otherwise noted.

Part Detail							
Revision:	AG	Status:	PRD/A	Change #:		Proprietary:	No
Type:	AC	Prod. Type:	3535LC	Elec. Spec:	35WGS322	CD Diagram:	
Enclosure:	ODTF	Mfg Plant:		Mech. Spec:	35L203	Layout:	
Frame:	56/56H	Mounting:	F1	Poles:	02	Created Date:	06-22-2007
Base:	RG	Rotation:	R	Insulation:	F	Eff. Date:	03-12-2012
Leads:	2#12 A PH,3#18 B&J	Literature:		Elec. Diagram:		Replaced By:	

Nameplate NP1257L									
CAT.NO.	PL1327M								
SPEC.	35L203S322								
HP	5								
VOLTS	230								
AMP	23								
RPM	3450								
FRAME	56/56H	HZ	60	PH	1				
SER.F.	1.00	CODE	F	DES	-	CL	F		
NEMA-NOM-EFF	74.2	PF	95						
RATING	40C AMB-CONT								
CC	USABLE AT 208V			24					
DE	6205	ODE	6203						
ENCL	ODTF	SN							

Parts List		
Part Number	Description	Quantity
SA026850	SA 35L203S322	1.000 EA
RA022899	RA 35L203S322	1.000 EA
OC3050F09SP	CYL OIL CAP 50MFD/370V	1.000 EA
TPBRT34DA	THERMAL 1PH 1.25 MAN 105C	1.000 EA
EC1161C06SP	ELEC CAP, 161-193 MFD, 250V, 2.06D X 4.	1.000 EA
EC1161C06SP	ELEC CAP, 161-193 MFD, 250V, 2.06D X 4.	1.000 EA
WD3006A01	RSS-2-103JT 2W 10K RES. METAL OXIDE 5%	1.000 EA
TP5059	GENERIC THERMAL KIT	1.000 EA
NS2512A01	INSULATOR, CONDUIT BOX X	1.000 EA
36CB3802B01	CPBX 36 W/1.09 DIA LEAD @ 6	1.000 EA
36GS5000	GASKET CONDUIT ADAPTOR	1.000 EA
51XB1016A07	10-16 X 7/16 HXWSSLD SERTYB	3.000 EA
11XW1032G06	10-32 X .38, TAPTITE II, HEX WSHR SLTD U	1.000 EA
HW3001B01	003SS CUP WASHER, FOR #8 SCREW	1.000 EA
HA6003A28	CAPAC. CLAMP MODEL 36 MOTORS PLATED	1.000 EA
51XW0832A07	8-32 X .44, TAPTITE II, HEX WSHR SLTD SE	2.000 EA
35EP3201A04SP	SPL FR EP-OPEN-35L OR M -203 BRG-W/DRIP	1.000 EA
51XW0832A07	8-32 X .44, TAPTITE II, HEX WSHR SLTD SE	2.000 EA
35CB4802A02SP	CAPACITOR COVER, STAMPED X W/AUTOPHORET	1.000 EA
NS2501A01	INSULATOR, CAPACITOR	1.000 EA
51XB1016A05	10-16X5/16HX WA SL SR TYB (F/S)	2.000 EA
HW5100A03SP	WAVY WASHER (W1543-017)	1.000 EA
35EP3200A02	STD PU ENDPLATE-OPEN-205 BRG	1.000 EA
XY1032A02	10-32 HEX NUT DIRECTIONAL SERRATION	4.000 EA

Parts List (continued)		
Part Number	Description	Quantity
35FN3002A05SP	EXFN, PLASTIC, 6.376 OD, .638 ID	1.000 EA
51XB1214A16	12-14X1.00 HXWSSLD SERTYB	1.000 EA
35FH4006A01SP	DRIP COVER,STAMPED,W/ AUTOPHERETIC	1.000 EA
51XW1032A06	10-32 X .38, TAPTITE II, HEX WSHR SLTD S	3.000 EA
36CB4505	CONDUIT BOX LID, STAMPED	1.000 EA
36GS3006	GASKET, CAP BOX LID	1.000 EA
51XW0832A07	8-32 X .44, TAPTITE II, HEX WSHR SLTD SE	4.000 EA
HW2501D13SP	KEY, 3/16 SQ X 1.375	1.000 EA
HA7000A04	KEY RETAINER 0.625 DIA SHAFTS	1.000 EA
85XU0407S04	4X1/4 U DRIVE PIN STAINLESS	2.000 EA
LB1087	LABEL,MANUAL RESET (ROLL LABEL)	1.000 EA
MJ1000A75	GREASE, POLYREX EM EXXON	0.050 LB
MG1000G27	PAINT- S9282E CHARCOAL GREY	0.017 GA
HA3100A22	THRUBOLT 10-32 X 10.125	4.000 EA
WD1000A15	3-520132-2 AMP FLAG (4M/RL NON-CANC/NON-	6.000 EA
SP5181A27	MODEL 35 LC TORQ STAT SWITCH LEAD ASSY	1.000 EA
LB1119	WARNING LABEL	1.000 EA
LB1125C01	STD (STOCK) CARTON LABEL BALDOR WITH FLA	1.000 EA
LC0002	CONNECTION LABEL	1.000 EA
NP1257L	ALUM UL CSA CC THERMAL REV MTG	1.000 EA
36PA1000	PACK GROUP W/LB5001	1.000 EA

Accessories		
Part Number	Description	Multiplier
35-8764	C FACE KIT	A8
35EP1604A01SP	D-FLANGE KIT	A8

Performance Data at 230V, 60Hz, 5.0HP (Typical performance - Not guaranteed values)

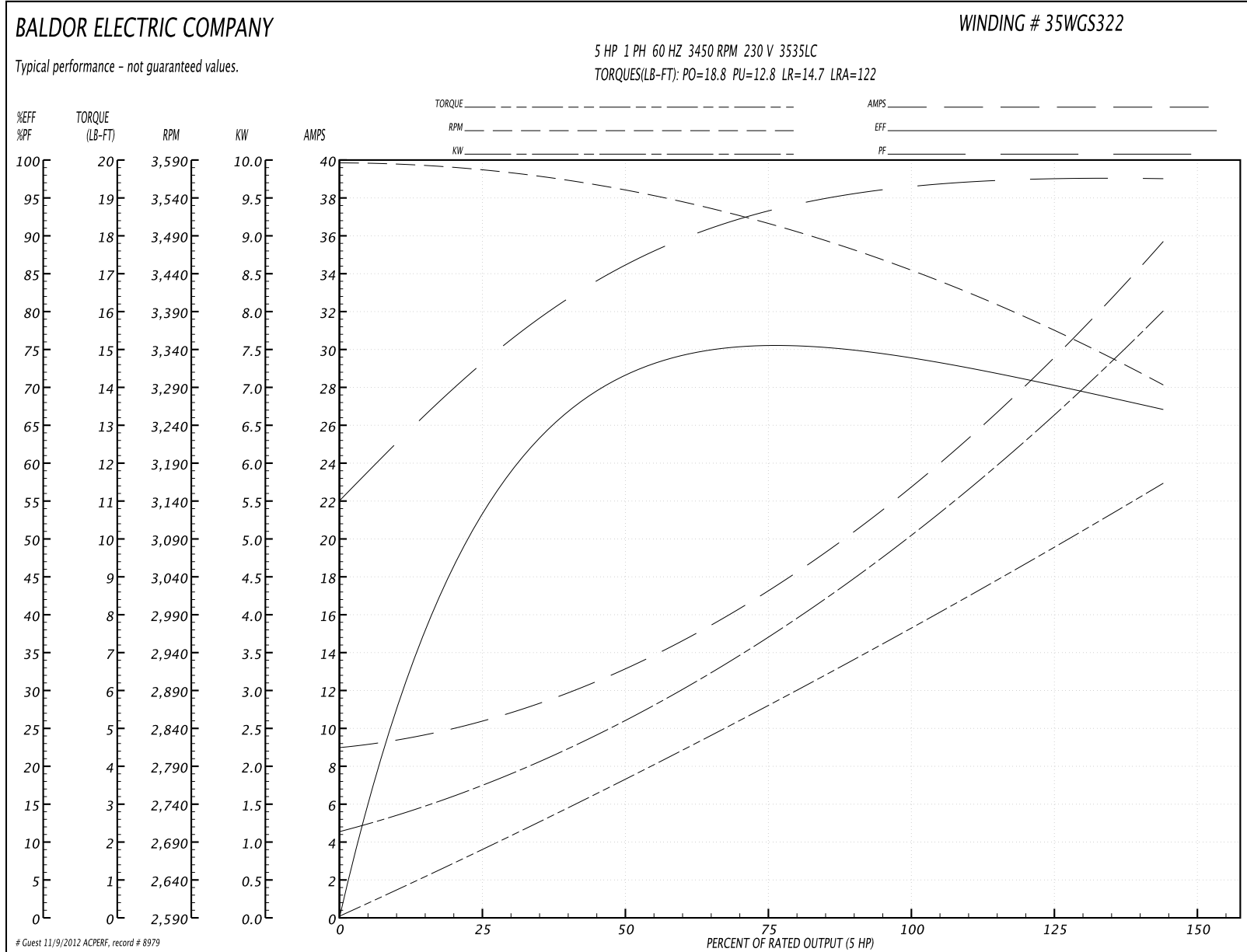
General Characteristics

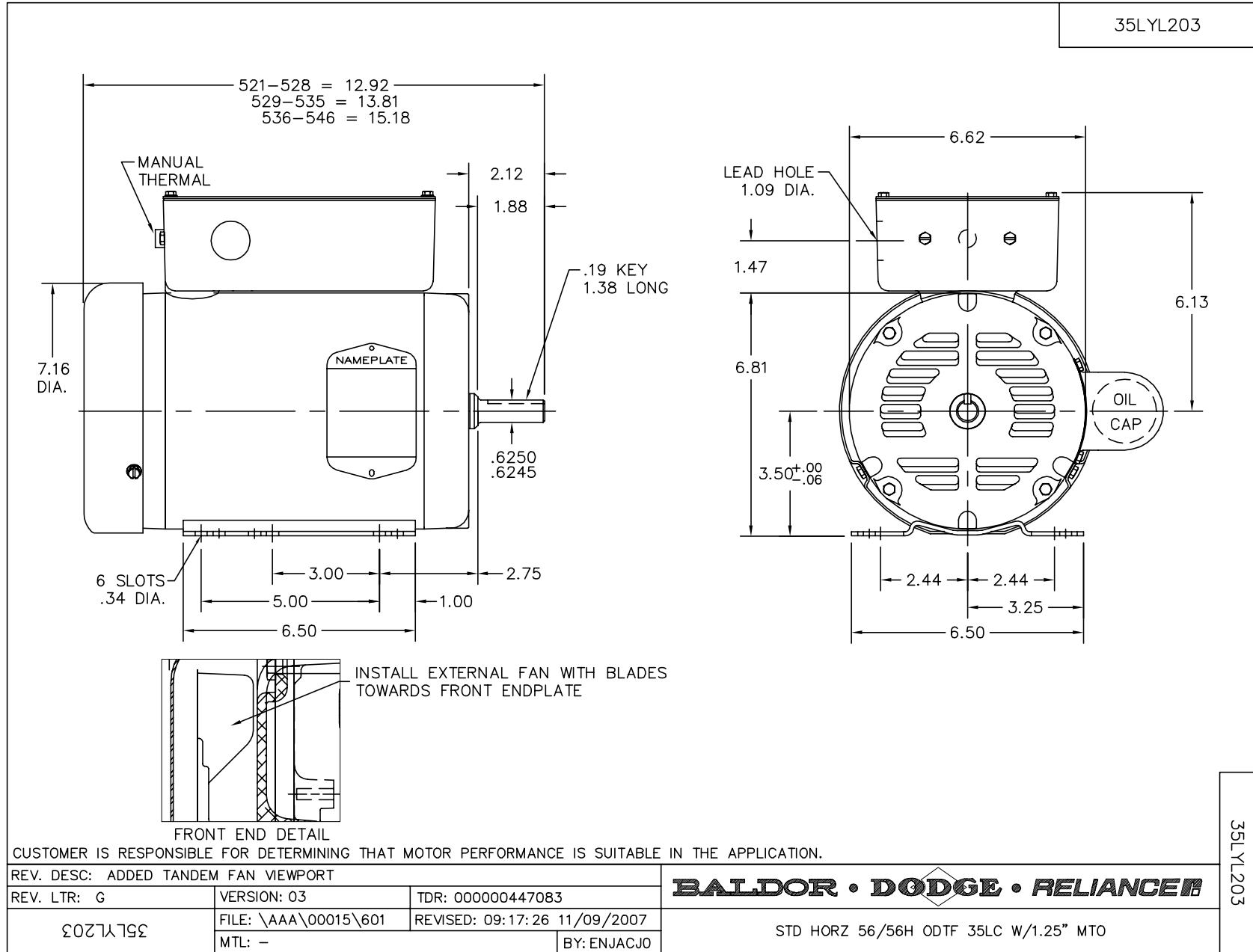
Full Load Torque:	7.7 LB-FT	Start Configuration:	DOL
No-Load Current:	8.9 Amps	Break-Down Torque:	18.8 LB-FT
Line-line Res. @ 25°C.:	0.535 Ohms A Ph / 1.1 Ohms B Ph	Pull-Up Torque:	12.8 LB-FT
Temp. Rise @ Rated Load:	89 C	Locked-Rotor Torque:	14.7 LB-FT
Temp. Rise @ S.F. Load:		Starting Current:	122.0 Amps

Load Characteristics

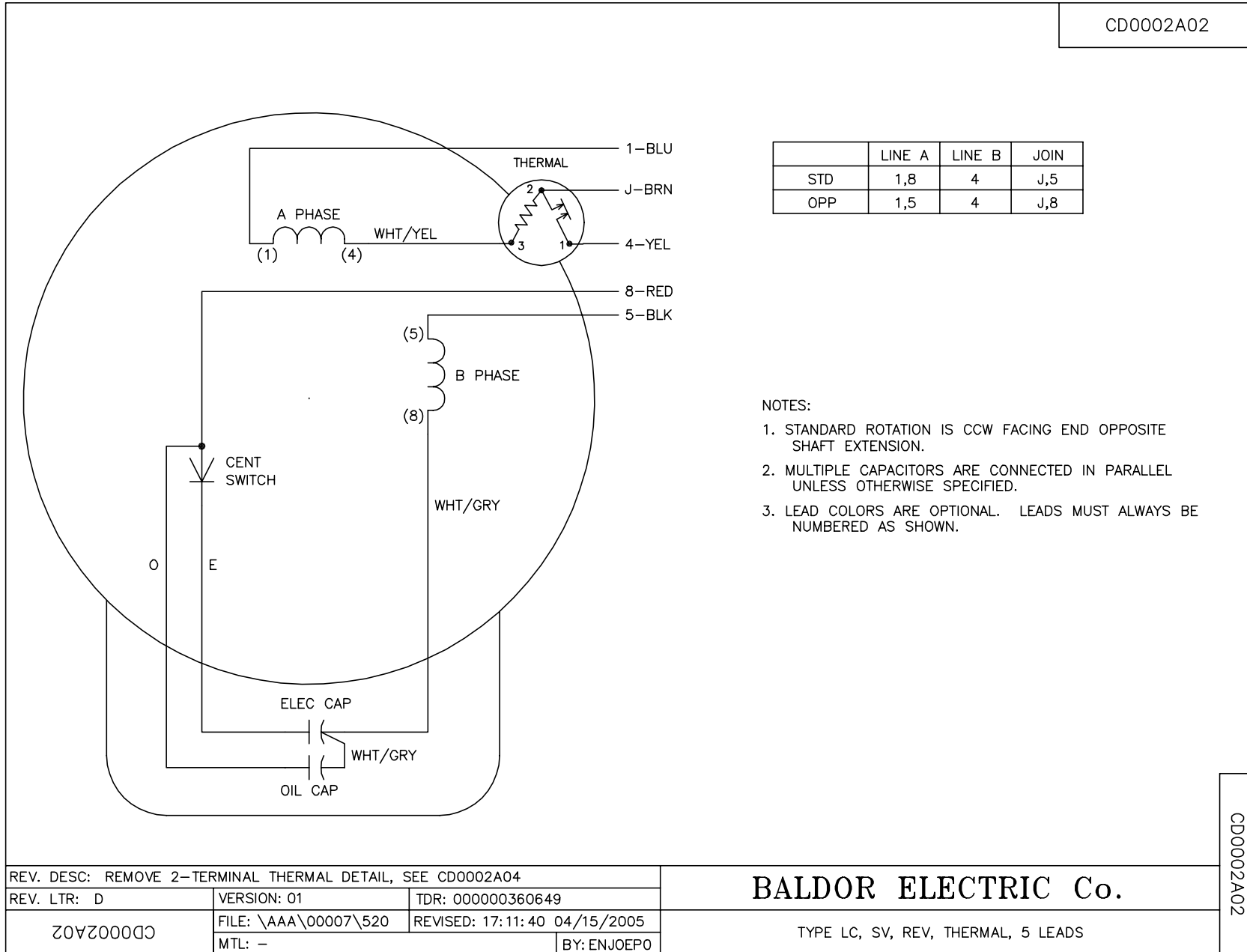
% of Rated Load	25	50	75	100	125	150	S.F.
Power Factor:	78.0	89.0	94.0	95.0	96.0	95.0	0.0
Efficiency:	56.5	69.5	74.5	74.2	72.5	66.0	0.0
Speed:	3570.0	3535.0	3500.0	3450.0	3390.0	3275.0	0.0
Line Amperes:	10.4	13.7	17.8	23.0	28.6	36.2	0.0

Performance Graph at 230V, 60Hz, 5.0HP Typical performance - Not guaranteed values





CD0002A02



CD0002A02

REV. DESC: REMOVE 2-TERMINAL THERMAL DETAIL, SEE CD0002A04		
REV. LTR: D	VERSION: 01	TDR: 000000360649
Z0VZ0000C CD0002A02	FILE: \AAA\00007\520	REVISED: 17:11:40 04/15/2005
	MTL: -	BY: ENJOEPO

BALDOR ELECTRIC Co.

TYPE LC, SV, REV, THERMAL, 5 LEADS