

BALDOR® • RELIANCE

Product Information Packet

PL3515M

2HP,3450RPM,1PH,60HZ,56,3524LC,TEFC,F1

Copyright © All product information within this document is subject to Baldor Electric Company copyright © protection, unless otherwise noted.

Part Detail									
Revision:	U	Status:	PRD/A	Change #:		Proprietary:	No		
Type:	AC	Prod. Type:	3524LC	Elec. Spec:	35WGY691	CD Diagram:			
Enclosure:	TEFC	Mfg Plant:		Mech. Spec:	35T962	Layout:			
Frame:	56	Mounting:	F1	Poles:	02	Created Date:	06-22-2007		
Base:	RG	Rotation:	R	Insulation:	F	Eff. Date:	04-27-2012		
Leads:	4#16 A&J,2#18 B PH,1#	Literature:		Elec. Diagram:		Replaced By:			
Nameplate NP1257L									
CAT.NO.	PL3515M								
SPEC.	35T962Y691								
HP	2								
VOLTS	115/230								
AMP	17.6/8.8								
RPM	3450								
FRAME	56	HZ	60			PH	1		
SER.F.	1.15	CODE	F			DES	L	CL	F
NEMA-NOM-EFF	77	PF	95						
RATING	40C AMB-CONT								
CC				USABLE AT 208V					
DE	6205	ODE	6203						
ENCL	TEFC	SN							

Parts List		
Part Number	Description	Quantity
SA111047	SA 35T962Y691	1.000 EA
RA102426	RA 35T962Y691	1.000 EA
OC3060C09	CYL OIL CAP 60MFD/240V	1.000 EA
TPCRT51CB	THERMAL 1PH 1.00 MAN 120CWELDED	1.000 EA
EC1400A03SP	ELEC CAP, 400-480 MFD, 125V, 1.81D X 3.	1.000 EA
WD3006A01	RSS-2-103JT 2W 10K RES. METAL OXIDE 5%	1.000 EA
TP5059	GENERIC THERMAL KIT	1.000 EA
NS2512A01	INSULATOR, CONDUIT BOX X	1.000 EA
35CB3007A17	35 CB .88 DIA @ 6:00, 1.00 MTO @ 3:00	1.000 EA
36GS1000SP	GASKET-CONDUIT BOX, .06 THICK #SV-330 LE	1.000 EA
51XB1016A07	10-16 X 7/16 HXWSSLD SERTYB	2.000 EA
11XW1032G06	10-32 X .38, TAPTITE II, HEX WSHR SLTD U	1.000 EA
NS2500A02	INSULATOR, MAN THER PROT	1.000 EA
35EP3100M02	FREP TEFC 203 BRG W/O GRSR (RAISED FH MT	1.000 EA
51XW0832A07	8-32 X .44, TAPTITE II, HEX WSHR SLTD SE	2.000 EA
35CB3801SP	CAPACITOR COVER, CAST	1.000 EA
HA7010	CAPACITOR RETENTION CLAMP	1.000 EA
34GS3002	GASKET, CAPACITOR BOX	1.000 EA
NS2501A02	INSULATOR, CAPACITOR BOX	1.000 EA
51XB1016A08	10-16X 1/2HXWSSLD SERTYB	2.000 EA
HW5100A03SP	WAVY WASHER (W1543-017)	1.000 EA
35EP3101A02SP	STD PU ENDPLATE-ENCL-205 BRG LESS GREASE	1.000 EA
XY1032A02	10-32 HEX NUT DIRECTIONAL SERRATION	4.000 EA
35FN3002A05SP	EXFN, PLASTIC, 6.376 OD, .638 ID	1.000 EA

Parts List (continued)		
Part Number	Description	Quantity
51XB1214A16	12-14X1.00 HXWSSLD SERTYB	1.000 EA
35FH4005A32SP	IEC FH NO GRSR W/3 HOLES - W/AUTOPHERETI	1.000 EA
51XW1032A06	10-32 X .38, TAPTITE II, HEX WSHR SLTD S	3.000 EA
35CB4521	35 LIPPED CB LID (GALV & PHOSPH)	1.000 EA
35GS1030	35 GS FOR CB LID - LEXIDE	1.000 EA
51XW0832A07	8-32 X .44, TAPTITE II, HEX WSHR SLTD SE	4.000 EA
HW2501D13SP	KEY, 3/16 SQ X 1.375	1.000 EA
HA7000A04	KEY RETAINER 0.625 DIA SHAFTS	1.000 EA
85XU0407S04	4X1/4 U DRIVE PIN STAINLESS	2.000 EA
LB1087	LABEL,MANUAL RESET (ROLL LABEL)	1.000 EA
WD1000A15	3-520132-2 AMP FLAG (4M/RL NON-CANC/NON-	4.000 EA
MJ1000A75	GREASE, POLYREX EM EXXON	0.050 LB
MG1000G27	PAINT- S9282E CHARCOAL GREY	0.017 GA
SP5181A28	MODEL 35 LC TORQ STAT SWITCH LEAD ASSY	1.000 EA
HA3100A18	THRUBOLT 10-32 X 9.250	4.000 EA
LB1119	WARNING LABEL	1.000 EA
LB1125C01	STD (STOCK) CARTON LABEL BALDOR WITH FLA	1.000 EA
LC0269	1PH,DV,REV,THERMAL,7 LD,LAMP THRU HTR H	1.000 EA
NP1257L	ALUM UL CSA CC THERMAL REV MTG	1.000 EA
35PA1066	PACKING GROUP COMBINED PRINT	1.000 EA

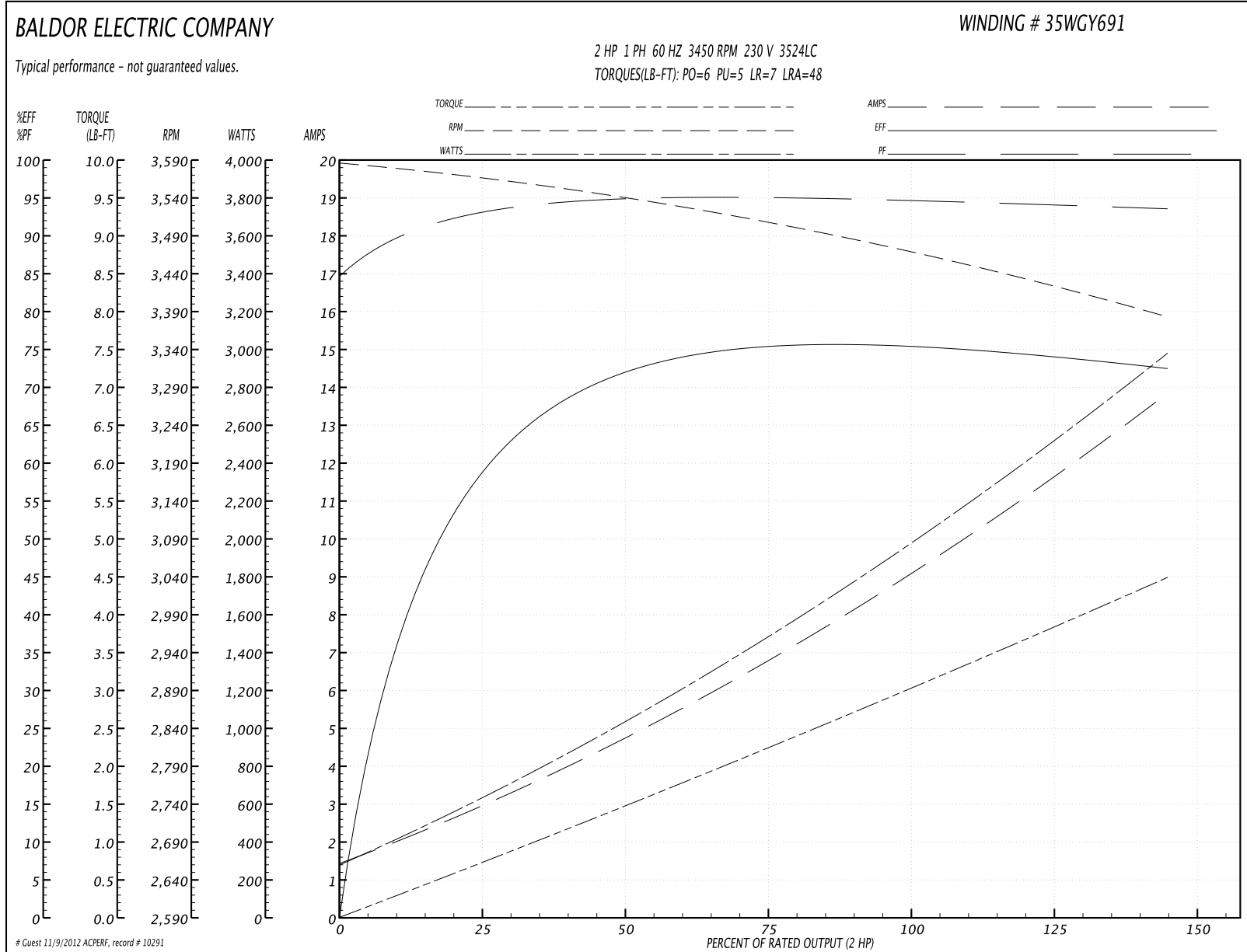
Accessories		
Part Number	Description	Multiplier
35-8762	C FACE KIT	A8
35EP1506A01SP	D-FLANGE KIT	A8

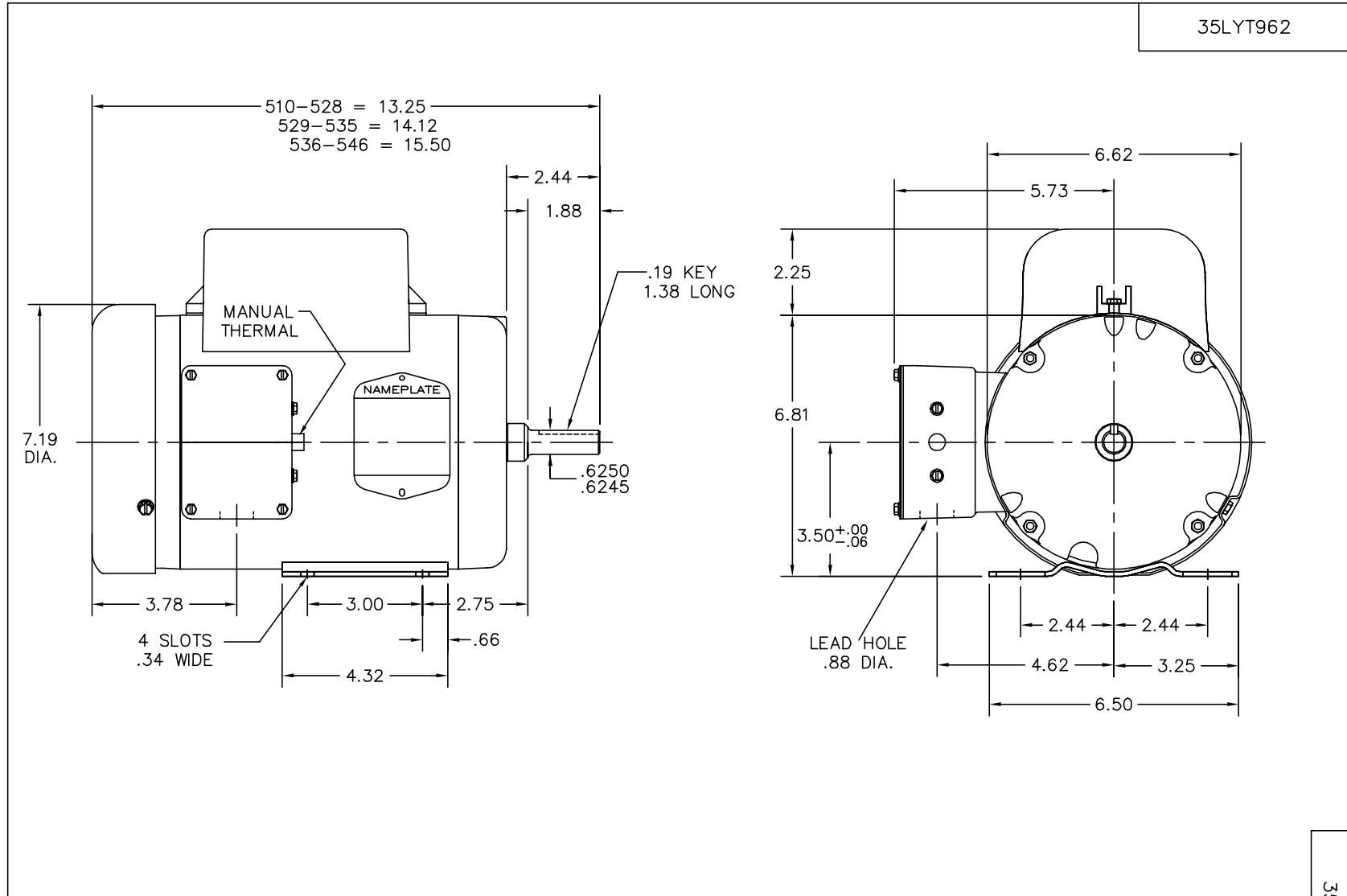
Performance Data at 230V, 60Hz, 2.0HP (Typical performance - Not guaranteed values)

General Characteristics			
Full Load Torque:	3.0 LB-FT	Start Configuration:	DOL
No-Load Current:	1.35 Amps	Break-Down Torque:	6.0 LB-FT
Line-line Res. @ 25°C.:	1.33 Ohms A Ph / 1.27 Ohms B Ph	Pull-Up Torque:	5.0 LB-FT
Temp. Rise @ Rated Load:	66 C	Locked-Rotor Torque:	7.0 LB-FT
Temp. Rise @ S.F. Load:	88 C	Starting Current:	48.0 Amps

Load Characteristics							
% of Rated Load	25	50	75	100	125	150	S.F.
Power Factor:	93.0	93.0	96.0	95.0	95.0	93.0	95.0
Efficiency:	57.0	72.0	76.0	77.0	72.5	73.0	74.3
Speed:	3560.0	3539.0	3508.0	3473.0	3431.0	3380.0	3448.0
Line Amperes:	3.1	4.9	6.7	8.8	11.6	13.8	10.5

Performance Graph at 230V, 60Hz, 2.0HP Typical performance - Not guaranteed values





CUSTOMER IS RESPONSIBLE FOR DETERMINING THAT MOTOR PERFORMANCE IS SUITABLE IN THE APPLICATION.

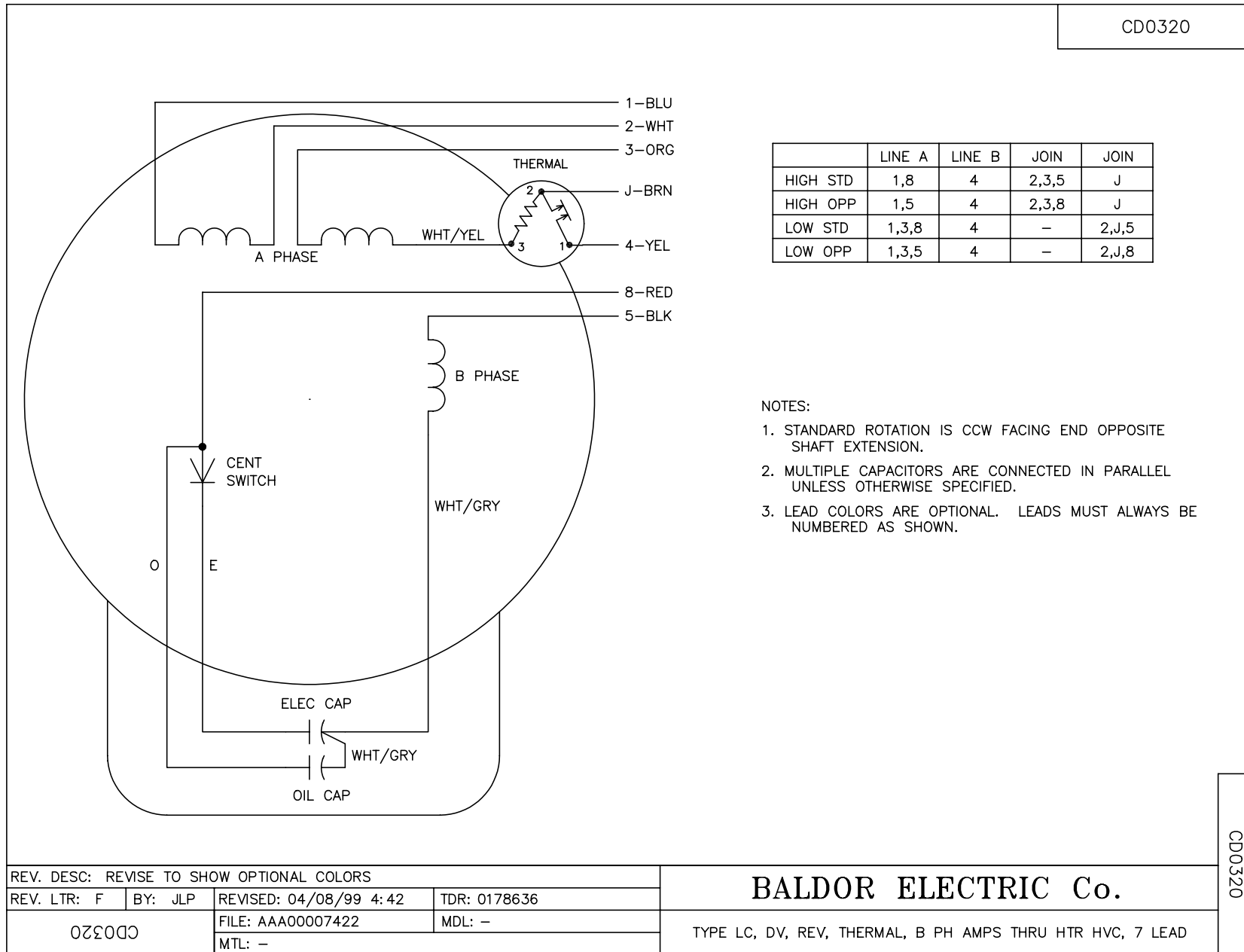
REV. DESC: NEW			
REV. LTR: -	BY: KCT	REVISED: 09:22:10 11/18/2003	TDR: 317762
7961A795		FILE: AAA00111422	REF: 35LYT962
		MTL: -	

BALDOR ELECTRIC Co.

HOR 56 TEFC 35LC W/1" MTO, 2 POLE "W" BASE (35BA4010)

35LYT962

CD0320



REV. DESC: REVISE TO SHOW OPTIONAL COLORS			
REV. LTR: F	BY: JLP	REVISED: 04/08/99 4:42	TDR: 0178636
0320CD		FILE: AAA00007422	MDL: -
		MTL: -	

BALDOR ELECTRIC Co.

TYPE LC, DV, REV, THERMAL, B PH AMPS THRU HTR HVC, 7 LEAD

CD0320