

BALDOR® • **RELIANCE**

Product Information Packet

RL1301A277

.33HP/1725RPM/1PH/OPEN/NEMA 56

Copyright © All product information within this document is subject to Baldor Electric Company copyright © protection, unless otherwise noted.

Part Detail							
Revision:	Q	Status:	PRD/A	Change #:		Proprietary:	No
Type:	AC	Prod. Type:	3414L	Elec. Spec:	34WGW220	CD Diagram:	
Enclosure:	OPEN	Mfg Plant:		Mech. Spec:	34K018	Layout:	
Frame:	56	Mounting:	F1	Poles:	04	Created Date:	
Base:	RS	Rotation:	RS	Insulation:	B	Eff. Date:	11-01-2011
Leads:	5#18	Literature:		Elec. Diagram:		Replaced By:	

Nameplate NP1257L							
CAT.NO.	RL1301A277						
SPEC.	34K18W220						
HP	.33						
VOLTS	277						
AMP	2.5						
RPM	1725						
FRAME	56	HZ	60	PH	1		
SER.F.	1.35	CODE	L	DES	N	CL	B
NEMA-NOM-EFF	60	PF	60				
RATING	40C AMB-CONT						
CC	USABLE AT 208V						
DE	6203	ODE	6203				
ENCL	OPEN	SN					
	SFA 2.8						

Parts List		
Part Number	Description	Quantity
SA008111	SA 34K18W220	1.000 EA
RA004558	RA 34K18W220	1.000 EA
34CB4501SP	TERMINAL BOX LID, STAMPED X (PLATED)	1.000 EA
51XW0832A07	8-32 X .44, TAPTITE II, HEX WSHR SLTD SE	2.000 EA
11XT0832G06	8-32 X 3/8 TY 23 TAPPING	1.000 EA
LD5000A52	LEAD ASSY W/INTERNAL STAR RING TERMINALS	1.000 EA
11XT1032A06	10-32 X 3/8 HX WSHR HD SLTD TYPE 23	2.000 EA
51XW0832A07	8-32 X .44, TAPTITE II, HEX WSHR SLTD SE	3.000 EA
34EP3202A01SP	FR ENDPLATE, MACH	1.000 EA
RM1000A03SP	CUSHION RING, MDL 17-33-34	1.000 EA
HA6004A01A	CLAMP CUSHION RING ASSY	1.000 EA
WD4100A01	DP-875 HEYCO PLUG OR 62MP0875 MICRO PLAS	1.000 EA
RM1000A03SP	CUSHION RING, MDL 17-33-34	1.000 EA
HA6004A01A	CLAMP CUSHION RING ASSY	1.000 EA
NS2500A01	INSULATOR, AUTO THER PROT	1.000 EA
34CB4800SP	CAPACITOR COVER, STAMPED	1.000 EA
51XB1016A05	10-16X5/16HX WA SL SR TYB (F/S)	2.000 EA
WD1000A03	41531 AMP FLG.TERM,4M/REEL(2.5MIL)	1.000 EA
HW5100A03SP	WAVY WASHER (W1543-017)	1.000 EA
34EP3203A01	PU ENDPLATE, MACH	1.000 EA
XY1032A02	10-32 HEX NUT DIRECTIONAL SERRATION	4.000 EA
HW2501D13SP	KEY, 3/16 SQ X 1.375	1.000 EA
HA7000A04	KEY RETAINER 0.625 DIA SHAFTS	1.000 EA
MG1000G27	PAINT- S9282E CHARCOAL GREY	0.014 GA

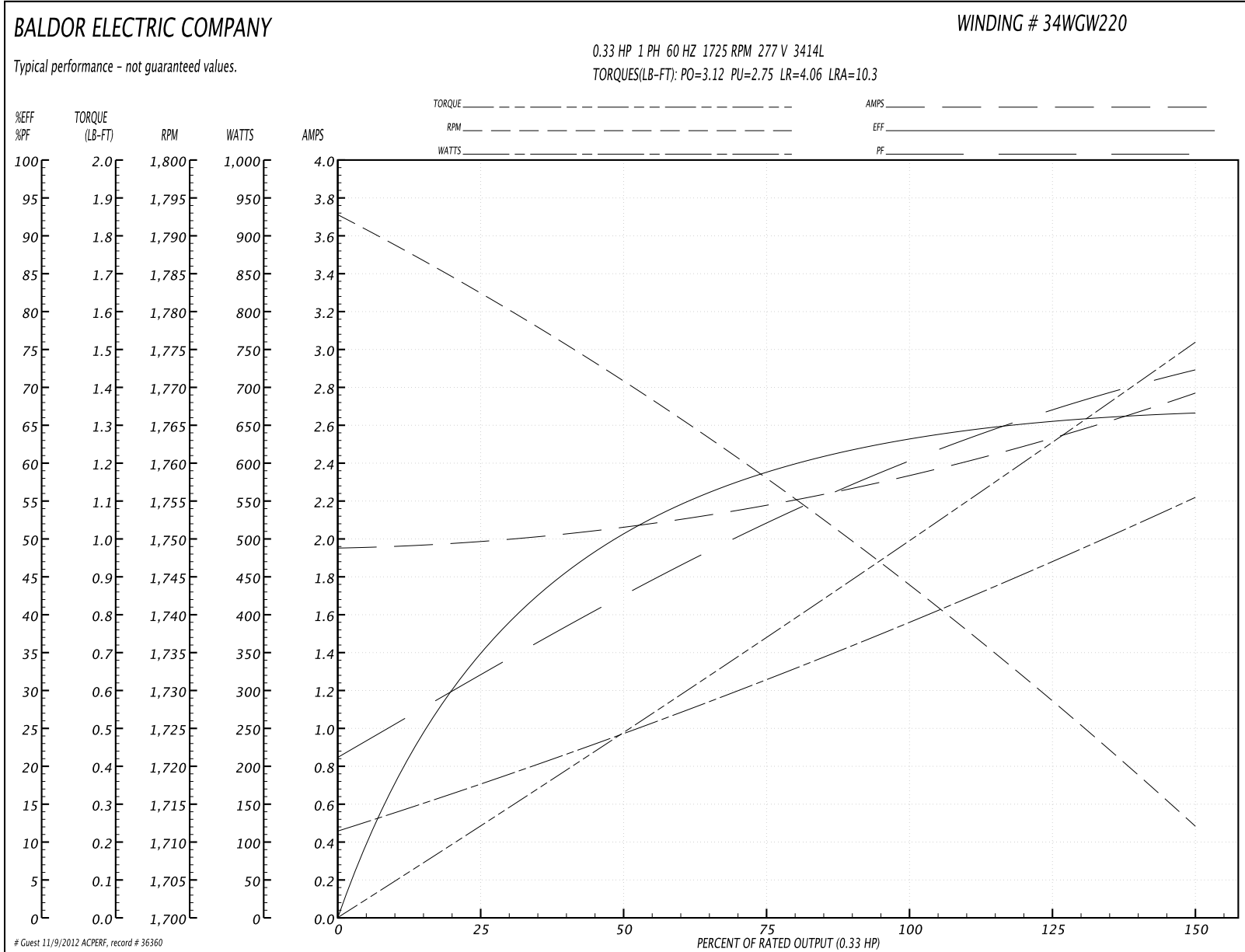
Parts List (continued)		
Part Number	Description	Quantity
10XF0440S02	04-40 X 1/8 TYPE F HEX HD STAINLESS STIC	2.000 EA
34BA4003A01SP	RESILIENT BASE, (LENGTH 8.22")	1.000 EA
EC4043D02	ELEC CAP 330V 1.4 X 3.3	1.000 EA
SP5068A01	34L TERM PANEL STAT SWITCH #E-6"	1.000 EA
HA3100A12	THRUBOLT 10-32 X 7.375	4.000 EA
LB1118	LABEL,WARNING (ROLL LABEL)	1.000 EA
LB1172A01	CUSTOM MTR CARTON LABEL LASER PRINTER	1.000 EA
LC0085	CONNECTION LABEL	1.000 EA
NP1257L	ALUM UL CSA CC THERMAL REV MTG	1.000 EA
34PA1002	PACKING GROUP, BALDOR	1.000 EA

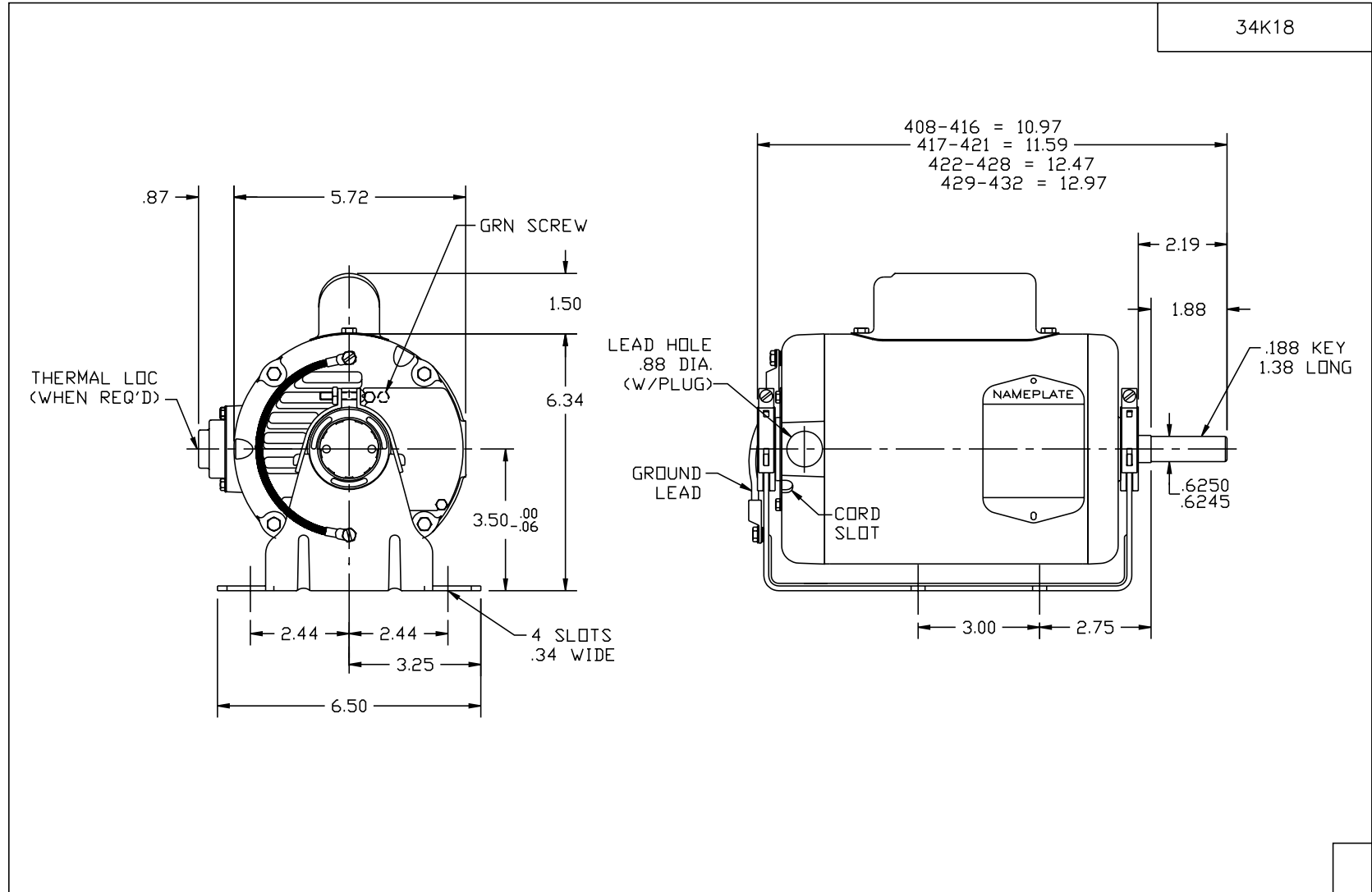
Performance Data at 277V, 60Hz, 0.33HP (Typical performance - Not guaranteed values)

General Characteristics			
Full Load Torque:	0.994 LB-FT	Start Configuration:	DOL
No-Load Current:	1.95 Amps	Break-Down Torque:	3.12 LB-FT
Line-line Res. @ 25°C.:	9.11 Ohms A Ph / 18.4 Ohms B Ph	Pull-Up Torque:	2.75 LB-FT
Temp. Rise @ Rated Load:		Locked-Rotor Torque:	4.06 LB-FT
Temp. Rise @ S.F. Load:		Starting Current:	10.3 Amps

Load Characteristics							
% of Rated Load	25	50	75	100	125	150	S.F.
Power Factor:	32.0	43.0	52.0	60.0	67.0	72.0	69.0
Efficiency:	34.7	50.5	58.7	63.3	65.7	66.6	66.1
Speed:	1782.0	1771.0	1758.0	1744.0	1729.0	1712.0	1722.0
Line Amperes:	1.99	2.06	2.18	2.33	2.53	2.77	2.63

Performance Graph at 277V, 60Hz, 0.33HP Typical performance - Not guaranteed values





CUST. NAME		CUST. P.O.		CERTIFIED BY		MODEL		INSUL		AMB							
H.P.		MTG		TYPE		R.P.M.		VOLTS		ENCL							
PHASE		FREQ		FRAME		BALDOR ELECTRIC Co. STD RESIL MTD MODEL 34L NEMA 56 OPEN W/TERM PLATE											
REMARKS:																	
REV:	B	UPDATE TO ACAD															
81K7E		REF: 34K14	BY: FH	REVISED: 12/19/94													
		FILE: AAA00012624		TDR: 0058639													

34K18

CD0085

