

BALDOR® • RELIANCE

Product Information Packet

RL1307A

.75HP, 1725RPM, 1PH, 60HZ, 56/56H, 3428L, OPEN

Copyright © All product information within this document is subject to Baldor Electric Company copyright © protection, unless otherwise noted.

Part Detail							
Revision:	Z	Status:	PRD/A	Change #:		Proprietary:	No
Type:	AC	Prod. Type:	3428L	Elec. Spec:	34WGW169	CD Diagram:	
Enclosure:	OPEN	Mfg Plant:		Mech. Spec:	34P098	Layout:	
Frame:	56H	Mounting:	F1	Poles:	04	Created Date:	
Base:	RS	Rotation:	RS	Insulation:	B	Eff. Date:	11-28-2011
Leads:	6#18,1#14 #1TH	Literature:		Elec. Diagram:		Replaced By:	

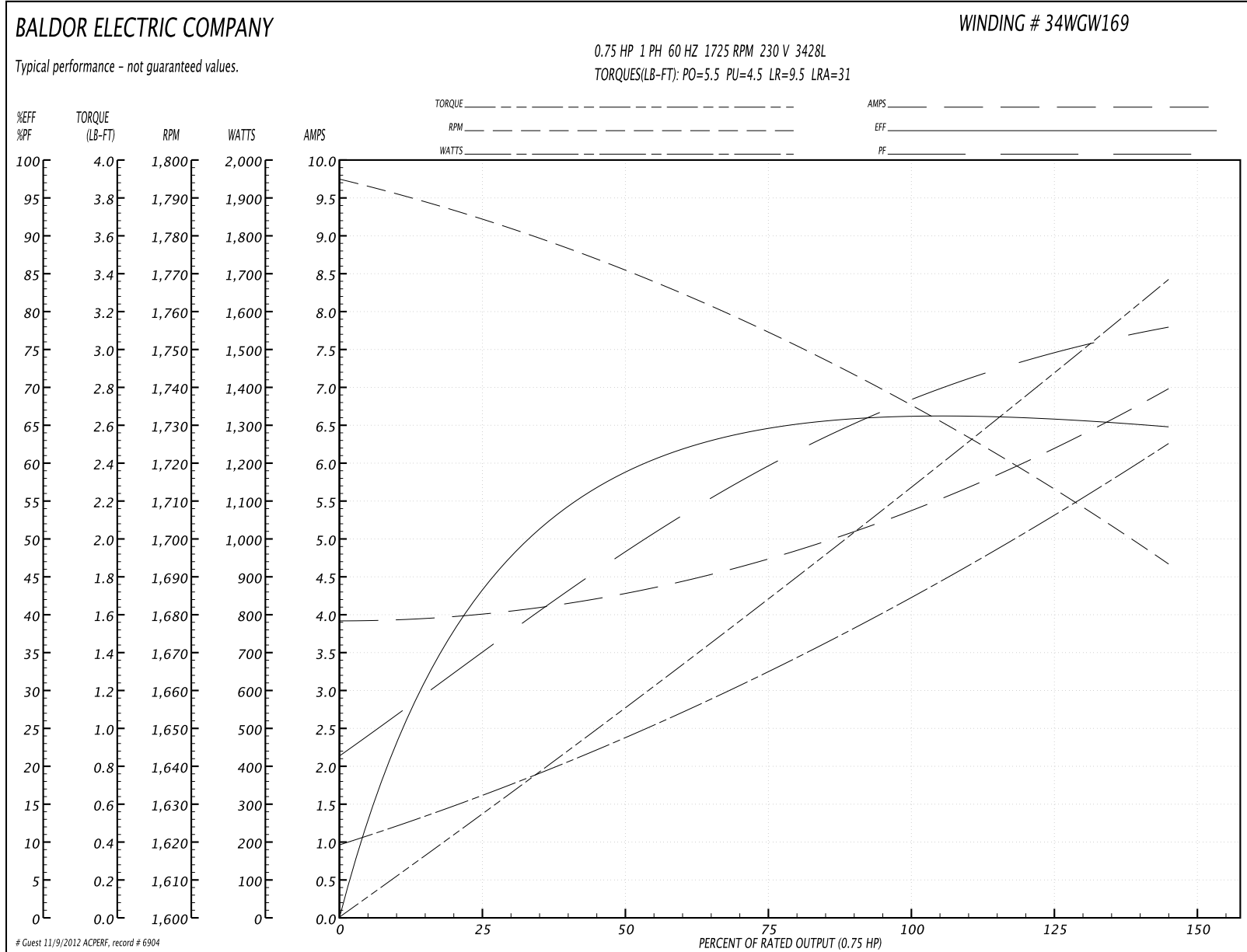
Nameplate NP1257L							
CAT.NO.	RL1307A						
SPEC.	34P98W169						
HP	.75						
VOLTS	115/230						
AMP	10.2/5.1						
RPM	1725						
FRAME	56H	HZ	60	PH	1		
SER.F.	1.25	CODE	K	DES	N	CL	B
NEMA-NOM-EFF	68	PF	68				
RATING	40C AMB-CONT						
CC	USABLE AT 208V			6			
DE	6203	ODE	6203				
ENCL	OPEN	SN					
	SFA 11.4/5.7						

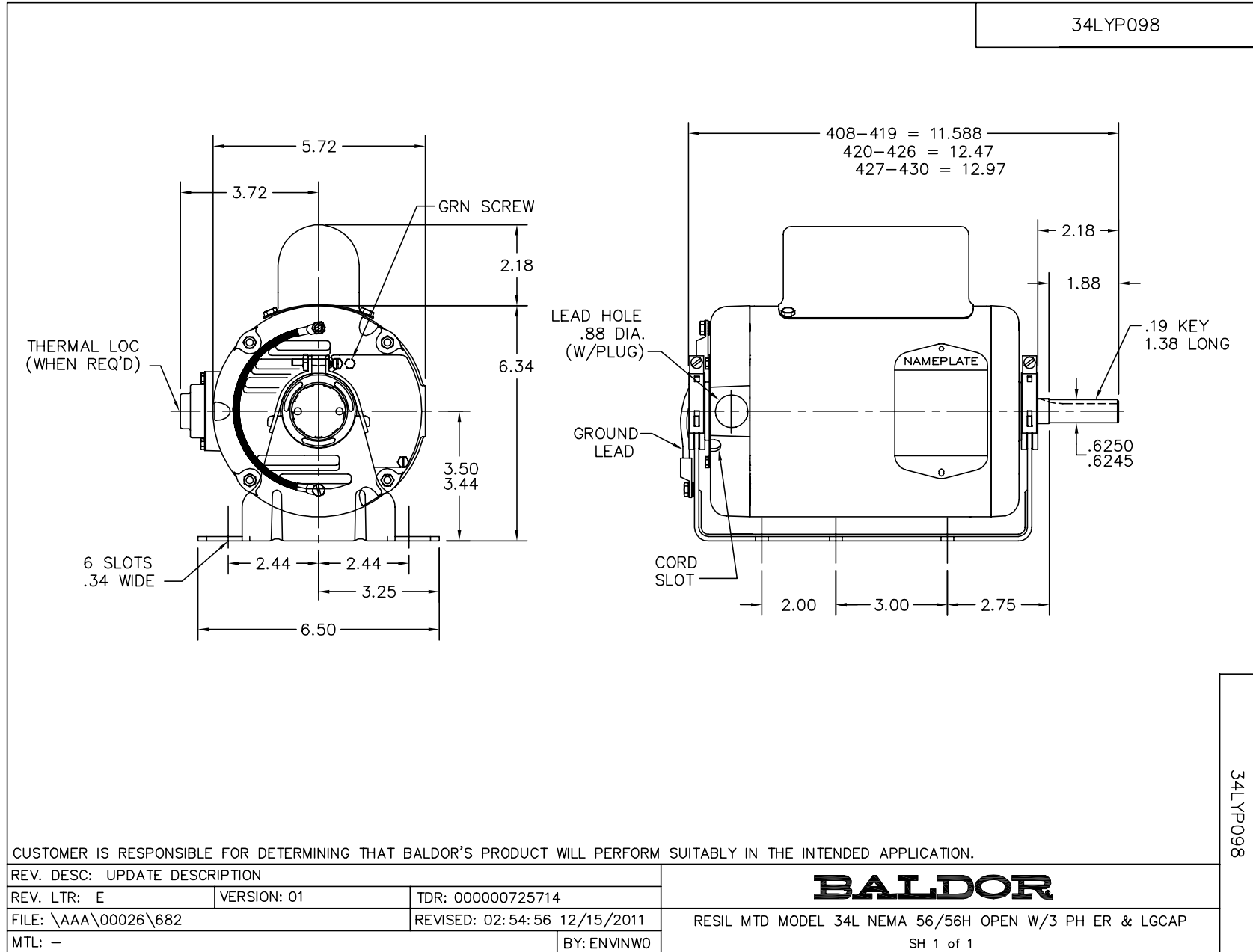
Parts List		
Part Number	Description	Quantity
SA007804	SA 34P98W169	1.000 EA
RA004251	RA 34P98W169	1.000 EA
EC1460A05SP	ELEC CAP, 460-552 MFD, 125V, 2.06D X 3.	1.000 EA
51XW0832A07	8-32 X .44, TAPTITE II, HEX WSHR SLTD SE	3.000 EA
34EP3202A01SP	FR ENDPLATE, MACH	1.000 EA
11XT0832G06	8-32 X 3/8 TY 23 TAPPING	1.000 EA
WD4100A01	DP-875 HEYCO PLUG OR 62MP0875 MICRO PLAS	1.000 EA
RM1000A03SP	CUSHION RING, MDL 17-33-34	1.000 EA
HA6004A01A	CLAMP CUSHION RING ASSY	1.000 EA
LD5000A52	LEAD ASSY W/INTERNAL STAR RING TERMINALS	1.000 EA
11XT1032A06	10-32 X 3/8 HX WSHR HD SLTD TYPE 23	2.000 EA
33CB4800A02	CAPACITOR COVER, STAMPED	1.000 EA
NS2501A01	INSULATOR, CAPACITOR	1.000 EA
51XB1016A05	10-16X5/16HX WA SL SR TYB (F/S)	2.000 EA
HW5100A03SP	WAVY WASHER (W1543-017)	1.000 EA
34EP3203A01	PU ENDPLATE, MACH	1.000 EA
RM1000A03SP	CUSHION RING, MDL 17-33-34	1.000 EA
HA6004A01A	CLAMP CUSHION RING ASSY	1.000 EA
XY1032A02	10-32 HEX NUT DIRECTIONAL SERRATION	4.000 EA
34CB4501SP	TERMINAL BOX LID, STAMPED X (PLATED)	1.000 EA
51XW0832A07	8-32 X .44, TAPTITE II, HEX WSHR SLTD SE	2.000 EA
HW2501D13SP	KEY, 3/16 SQ X 1.375	1.000 EA
HA7000A04	KEY RETAINER 0.625 DIA SHAFTS	1.000 EA
34BA4011C01	RESILIENT BASE	1.000 EA

Parts List (continued)		
Part Number	Description	Quantity
WD1000A16	2-520128-2 AMP FLAG TERMINAL(4M/RL)	5.000 EA
MG1000G27	PAINT- S9282E CHARCOAL GREY	0.014 GA
10XF0440S02	04-40 X 1/8 TYPE F HEX HD STAINLESS STIC	2.000 EA
SP5068A04	MODEL 34 TERMINAL PANEL SWITCH WITH LEAD	1.000 EA
HA3100A38	THRUBOLT 10-32 X 9.375	4.000 EA
LB1125C01	STD (STOCK) CARTON LABEL BALDOR WITH FLA	1.000 EA
LB1118	LABEL,WARNING (ROLL LABEL)	1.000 EA
LC0052	CONNECTION LABEL	1.000 EA
NP1257L	ALUM UL CSA CC THERMAL REV MTG	1.000 EA
34PA1005	PACKING GROUP, BALDOR	1.000 EA

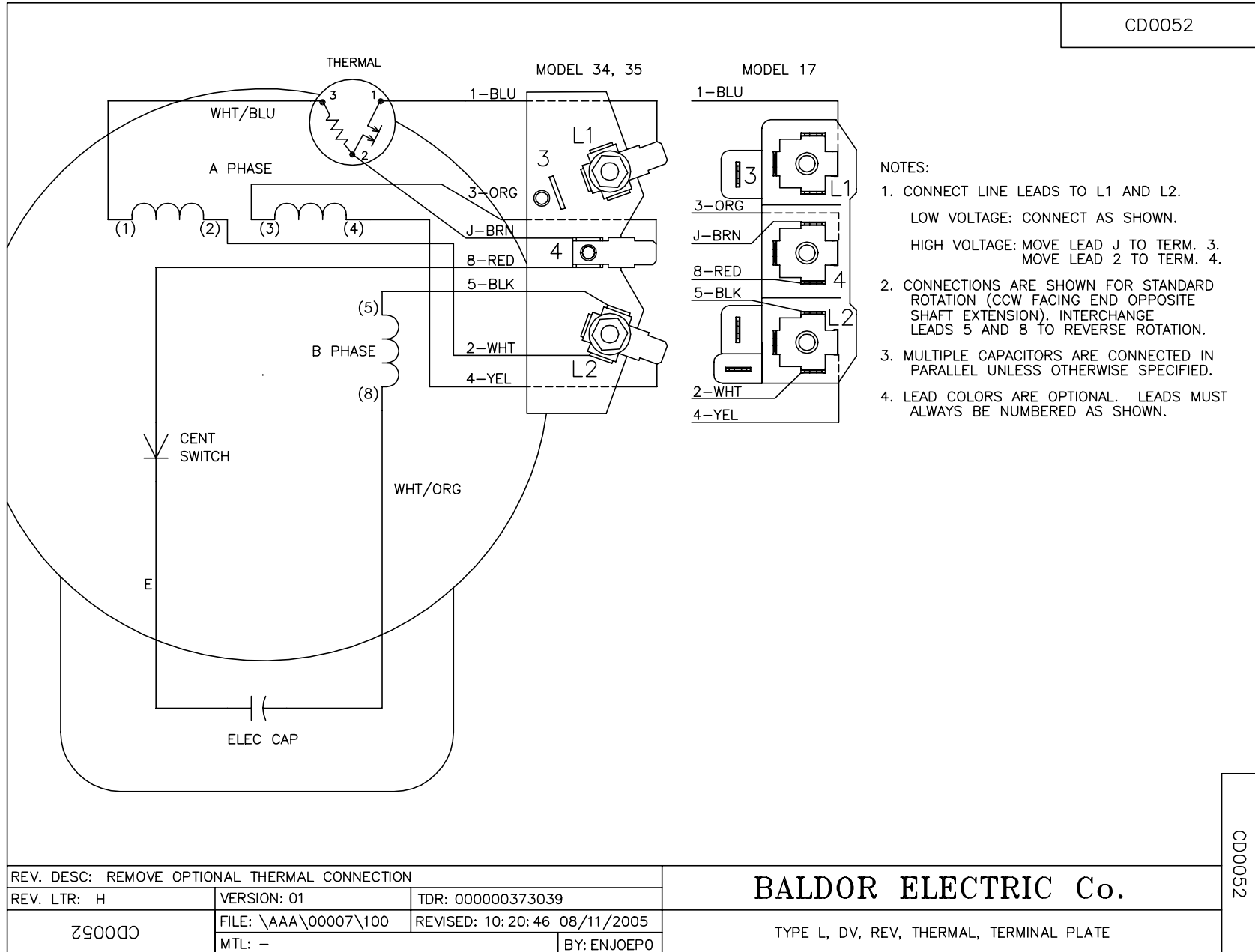
Performance Data at 230V, 60Hz, 0.75HP (Typical performance - Not guaranteed values)							
General Characteristics							
Full Load Torque:	2.25 LB-FT			Start Configuration:	DOL		
No-Load Current:	3.9 Amps			Break-Down Torque:	5.5 LB-FT		
Line-line Res. @ 25°C.:	3.1 Ohms A Ph / 1.64 Ohms B Ph			Pull-Up Torque:	4.5 LB-FT		
Temp. Rise @ Rated Load:	74 C			Locked-Rotor Torque:	9.5 LB-FT		
Temp. Rise @ S.F. Load:	90 C			Starting Current:	31.0 Amps		
Load Characteristics							
% of Rated Load	25	50	75	100	125	150	S.F.
Power Factor:	35.0	49.0	63.0	70.0	76.0	80.0	76.0
Efficiency:	45.4	59.1	62.7	66.7	66.8	64.4	66.8
Speed:	1783.0	1770.0	1754.0	1737.0	1717.0	1692.0	1717.0
Line Amperes:	4.05	4.25	4.8	5.3	6.1	7.0	6.1

Performance Graph at 230V, 60Hz, 0.75HP Typical performance - Not guaranteed values





CD0052



CD0052

REV. DESC: REMOVE OPTIONAL THERMAL CONNECTION		
REV. LTR: H	VERSION: 01	TDR: 000000373039
Z90052	FILE: \AAA\00007\100	REVISED: 10:20:46 08/11/2005
	MTL: -	BY: ENJOEPO

BALDOR ELECTRIC Co.

TYPE L, DV, REV, THERMAL, TERMINAL PLATE