

# **BALDOR® • RELIANCE**

## **Product Information Packet**

### **RL1323A**

**.5HP, 1725RPM, 1PH, 60HZ, 56, 3416L, OPEN, F1**

Copyright © All product information within this document is subject to Baldor Electric Company copyright © protection, unless otherwise noted.

Part Detail							
Revision:	U	Status:	PRD/A	Change #:		Proprietary:	No
Type:	AC	Prod. Type:	3416L	Elec. Spec:	34WGW140	CD Diagram:	
Enclosure:	OPEN	Mfg Plant:		Mech. Spec:	34K018	Layout:	
Frame:	56	Mounting:	F1	Poles:	04	Created Date:	
Base:	RS	Rotation:	RS	Insulation:	B	Eff. Date:	11-01-2011
Leads:	6#18,1#16 #1TH	Literature:		Elec. Diagram:		Replaced By:	

Nameplate NP1257L							
CAT.NO.	RL1323A						
SPEC.	34K18W140						
HP	.5						
VOLTS	115/230						
AMP	8/4						
RPM	1725						
FRAME	56	HZ	60			PH	1
SER.F.	1.00	CODE	J	DES	N	CL	B
NEMA-NOM-EFF	62	PF	71				
RATING	40C AMB-CONT						
CC				USABLE AT 208V			
DE	6203	ODE	6203				
ENCL	OPEN	SN					

Parts List		
Part Number	Description	Quantity
SA008109	SA 34K18W140	1.000 EA
RA004556	RA 34K18W140	1.000 EA
EC1189A02SP	61B2D120189NNBA ELEC CAP, 189-227MFD, 12	1.000 EA
34CB4501SP	TERMINAL BOX LID, STAMPED X (PLATED)	1.000 EA
51XW0832A07	8-32 X .44, TAPTITE II, HEX WSHR SLTD SE	2.000 EA
11XT0832G06	8-32 X 3/8 TY 23 TAPPING	1.000 EA
LD5000A52	LEAD ASSY W/INTERNAL STAR RING TERMINALS	1.000 EA
11XT1032A06	10-32 X 3/8 HX WSHR HD SLTD TYPE 23	2.000 EA
51XW0832A07	8-32 X .44, TAPTITE II, HEX WSHR SLTD SE	3.000 EA
34EP3202A01SP	FR ENDPLATE, MACH	1.000 EA
RM1000A03SP	CUSHION RING, MDL 17-33-34	1.000 EA
HA6004A01A	CLAMP CUSHION RING ASSY	1.000 EA
WD4100A01	DP-875 HEYCO PLUG OR 62MP0875 MICRO PLAS	1.000 EA
RM1000A03SP	CUSHION RING, MDL 17-33-34	1.000 EA
HA6004A01A	CLAMP CUSHION RING ASSY	1.000 EA
NS2500A01	INSULATOR, AUTO THER PROT	1.000 EA
34CB4800SP	CAPACITOR COVER, STAMPED	1.000 EA
51XB1016A05	10-16X5/16HX WA SL SR TYB (F/S)	2.000 EA
WD1000A03	41531 AMP FLG.TERM,4M/REEL(2.5MIL)	1.000 EA
HW5100A03SP	WAVY WASHER (W1543-017)	1.000 EA
34EP3203A01	PU ENDPLATE, MACH	1.000 EA
XY1032A02	10-32 HEX NUT DIRECTIONAL SERRATION	4.000 EA
HW2501D13SP	KEY, 3/16 SQ X 1.375	1.000 EA
HA7000A04	KEY RETAINER 0.625 DIA SHAFTS	1.000 EA

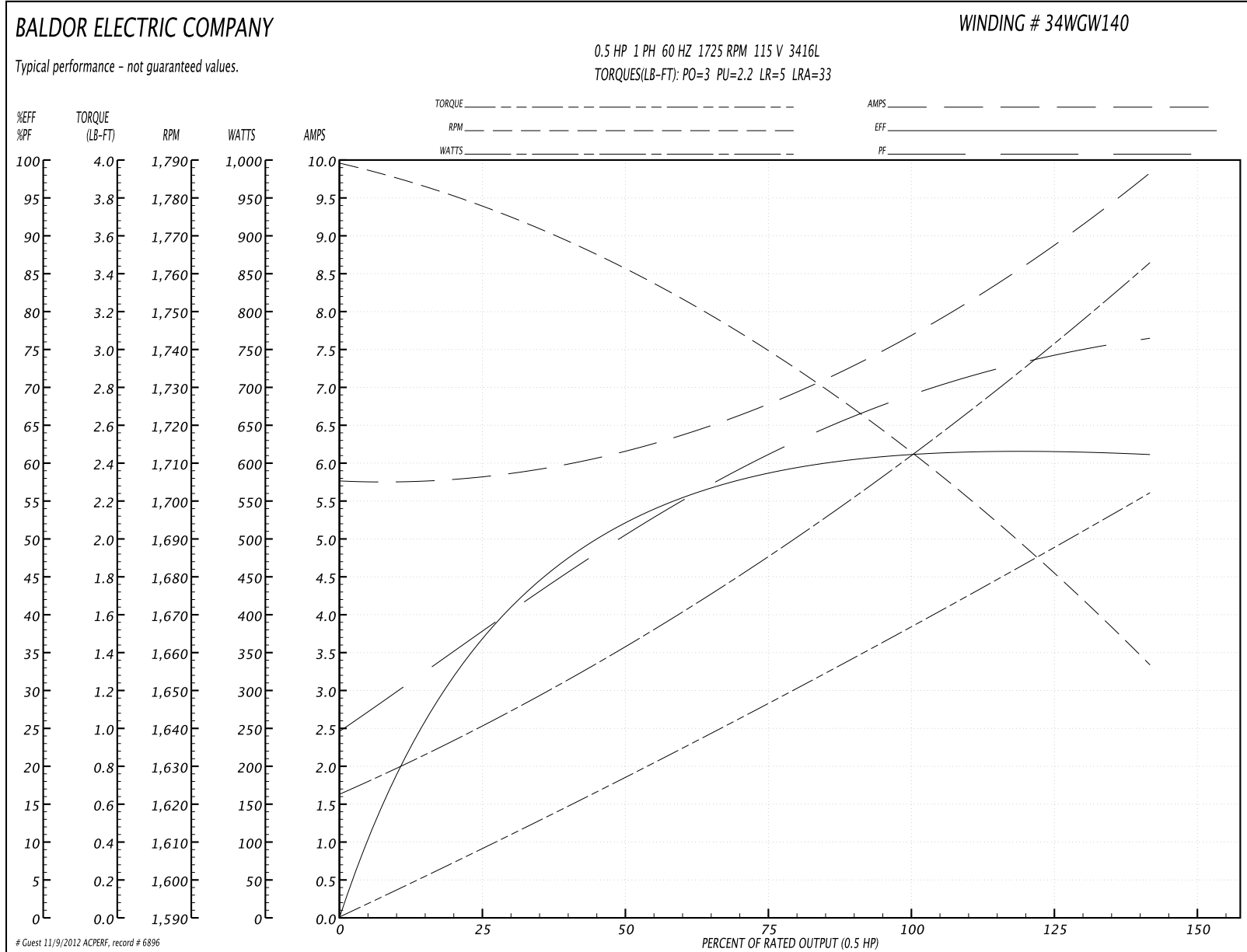
Parts List (continued)		
Part Number	Description	Quantity
MG1000G27	PAINT- S9282E CHARCOAL GREY	0.014 GA
10XF0440S02	04-40 X 1/8 TYPE F HEX HD STAINLESS STIC	2.000 EA
34BA4003A01SP	RESILIENT BASE, (LENGTH 8.22")	1.000 EA
SP5068A01	34L TERM PANEL STAT SWITCH #E-6"	1.000 EA
HA3100A12	THRUBOLT 10-32 X 7.375	4.000 EA
LB1118	LABEL,WARNING (ROLL LABEL)	1.000 EA
LB1125C01	STD (STOCK) CARTON LABEL BALDOR WITH FLA	1.000 EA
LC0052	CONNECTION LABEL	1.000 EA
NP1257L	ALUM UL CSA CC THERMAL REV MTG	1.000 EA
34PA1002	PACKING GROUP, BALDOR	1.000 EA

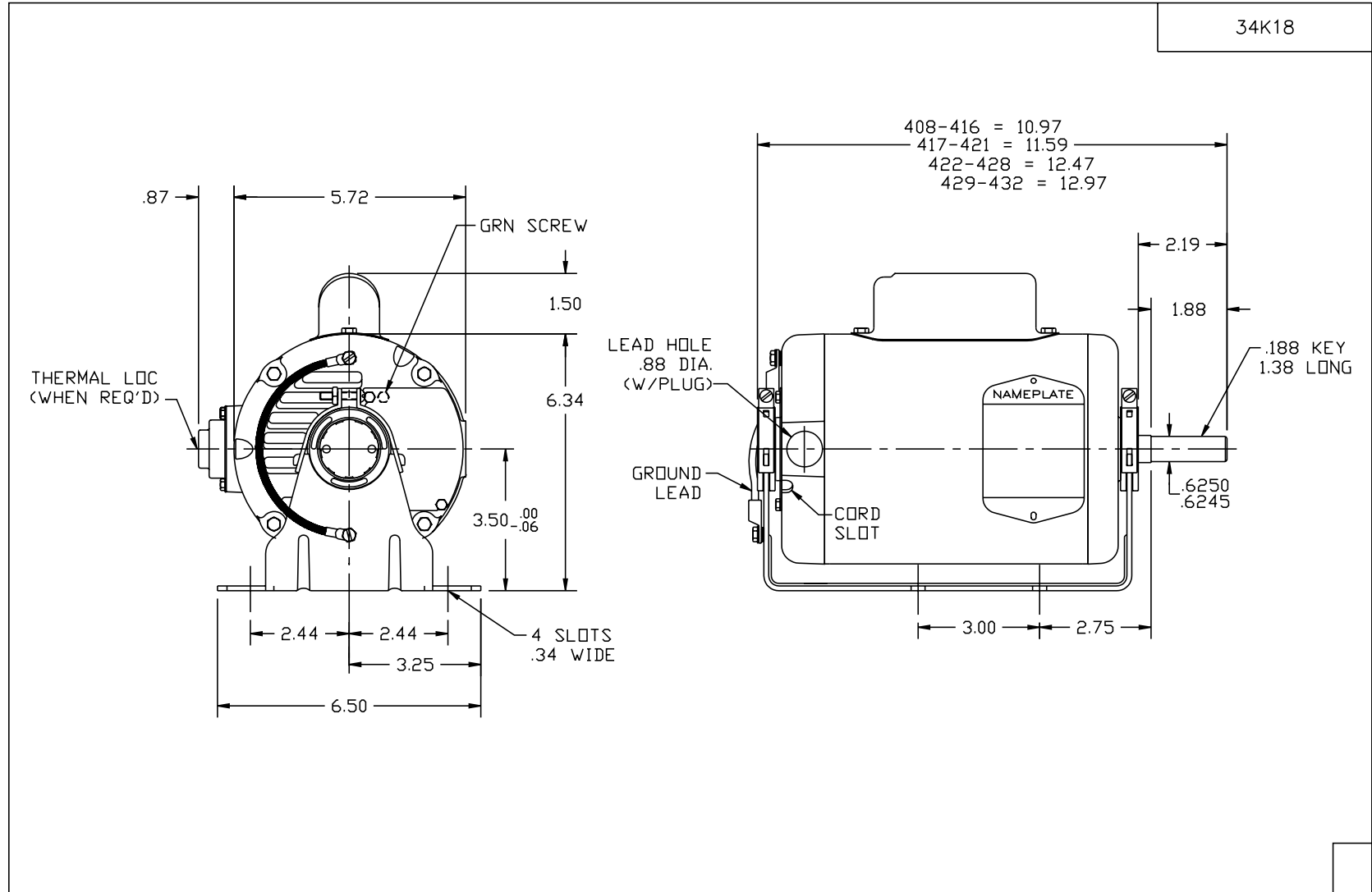
**Performance Data at 115V, 60Hz, 0.5HP (Typical performance - Not guaranteed values)**

General Characteristics			
Full Load Torque:	1.5 LB-FT	Start Configuration:	DOL
No-Load Current:	5.7 Amps	Break-Down Torque:	3.0 LB-FT
Line-line Res. @ 25°C.:	1.42 Ohms A Ph / 3.46 Ohms B Ph	Pull-Up Torque:	2.2 LB-FT
Temp. Rise @ Rated Load:	64 C	Locked-Rotor Torque:	5.0 LB-FT
Temp. Rise @ S.F. Load:		Starting Current:	33.0 Amps

Load Characteristics							
% of Rated Load	25	50	75	100	125	150	S.F.
Power Factor:	38.0	51.0	61.0	70.0	76.0	81.0	0.0
Efficiency:	36.2	51.4	58.6	61.7	62.2	60.6	0.0
Speed:	1776.0	1759.0	1740.0	1717.0	1690.0	1654.0	0.0
Line Amperes:	5.9	6.2	6.8	7.5	8.6	9.9	0.0

Performance Graph at 115V, 60Hz, 0.5HP Typical performance - Not guaranteed values





34K18

CUST. NAME		CUST. P.O.		CERTIFIED BY		MODEL		INSUL		AMB							
H.P.		MTG		TYPE		R.P.M.		VOLTS		ENCL							
PHASE		FREQ		FRAME		<h2>BALDOR ELECTRIC Co.</h2> <p>STD RESIL MTD MODEL 34L NEMA 56 OPEN W/TERM PLATE</p>											
REMARKS:																	
REV:	B	UPDATE TO ACAD															
34K18		REF: 34K14	BY: FH	REVISED: 12/19/94													
		FILE: AAA00012624	TDR: 0058639														

34K18

CD0052

