

# **BALDOR**® • **RELIANCE**

## **Product Information Packet**

# **RM3108A**

**.5HP,1725RPM,3PH,60HZ,56H,3416M,OPEN,F1**

Copyright © All product information within this document is subject to Baldor Electric Company copyright © protection, unless otherwise noted.

| Part Detail       |              |             |       |                |                |               |            |    |   |
|-------------------|--------------|-------------|-------|----------------|----------------|---------------|------------|----|---|
| Revision:         | P            | Status:     | PRD/A | Change #:      |                | Proprietary:  | No         |    |   |
| Type:             | AC           | Prod. Type: | 3416M | Elec. Spec:    | 34WG2328       | CD Diagram:   |            |    |   |
| Enclosure:        | OPEN         | Mfg Plant:  |       | Mech. Spec:    | 34-6328        | Layout:       |            |    |   |
| Frame:            | 56H          | Mounting:   | F1    | Poles:         | 04             | Created Date: |            |    |   |
| Base:             | RS           | Rotation:   | R     | Insulation:    | B              | Eff. Date:    | 03-23-2011 |    |   |
| Leads:            | 12#18        | Literature: |       | Elec. Diagram: |                | Replaced By:  |            |    |   |
| Nameplate NP1257L |              |             |       |                |                |               |            |    |   |
| CAT.NO.           | RM3108A      |             |       |                |                |               |            |    |   |
| SPEC.             | 34-6328-2328 |             |       |                |                |               |            |    |   |
| HP                | .5           |             |       |                |                |               |            |    |   |
| VOLTS             | 230/460      |             |       |                |                |               |            |    |   |
| AMP               | 2/1          |             |       |                |                |               |            |    |   |
| RPM               | 1725         |             |       |                |                |               |            |    |   |
| FRAME             | 56H          | HZ          | 60    |                |                | PH            | 3          |    |   |
| SER.F.            | 1.25         | CODE        | L     |                |                | DES           | B          | CL | B |
| NEMA-NOM-EFF      | 74           | PF          | 63    |                |                |               |            |    |   |
| RATING            | 40C AMB-CONT |             |       |                |                |               |            |    |   |
| CC                |              |             |       |                | USABLE AT 208V | 2.4           |            |    |   |
| DE                | 6203         | ODE         | 6203  |                |                |               |            |    |   |
| ENCL              | OPEN         | SN          |       |                |                |               |            |    |   |
|                   | SFA 2.3/1.15 |             |       |                |                |               |            |    |   |

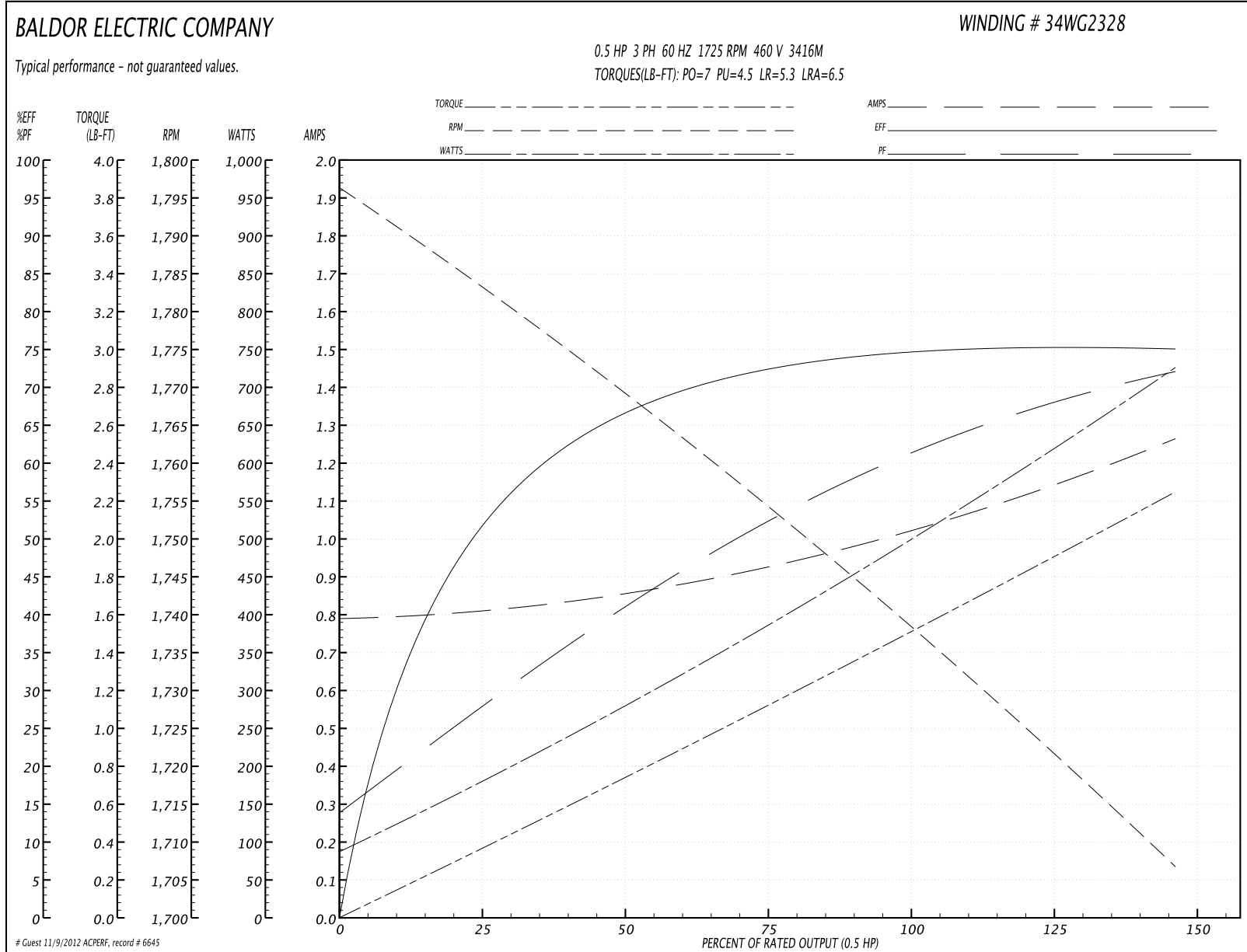
| Parts List    |  |          |
|---------------|--|----------|
| Part Number   | Description                              | Quantity |
| SA009191      | SA 34-6328-2328                          | 1.000 EA |
| RA005638      | RA 34-6328-2328                          | 1.000 EA |
| LD5000A52     | LEAD ASSY W/INTERNAL STAR RING TERMINALS | 1.000 EA |
| 11XT1032A06   | 10-32 X 3/8 HX WSHR HD SLTD TYPE 23      | 2.000 EA |
| 34EP3202A01SP | FR ENDPLATE, MACH                        | 1.000 EA |
| 11XT0832G06   | 8-32 X 3/8 TY 23 TAPPING                 | 1.000 EA |
| SP1000A01     | TERM BOARD, MODEL 34 SW                  | 1.000 EA |
| 51XW0832A07   | 8-32 X .44, TAPTITE II, HEX WSHR SLTD SE | 3.000 EA |
| WD4100A01     | DP-875 HEYCO PLUG OR 62MP0875 MICRO PLAS | 1.000 EA |
| RM1000A03SP   | CUSHION RING, MDL 17-33-34               | 1.000 EA |
| RM1000A03SP   | CUSHION RING, MDL 17-33-34               | 1.000 EA |
| HA6004A01A    | CLAMP CUSHION RING ASSY                  | 2.000 EA |
| HW5100A03SP   | WAVY WASHER (W1543-017)                  | 1.000 EA |
| 34EP3203A01   | PU ENDPLATE, MACH                        | 1.000 EA |
| XY1032A02     | 10-32 HEX NUT DIRECTIONAL SERRATION      | 4.000 EA |
| 34CB4501SP    | TERMINAL BOX LID, STAMPED X (PLATED)     | 1.000 EA |
| 51XW0832A07   | 8-32 X .44, TAPTITE II, HEX WSHR SLTD SE | 2.000 EA |
| HW2501D13SP   | KEY, 3/16 SQ X 1.375                     | 1.000 EA |
| HA7000A04     | KEY RETAINER 0.625 DIA SHAFTS            | 1.000 EA |
| MG1000G27     | PAINT- S9282E CHARCOAL GREY              | 0.014 GA |
| 10XF0440S02   | 04-40 X 1/8 TYPE F HEX HD STAINLESS STIC | 2.000 EA |
| 34BA4011B01   | RESILIENT BASE, MODEL 34 NEMA 56H        | 1.000 EA |
| HA3100A15     | THRUBOLT 10-32 X 8.375                   | 4.000 EA |
| LB1118        | LABEL,WARNING (ROLL LABEL)               | 1.000 EA |

| Parts List (continued) |  |          |
|------------------------|--|----------|
| Part Number            | Description                              | Quantity |
| LB1125C01              | STD (STOCK) CARTON LABEL BALDOR WITH FLA | 1.000 EA |
| LC0007                 | CONN.DIAGRAM (3PHASE W/THERMAL)          | 1.000 EA |
| NP1257L                | ALUM UL CSA CC THERMAL REV MTG           | 1.000 EA |
| 34PA1002               | PACKING GROUP, BALDOR                    | 1.000 EA |

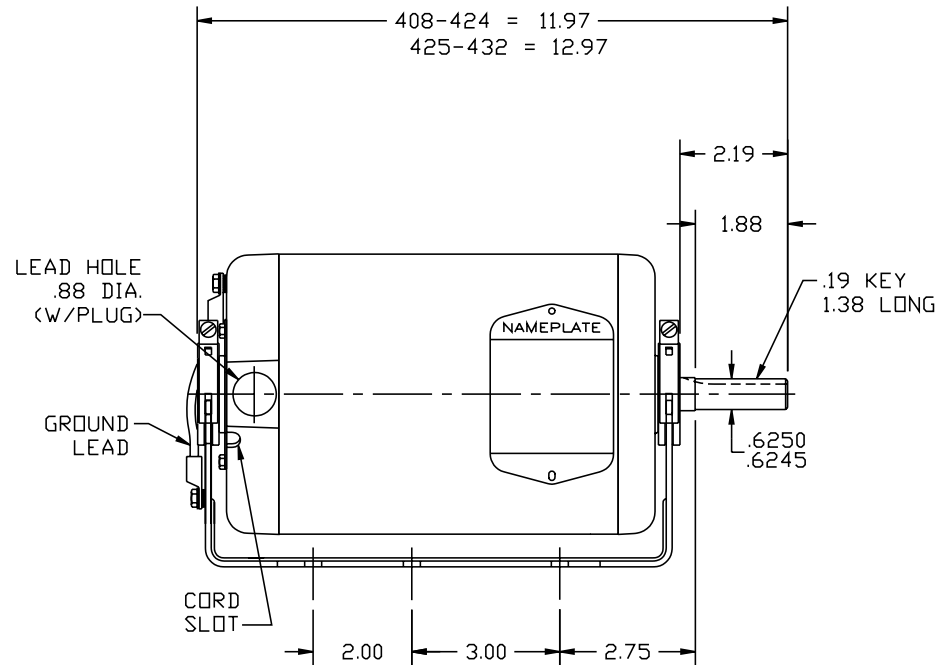
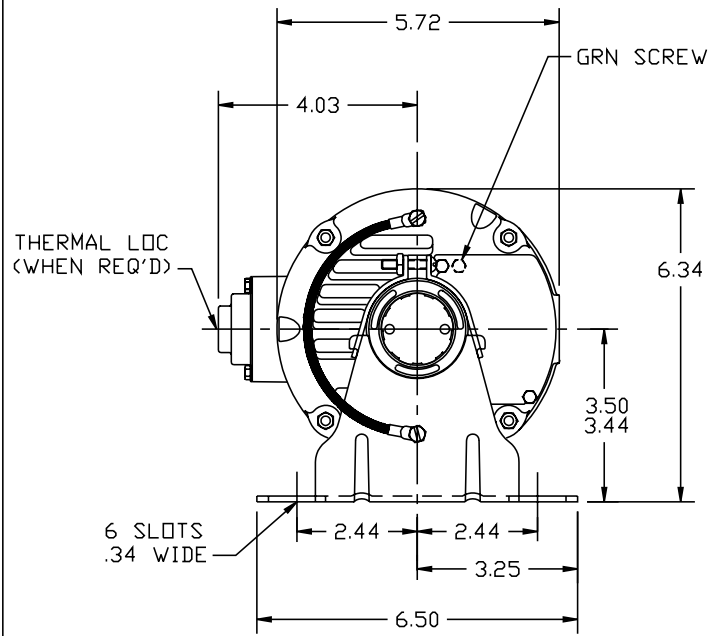
**Performance Data at 460V, 60Hz, 0.5HP (Typical performance - Not guaranteed values)**

| General Characteristics  |                                |        |        |                      |           |        |        |
|--------------------------|--------------------------------|--------|--------|----------------------|-----------|--------|--------|
| Full Load Torque:        | 1.5 LB-FT                      |        |        | Start Configuration: | DOL       |        |        |
| No-Load Current:         | 0.8 Amps                       |        |        | Break-Down Torque:   | 7.0 LB-FT |        |        |
| Line-line Res. @ 25°C.:  | 32.0 Ohms A Ph / 0.0 Ohms B Ph |        |        | Pull-Up Torque:      | 4.5 LB-FT |        |        |
| Temp. Rise @ Rated Load: | 48 C                           |        |        | Locked-Rotor Torque: | 5.3 LB-FT |        |        |
| Temp. Rise @ S.F. Load:  | 57 C                           |        |        | Starting Current:    | 6.5 Amps  |        |        |
| Load Characteristics     |                                |        |        |                      |           |        |        |
| % of Rated Load          | 25                             | 50     | 75     | 100                  | 125       | 150    | S.F.   |
| Power Factor:            | 30.0                           | 43.0   | 55.0   | 63.0                 | 69.0      | 75.0   | 69.0   |
| Efficiency:              | 53.2                           | 66.4   | 72.5   | 74.6                 | 75.3      | 75.1   | 75.3   |
| Speed:                   | 1782.0                         | 1769.0 | 1754.0 | 1739.0               | 1724.0    | 1706.0 | 1724.0 |
| Line Amperes:            | 0.8                            | 0.85   | 0.92   | 1.03                 | 1.15      | 1.25   | 1.15   |

Performance Graph at 460V, 60Hz, 0.5HP Typical performance - Not guaranteed values



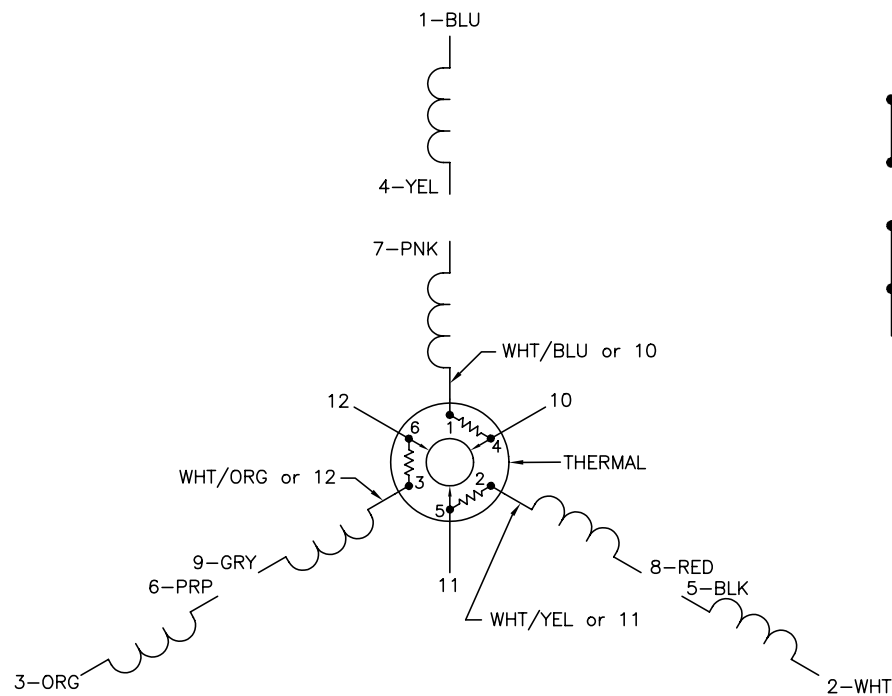
34-6328



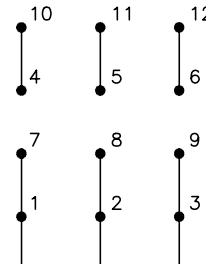
|            |   |                   |              |                   |  |        |  |       |  |      |  |   |  |      |  |       |  |
|------------|---|-------------------|--------------|-------------------|--|--------|--|-------|--|------|--|---|--|------|--|-------|--|
| CUST. NAME |   | CUST. P.O.        |              | CERTIFIED BY      |  | MODEL  |  | INSUL |  | AMB  |  |   |  |      |  |       |  |
| H.P.       |   | MTG               |              | TYPE              |  | R.P.M. |  | VOLTS |  | ENCL |  | PHASE   |  | FREQ |  | FRAME |  |
| REMARKS:   |   |                   |              |                   |  |        |  |       |  |      |  | <b>BALDOR ELECTRIC Co.</b><br>STD RESIL MTD MODEL 34M NEMA 56H OPEN MTR |  |      |  |       |  |
| REV:       | C | MOVED TO ACAD     |              |                   |  |        |  |       |  |      |  |   |  |      |  |       |  |
| 8Z9-4C     |   | REF: 34-1252      | BY: MW       | REVISED: 01/13/96 |  |        |  |       |  |      |  |   |  |      |  |       |  |
|            |   | FILE: AAA00026675 | TDR: 0087130 |                   |  |        |  |       |  |      |  |   |  |      |  |       |  |

34-6328

CD0007

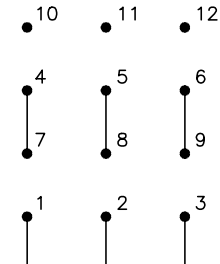


LOW VOLTAGE  
(2Y)



LINE

HIGH VOLTAGE  
(1Y)



LINE

NOTES:

1. INTERCHANGE ANY TWO LINE LEADS TO REVERSE ROTATION.
2. ACTUAL NUMBER OF INTERNAL PARALLEL CIRCUITS MAY VARY.
3. LEAD COLORS ARE OPTIONAL. LEADS MUST ALWAYS BE NUMBERED AS SHOWN.

|                                  |         |                        |              |
|----------------------------------|---------|------------------------|--------------|
| REV. DESC: ADDED "CK" PLANT CODE |         |                        |              |
| REV. LTR: E                      | BY: EAH | REVISED: 05/06/99 17:1 | TDR: 0181040 |
| L00000                           |         | FILE: AAA00008370      | MDL: -       |
|                                  |         | MTL: -                 |              |

**BALDOR ELECTRIC Co.**

3PH, DV, THERMAL, 12 LEADS

CD0007