

BALDOR® • *RELIANCE*

Product Information Packet

RM3112A

.75HP, 1725RPM, 3PH, 60HZ, 56H, 3420M, OPEN, F1

Copyright © All product information within this document is subject to Baldor Electric Company copyright © protection, unless otherwise noted.

Part Detail									
Revision:	Q	Status:	PRD/A	Change #:		Proprietary:	No		
Type:	AC	Prod. Type:	3420M	Elec. Spec:	34WG2100	CD Diagram:			
Enclosure:	OPEN	Mfg Plant:		Mech. Spec:	34-6328	Layout:			
Frame:	56H	Mounting:	F1	Poles:	04	Created Date:			
Base:	RS	Rotation:	R	Insulation:	B	Eff. Date:	03-24-2011		
Leads:	12#18	Literature:		Elec. Diagram:		Replaced By:			
Nameplate NP1257L									
CAT.NO.	RM3112A								
SPEC.	34-6328-2100								
HP	.75								
VOLTS	230/460								
AMP	3/1.5								
RPM	1725								
FRAME	56H	HZ	60			PH	3		
SER.F.	1.25	CODE	K			DES	B	CL	B
NEMA-NOM-EFF	74	PF	60						
RATING	40C AMB-CONT								
CC					USABLE AT 208V	3.6			
DE	6203	ODE	6203						
ENCL	OPEN	SN							
	SFA 3.4/1.7								

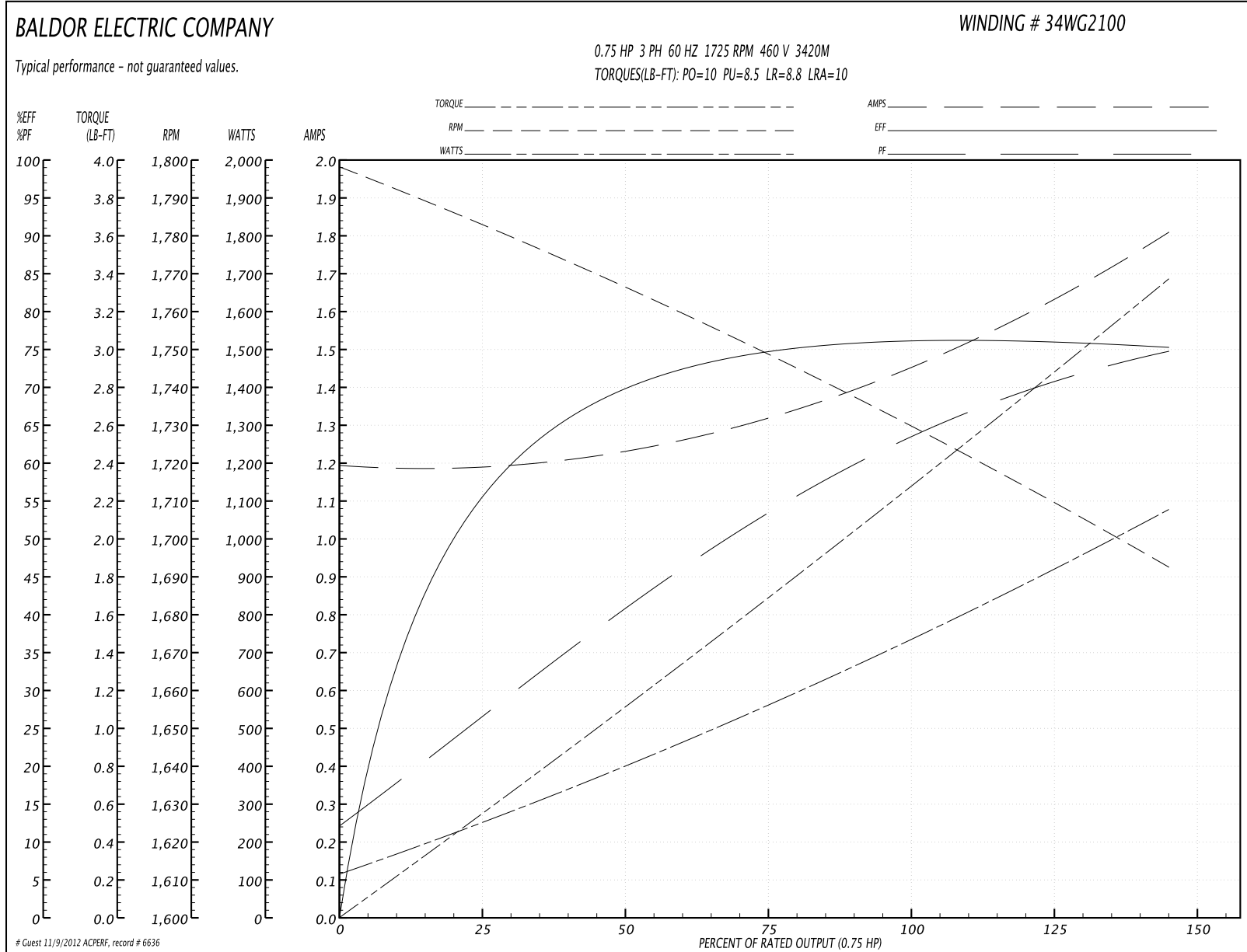
Parts List		
Part Number	Description	Quantity
SA009189	SA 34-6328-2100	1.000 EA
RA005636	RA 34-6328-2100	1.000 EA
LD5000A52	LEAD ASSY W/INTERNAL STAR RING TERMINALS	1.000 EA
11XT1032A06	10-32 X 3/8 HX WSHR HD SLTD TYPE 23	2.000 EA
34EP3202A01SP	FR ENDPLATE, MACH	1.000 EA
11XT0832G06	8-32 X 3/8 TY 23 TAPPING	1.000 EA
SP1000A01	TERM BOARD, MODEL 34 SW	1.000 EA
51XW0832A07	8-32 X .44, TAPTITE II, HEX WSHR SLTD SE	3.000 EA
WD4100A01	DP-875 HEYCO PLUG OR 62MP0875 MICRO PLAS	1.000 EA
RM1000A03SP	CUSHION RING, MDL 17-33-34	1.000 EA
RM1000A03SP	CUSHION RING, MDL 17-33-34	1.000 EA
HA6004A01A	CLAMP CUSHION RING ASSY	2.000 EA
HW5100A03SP	WAVY WASHER (W1543-017)	1.000 EA
34EP3203A01	PU ENDPLATE, MACH	1.000 EA
XY1032A02	10-32 HEX NUT DIRECTIONAL SERRATION	4.000 EA
34CB4501SP	TERMINAL BOX LID, STAMPED X (PLATED)	1.000 EA
51XW0832A07	8-32 X .44, TAPTITE II, HEX WSHR SLTD SE	2.000 EA
HW2501D13SP	KEY, 3/16 SQ X 1.375	1.000 EA
HA7000A04	KEY RETAINER 0.625 DIA SHAFTS	1.000 EA
MG1000G27	PAINT- S9282E CHARCOAL GREY	0.014 GA
10XF0440S02	04-40 X 1/8 TYPE F HEX HD STAINLESS STIC	2.000 EA
34BA4011B01	RESILIENT BASE, MODEL 34 NEMA 56H	1.000 EA
HA3100A15	THRUBOLT 10-32 X 8.375	4.000 EA
LB1118	LABEL,WARNING (ROLL LABEL)	1.000 EA

Parts List (continued)		
Part Number	Description	Quantity
LB1125C01	STD (STOCK) CARTON LABEL BALDOR WITH FLA	1.000 EA
LC0007	CONN.DIAGRAM (3PHASE W/THERMAL)	1.000 EA
NP1257L	ALUM UL CSA CC THERMAL REV MTG	1.000 EA
34PA1002	PACKING GROUP, BALDOR	1.000 EA

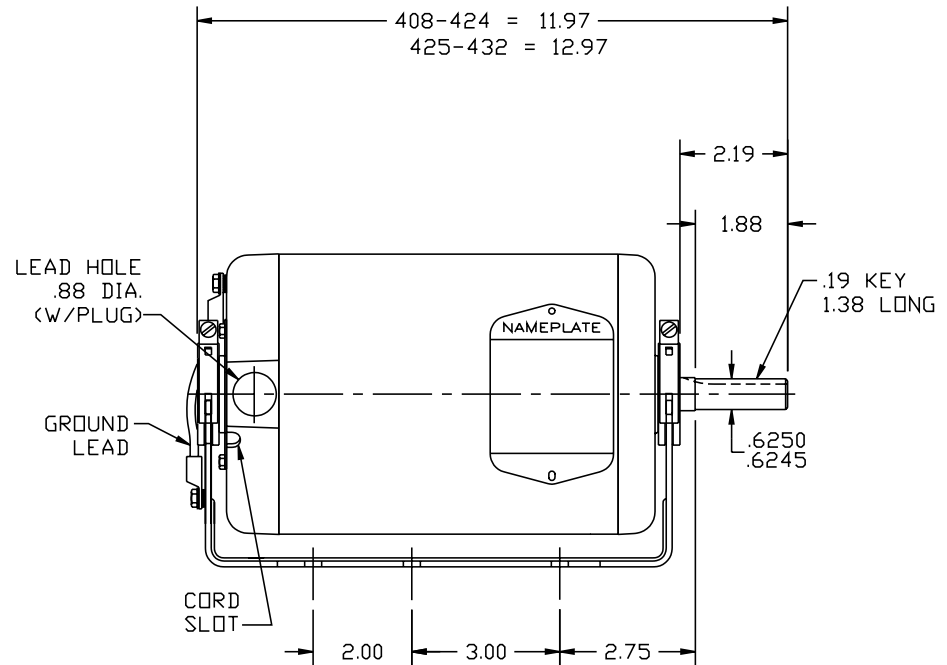
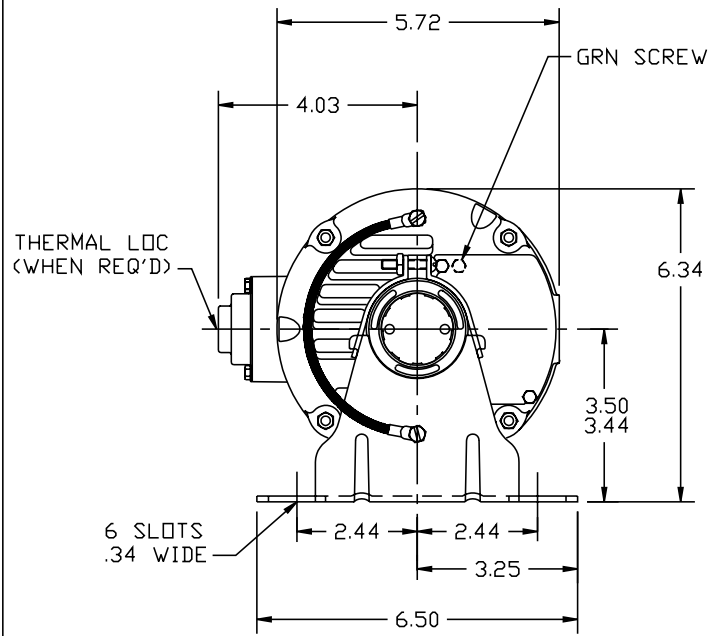
Performance Data at 460V, 60Hz, 0.75HP (Typical performance - Not guaranteed values)

General Characteristics							
Full Load Torque:	2.25 LB-FT			Start Configuration:	DOL		
No-Load Current:	1.2 Amps			Break-Down Torque:	10.0 LB-FT		
Line-line Res. @ 25°C.:	17.68 Ohms A Ph / 0.0 Ohms B Ph			Pull-Up Torque:	8.5 LB-FT		
Temp. Rise @ Rated Load:	48 C			Locked-Rotor Torque:	8.8 LB-FT		
Temp. Rise @ S.F. Load:	59 C			Starting Current:	10.0 Amps		
Load Characteristics							
% of Rated Load	25	50	75	100	125	150	S.F.
Power Factor:	28.0	42.0	55.0	64.0	71.0	76.0	71.0
Efficiency:	56.1	69.7	74.7	76.2	76.1	75.2	76.1
Speed:	1783.0	1766.0	1749.0	1731.0	1711.0	1693.0	1711.0
Line Amperes:	1.2	1.2	1.3	1.5	1.6	1.8	1.6

Performance Graph at 460V, 60Hz, 0.75HP Typical performance - Not guaranteed values



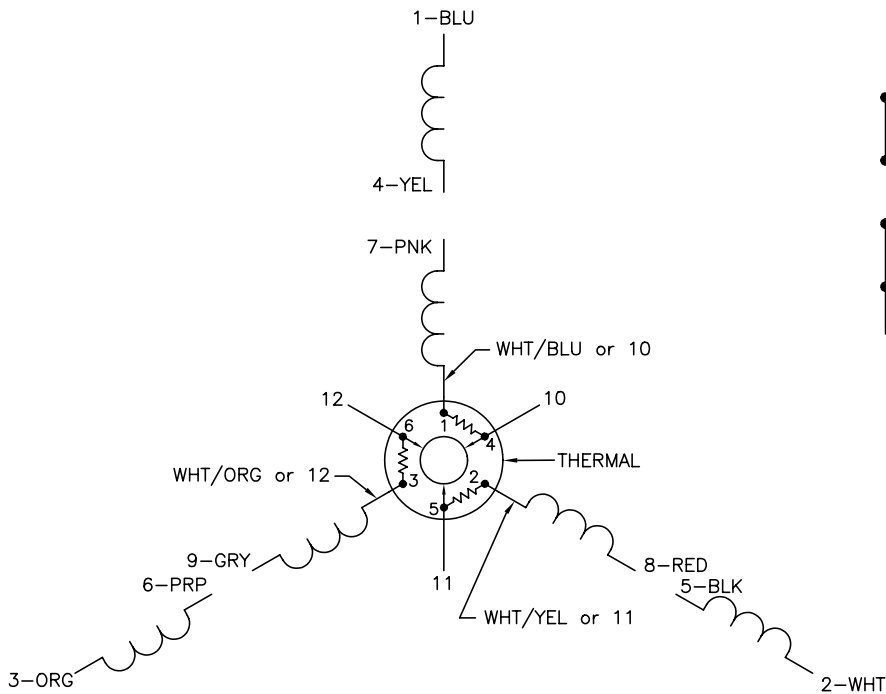
34-6328



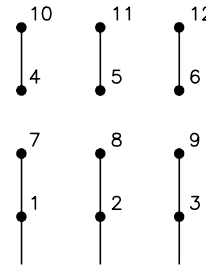
CUST. NAME		CUST. P.O.		CERTIFIED BY		MODEL		INSUL		AMB							
H.P.		MTG		TYPE		R.P.M.		VOLTS		ENCL		PHASE		FREQ		FRAME	
REMARKS:												BALDOR ELECTRIC Co.					
REV:	C	MOVED TO ACAD															
8Z9-4C		REF: 34-1252	BY: MW	REVISED: 01/13/96		STD RESIL MTD MODEL 34M NEMA 56H OPEN MTR											
		FILE: AAA00026675		TDR: 0087130													

34-6328

CD0007

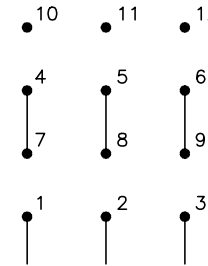


LOW VOLTAGE
(2Y)



LINE

HIGH VOLTAGE
(1Y)



LINE

NOTES:

1. INTERCHANGE ANY TWO LINE LEADS TO REVERSE ROTATION.
2. ACTUAL NUMBER OF INTERNAL PARALLEL CIRCUITS MAY VARY.
3. LEAD COLORS ARE OPTIONAL. LEADS MUST ALWAYS BE NUMBERED AS SHOWN.

REV. DESC: ADDED "CK" PLANT CODE			
REV. LTR: E	BY: EAH	REVISED: 05/06/99 17:1	TDR: 0181040
L00000		FILE: AAA00008370	MDL: -
		MTL: -	

BALDOR ELECTRIC Co.

3PH, DV, THERMAL, 12 LEADS

CD0007