

BALDOR® • RELIANCE

Product Information Packet

UCL345

3-4.5HP,3450RPM,1PH,60HZ,182Z,3634L,OPEN

Copyright © All product information within this document is subject to Baldor Electric Company copyright © protection, unless otherwise noted.

Part Detail							
Revision:	AF	Status:	PRD/A	Change #:		Proprietary:	No
Type:	AC	Prod. Type:	3634L	Elec. Spec:	36WG2510	CD Diagram:	
Enclosure:	OPEN	Mfg Plant:		Mech. Spec:	36F549	Layout:	
Frame:	182Z	Mounting:	F1	Poles:	02	Created Date:	
Base:	RG	Rotation:	R	Insulation:	F	Eff. Date:	06-19-2012
Leads:	2#12 A PH,2#16 B PH 30	Literature:	Y	Elec. Diagram:		Replaced By:	

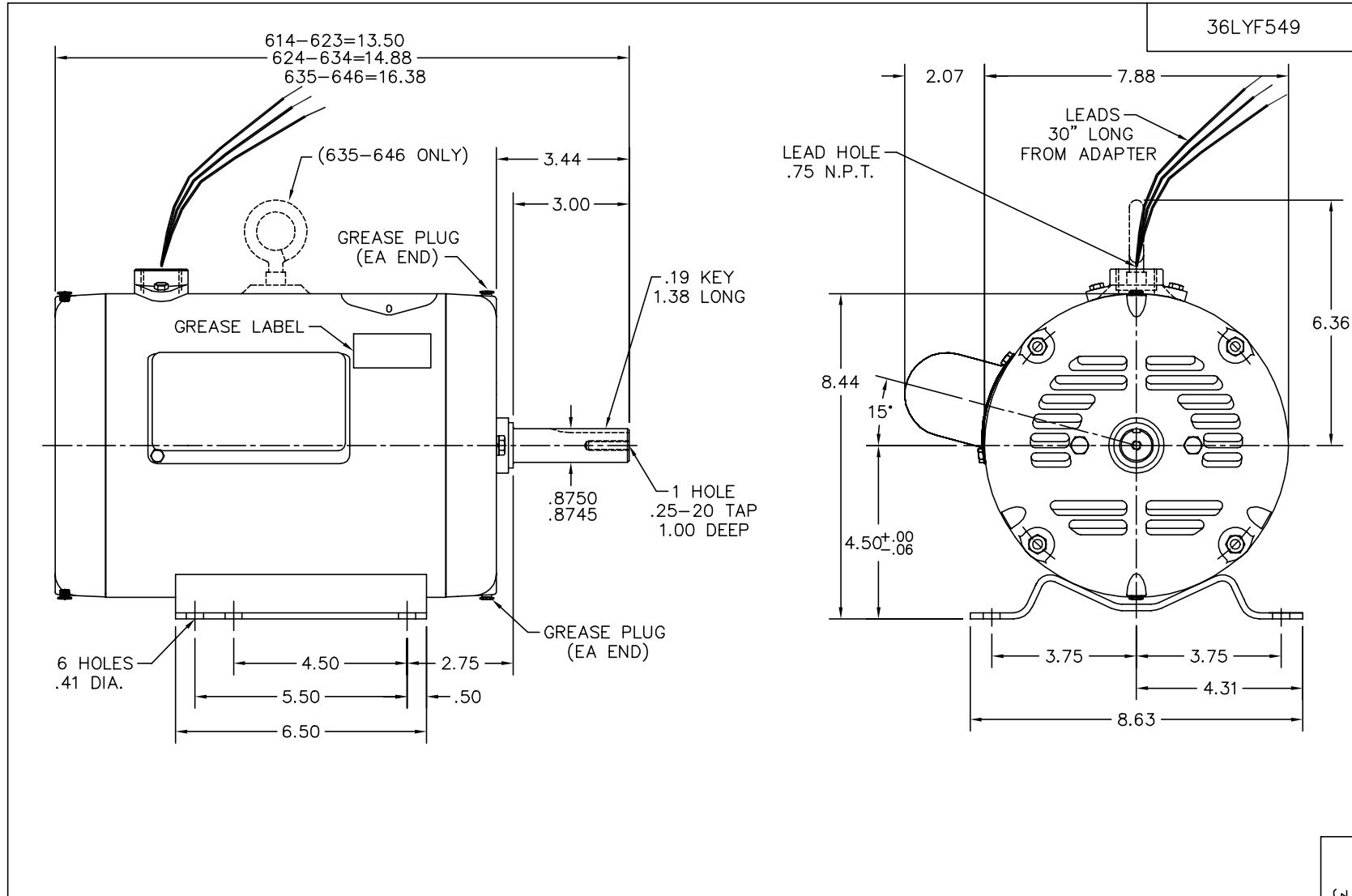
Nameplate NP1279L							
CAT.NO.	UCL345						
SPEC.	36F549-2510						
HP	3-4.5 AIR OVER						
VOLTS	230						
AMP	22						
RPM	3450						
FRAME	182Z	HZ	60	PH	1		
SER.F.	1.00	CODE	F	DES	L	CL	F
NEMA-NOM-EFF	74	PF	86				
RATING	40C AMB-CONT						
CC	USABLE AT 208V						
DE	6206	ODE	6205				
ENCL	OPEN	SN					

Nameplate NP1263L									
CAT.NO.	UCL345								
SPEC.	36F549-2510								
HP	3-4.5 AIR OVER								
VOLTS	230								
AMP	22								
RPM	3450								
FRAME	182Z	HZ	60	PH	1				
SER.F.	1.00	CODE	F	DES	L	CL	F		
NEMA-NOM-EFF	74	PF	86						
RATING	40C AMB-CONT								
CC	USABLE AT 208V								
DE	6206	ODE	6205						
ENCL	OPEN	SN							

Parts List		
Part Number	Description	Quantity
SA035080	SA 36F549-2510	1.000 EA
RA031107	RA 36F549-2510	1.000 EA
EC1216C06SP	ELEC CAP, 216-259 MFD, 250V, 2.06D X 4.	1.000 EA
HA6021A01SP	ADAPTOR, MACH	1.000 EA
51XB1016A07	10-16 X 7/16 HXWSSLD SERTYB	2.000 EA
11XW1032G06	10-32 X .38, TAPTITE II, HEX WSHR SLTD U	1.000 EA
HW3001B01	003SS CUP WASHER, FOR #8 SCREW	1.000 EA
36EP3200A37	FR ENDPLATE, MACH W/GRD SCREW 30 DEG OFF	1.000 EA
HA1103A08	RODENT SCREEN, 36 FRAME, OPEN, FRONT END	1.000 EA
51XW1032A06	10-32 X .38, TAPTITE II, HEX WSHR SLTD S	4.000 EA
HW1000A10	#10 FLAT WASHER (SAE)	4.000 EA
HW4500A19	1/4-28X1/4 SLOTTED PLUG F/S	2.000 EA
13XF0832A08	8-32 X.50 PAN HD,SLTD, TYPE F SCREW, ZIN	2.000 EA
SP1008A01	BAFFLE, MODEL 36 & 37	1.000 EA
NS2501A01	INSULATOR, CAPACITOR	1.000 EA
51XB1016A05	10-16X5/16HX WA SL SR TYB (F/S)	2.000 EA
HW5100A05	WVY WSHR F/205 & 304 BRGS	1.000 EA
36EP3201A03	FR/PU ENDPLATE, MACH	1.000 EA
HA1103A10	RODENT SCREEN, 36 FRAME, OPEN, PULLEY EN	1.000 EA
51XW1032A06	10-32 X .38, TAPTITE II, HEX WSHR SLTD S	4.000 EA
HW1000A10	#10 FLAT WASHER (SAE)	4.000 EA
HW4500A19	1/4-28X1/4 SLOTTED PLUG F/S	2.000 EA
10XN2520A20	1/4-20X 1 1/4 HEX HD X	2.000 EA
HW1001A25	LOCKWASHER 1/4, ZINC PLT .493 OD, .255 I	2.000 EA

Parts List (continued)		
Part Number	Description	Quantity
XY2520A12	1/4-20 HEX NUT, DIRECTIONAL SERRATIONS	4.000 EA
HW2501D13SP	KEY, 3/16 SQ X 1.375	1.000 EA
HA7000A01	KEY RETAINER 7/8" DIA SHAFT	1.000 EA
85XU0407S04	4X1/4 U DRIVE PIN STAINLESS	2.000 EA
LB1001	LABEL, GREASE-EXXON POLYREX EM	1.000 EA
WD1000A15	3-520132-2 AMP FLAG (4M/RL NON-CANC/NON-	2.000 EA
MJ1000A75	GREASE, POLYREX EM EXXON	0.050 LB
LD5000A23	LEAD ASSY, ML1400DF10 W/#10 RING 12"	1.000 EA
MG1025Z20	ACTIVATOR WILKOFAS 060.32	0.010 GA
SP5061A48	MODEL 36 TYPE LC, SMALL CAP CAN	1.000 EA
35CB4802A02SP	CAPACITOR COVER, STAMPED X W/AUTOPHORET	1.000 EA
HA3101A25	THRUBOLT 1/4-20 X 11.000 OHIO ROD	4.000 EA
MG1025C02	PAINT, 787.105 LITE TAN EPOXY (USE W/MG1	0.022 GA
LB1119	WARNING LABEL	1.000 EA
LB1125C01	STD (STOCK) CARTON LABEL BALDOR WITH FLA	1.000 EA
LC0017	CONN LABEL-1 PHASE-SINGLE VOLT-REV ROTNO	1.000 EA
NP1279L	ALUM FARM DUTY UL CSA CC	1.000 EA
NP1263L	AUX, GP, ALUM, CC, LASER ETCHED	1.000 EA
36PA1000	PACK GROUP W/LB5001	1.000 EA

Accessories		
Part Number	Description	Multiplier
36-1037	C FACE KIT	A8
36EP1405A09SP	D-FLANGE KIT	A8



CUSTOMER IS RESPONSIBLE FOR DETERMINING THAT MOTOR PERFORMANCE IS SUITABLE IN THE APPLICATION.

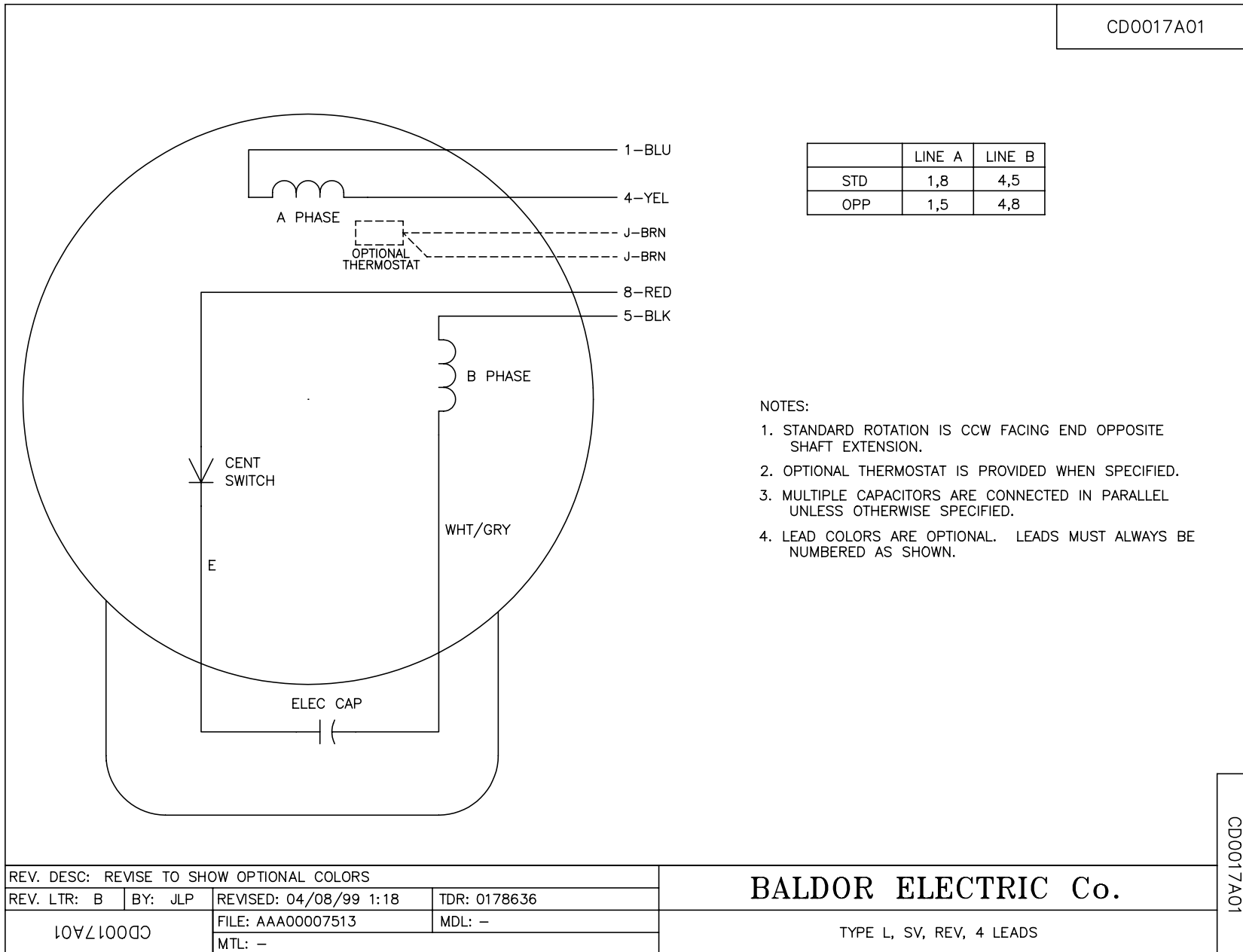
REV. DESC: ADDED EYEBOLT			
REV. LTR: G	BY: SSS	REVISED: 15:41:30 08/15/2002	TDR: 254586
36LYF549		FILE: AAA00004479	REF: 36LYF549
		MTL: -	

BALDOR ELECTRIC Co.

STD HORZ NEMA 182-4Z OPEN 36L (UNIV CROP DRYER)

36LYF549

CD0017A01



REV. DESC: REVISE TO SHOW OPTIONAL COLORS			
REV. LTR: B	BY: JLP	REVISED: 04/08/99 1:18	TDR: 0178636
10VZ10000		FILE: AAA00007513	MDL: -
CD0017A01		MTL: -	

BALDOR ELECTRIC Co.

TYPE L, SV, REV, 4 LEADS

CD0017A01