

BALDOR® • RELIANCE

Product Information Packet

UCL570

5-7 AIR OVERHP,3450RPM,1PH,60HZ,182TZ,36

Copyright © All product information within this document is subject to Baldor Electric Company copyright © protection, unless otherwise noted.

Part Detail									
Revision:	C	Status:	PRD/A	Change #:		Proprietary:	No		
Type:	AC	Prod. Type:	3646L	Elec. Spec:	36WG3027	CD Diagram:			
Enclosure:	OPAO	Mfg Plant:		Mech. Spec:	36M939	Layout:			
Frame:	182TZ	Mounting:	F1	Poles:	02	Created Date:	02-09-2010		
Base:	RG	Rotation:	R	Insulation:	F	Eff. Date:	10-31-2011		
Leads:	2#10 A PH,2#16 B PH 30	Literature:	Y	Elec. Diagram:		Replaced By:			
Nameplate NP1279L									
CAT.NO.	UCL570								
SPEC.	36M939-3027								
HP	5-7 AIR OVER								
VOLTS	230								
AMP	35								
RPM	3450								
FRAME	182TZ	HZ			60	PH	1		
SER.F.	1.00	CODE			M	DES	L	CL	F
NEMA-NOM-EFF	80	PF			82				
RATING	40C AMB-CONT								
CC				USABLE AT 208V					
DE	6206	ODE			6205				
ENCL	OPAO	SN							

Nameplate NP1263L									
CAT.NO.	UCL570								
SPEC.	36M939-3027								
HP	5-7 AIR OVER								
VOLTS	230								
AMP	35								
RPM	3450								
FRAME	182TZ	HZ	60	PH	1				
SER.F.	1.00	CODE	M	DES	L	CL	F		
NEMA-NOM-EFF	80	PF	82						
RATING	40C AMB-CONT								
CC	USABLE AT 208V								
DE	6206	ODE	6205						
ENCL	OPAO	SN							

Parts List		
Part Number	Description	Quantity
SA190988	SA 36M939-3027	1.000 EA
RA178652	RA 36M939-3027	1.000 EA
EC1216C06SP	ELEC CAP, 216-259 MFD, 250V, 2.06D X 4.	2.000 EA
HA6021A01SP	ADAPTOR, MACH	1.000 EA
51XB1016A07	10-16 X 7/16 HXWSSLD SERTYB	2.000 EA
11XW1032G06	10-32 X .38, TAPTITE II, HEX WSHR SLTD U	1.000 EA
HW3001B02	BRASS CUP WASHER W/GROUND SYMBOL TAB,	1.000 EA
36EP3200A37	FR ENDPLATE, MACH W/GRD SCREW 30 DEG OFF	1.000 EA
HA1103A08	RODENT SCREEN, 36 FRAME, OPEN, FRONT END	1.000 EA
51XW1032A06	10-32 X .38, TAPTITE II, HEX WSHR SLTD S	4.000 EA
HW1000A10	#10 FLAT WASHER (SAE)	4.000 EA
HW4500A19	1/4-28X1/4 SLOTTED PLUG F/S	2.000 EA
13XF0832A08	8-32 X.50 PAN HD,SLTD, TYPE F SCREW, ZIN	2.000 EA
SP1008A01	BAFFLE, MODEL 36 & 37	1.000 EA
NS2501A01	INSULATOR, CAPACITOR	2.000 EA
51XB1016A05	10-16X5/16HX WA SL SR TYB (F/S)	4.000 EA
HW5100A05	WVY WSHR F/205 & 304 BRGS	1.000 EA
36EP3201A03	FR/PU ENDPLATE, MACH	1.000 EA
HA1103A10	RODENT SCREEN, 36 FRAME, OPEN, PULLEY EN	1.000 EA
51XW1032A06	10-32 X .38, TAPTITE II, HEX WSHR SLTD S	4.000 EA
HW1000A10	#10 FLAT WASHER (SAE)	4.000 EA
HW4500A19	1/4-28X1/4 SLOTTED PLUG F/S	2.000 EA
10XN2520A20	1/4-20X 1 1/4 HEX HD X	2.000 EA
HW1001A25	LOCKWASHER 1/4, ZINC PLT .493 OD, .255 I	2.000 EA

Parts List (continued)		
Part Number	Description	Quantity
XY2520A12	1/4-20 HEX NUT, DIRECTIONAL SERRATIONS	4.000 EA
HW2501E18	KEY, 1/4 SQ X 2.000	1.000 EA
HA7000A02	KEY RETAINER RING, 1 1/8 DIA, 1 3/8 DIA	1.000 EA
85XU0407S04	4X1/4 U DRIVE PIN STAINLESS	2.000 EA
LB1001	LABEL, GREASE-EXXON POLYREX EM	1.000 EA
HW3200A01	3/8-16X3/4 I-BLT WELDED F/S	1.000 EA
MJ1000A75	GREASE, POLYREX EM EXXON	0.050 LB
LB1115	LABEL,LIFTING DEVICE	1.000 EA
MG1025Z20	ACTIVATOR WILKOFAS 060.32	0.010 GA
LD5000A24	LEAD ASSY, ML1400DF10 W/#10 RING 12"	1.000 EA
SP5172A13	37 TYPE L TORQ STAT SWITCH LEAD ASSEMBLY	1.000 EA
WD1000A15	3-520132-2 AMP FLAG (4M/RL NON-CANC/NON-	4.000 EA
35CB4802A02SP	CAPACITOR COVER, STAMPED X W/AUTOPHORET	2.000 EA
HA3101A28	THRUBOLT 1/4-20 X 12.500 OHIO ROD	4.000 EA
MG1025C02	PAINT, 787.105 LITE TAN EPOXY (USE W/MG1	0.022 GA
LB1119	WARNING LABEL	1.000 EA
LB1125C01	STD (STOCK) CARTON LABEL BALDOR WITH FLA	1.000 EA
LC0017	CONN LABEL-1 PHASE-SINGLE VOLT-REV ROTNO	1.000 EA
NP1279L	ALUM FARM DUTY UL CSA CC	1.000 EA
NP1263L	AUX, GP, ALUM, CC, LASER ETCHED	1.000 EA
36PA1001	PACKAGING GROUP	1.000 EA

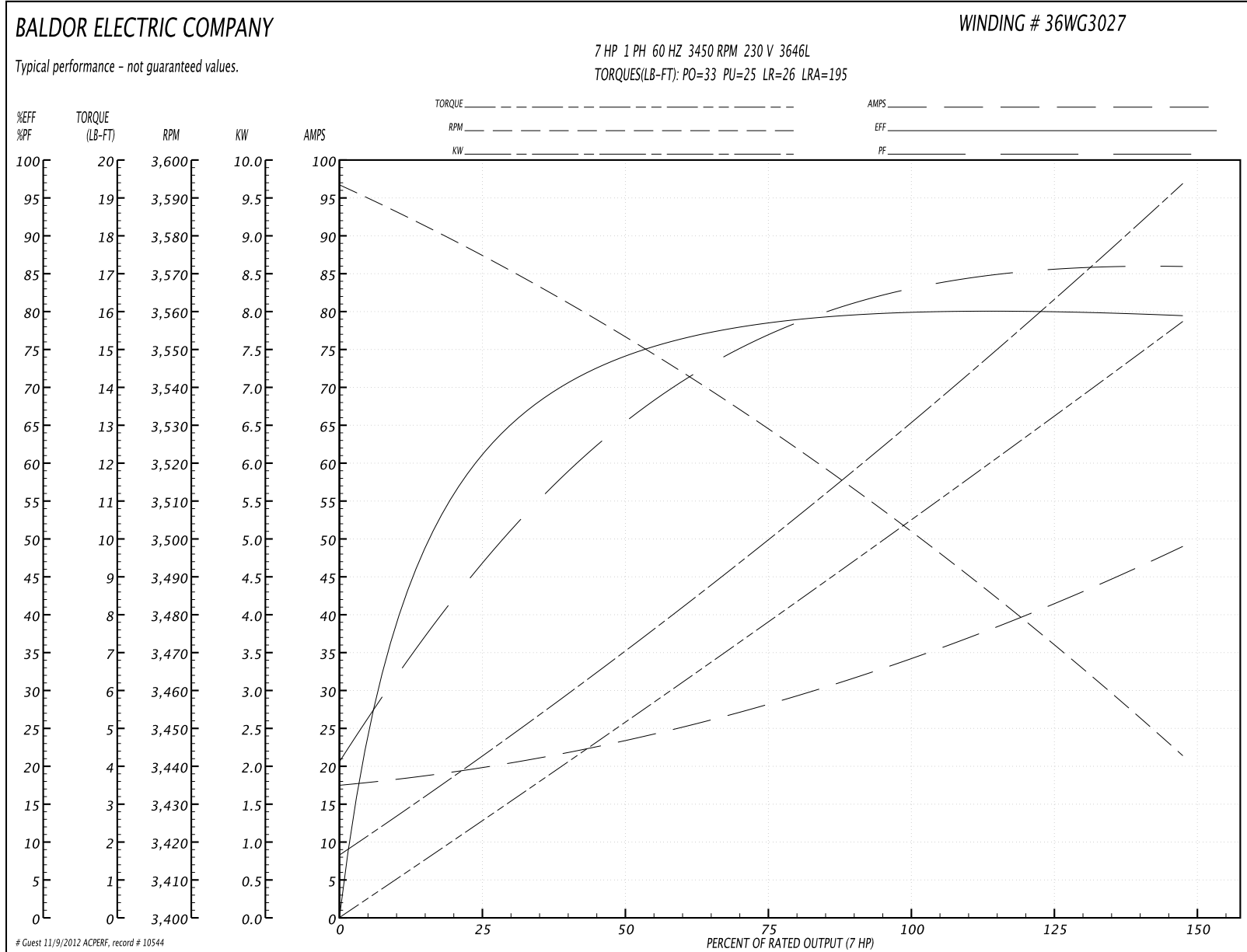
Accessories		
Part Number	Description	Multiplier
36-3403	C FACE KIT	A8
36EP1405A09SP	D-FLANGE KIT	A8

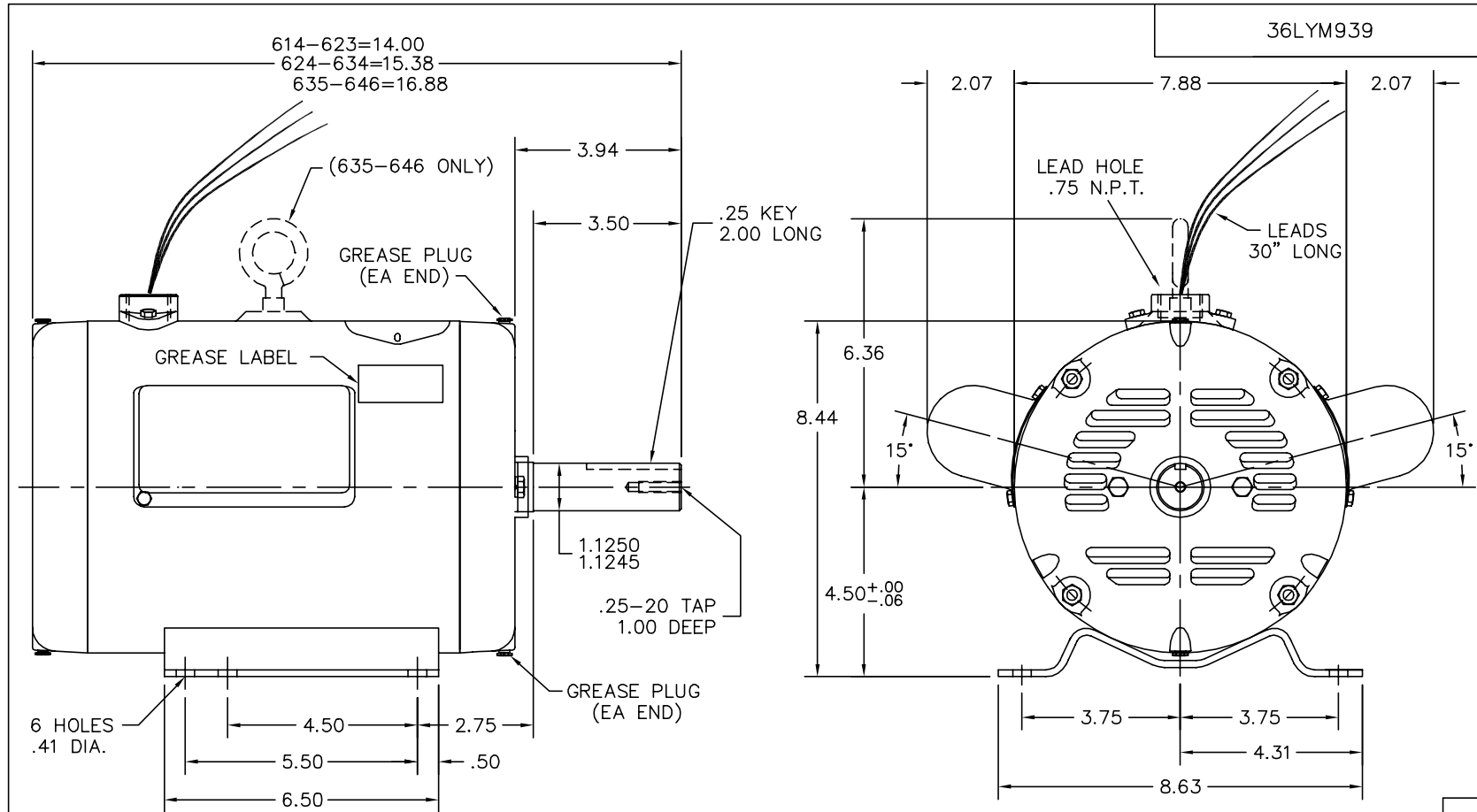
Performance Data at 230V, 60Hz, 7.0HP (Typical performance - Not guaranteed values)

General Characteristics			
Full Load Torque:	10.5 LB-FT	Start Configuration:	DOL
No-Load Current:	17.7 Amps	Break-Down Torque:	33.0 LB-FT
Line-line Res. @ 25°C.:	0.206 Ohms A Ph / 1.08 Ohms B Ph	Pull-Up Torque:	25.0 LB-FT
Temp. Rise @ Rated Load:		Locked-Rotor Torque:	26.0 LB-FT
Temp. Rise @ S.F. Load:		Starting Current:	195.0 Amps

Load Characteristics							
% of Rated Load	25	50	75	100	125	150	S.F.
Power Factor:	47.0	66.0	77.0	83.0	86.0	88.0	0.0
Efficiency:	61.2	74.0	78.5	80.1	80.2	79.3	0.0
Speed:	3574.0	3552.0	3528.0	3503.0	3474.0	3442.0	0.0
Line Amperes:	19.6	23.4	28.4	34.4	41.2	48.9	0.0

Performance Graph at 230V, 60Hz, 7.0HP Typical performance - Not guaranteed values





CUSTOMER IS RESPONSIBLE FOR DETERMINING THAT BALDOR'S PRODUCT WILL PERFORM SUITABLY IN THE INTENDED APPLICATION.

REV. DESC: NEW		
REV. LTR: -	VERSION: 00	TDR: 000000527135
FILE: \AAA\00169\407		REVISED: 09:11:00 02/09/2010
MTL: -		BY: ENERIOO

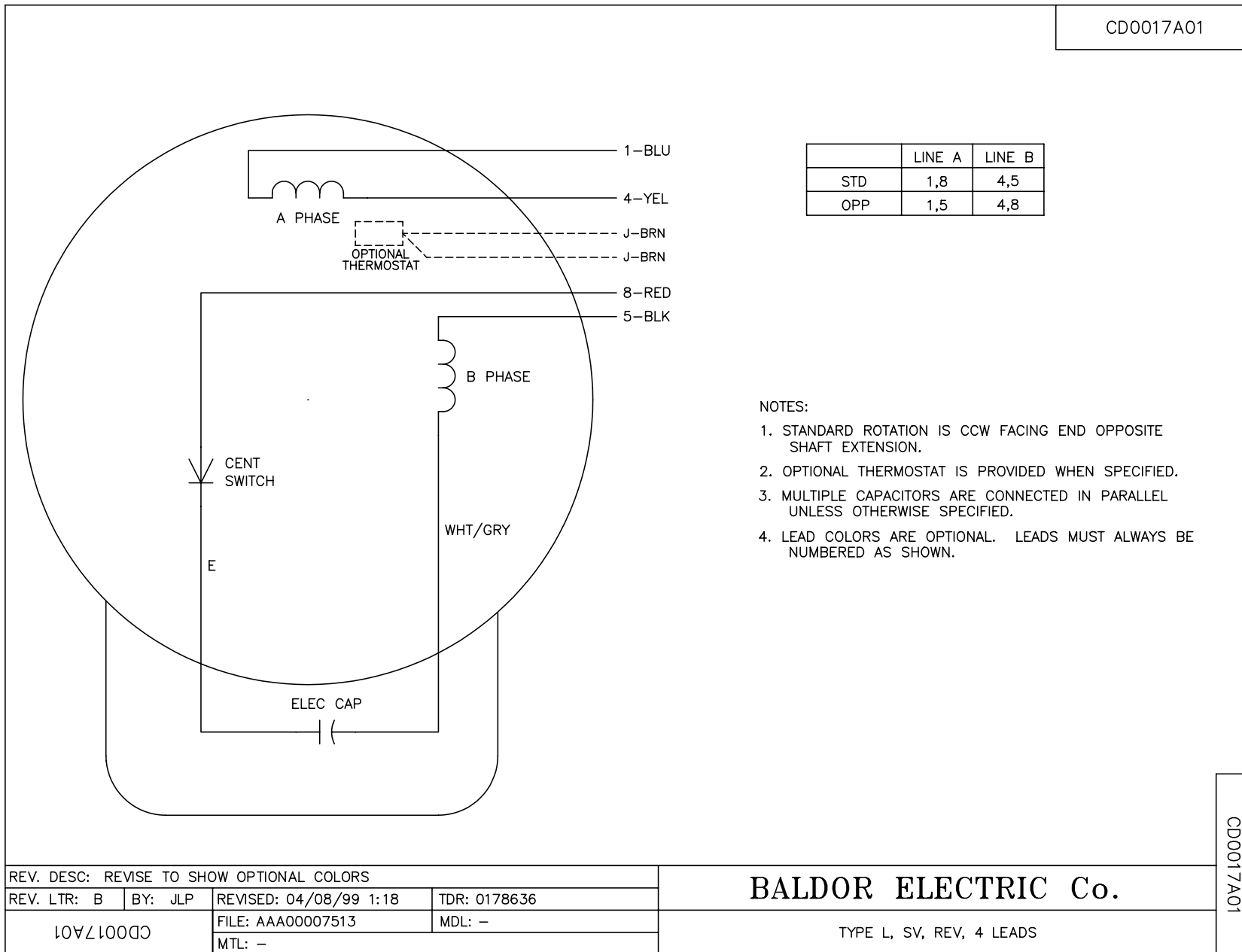
BALDOR • DODGE • RELIANCE

HORZ 182-4TZ OPEN 36L-LC (UNIV CROP DRYER), TORQ SWITCH

SH 1 of 1

36LYM939

CD0017A01



REV. DESC: REVISE TO SHOW OPTIONAL COLORS			
REV. LTR: B	BY: JLP	REVISED: 04/08/99 1:18	TDR: 0178636
CD0017A01		FILE: AAA00007513	MDL: -
		MTL: -	

BALDOR ELECTRIC Co.

TYPE L, SV, REV, 4 LEADS

CD0017A01