

# **BALDOR**® • *RELIANCE*

## **Product Information Packet**

# **UCL7510**

**7.5-10.5 AIR OVERHP,3450RPM,1PH,60HZ,215**

Copyright © All product information within this document is subject to Baldor Electric Company copyright © protection, unless otherwise noted.

Part Detail							
Revision:	B	Status:	PRD/A	Change #:		Proprietary:	No
Type:	AC	Prod. Type:	3729L	Elec. Spec:	37WGZ089	CD Diagram:	
Enclosure:	OPAO	Mfg Plant:		Mech. Spec:	37E767	Layout:	
Frame:	215Z	Mounting:	F1	Poles:	02	Created Date:	03-05-2010
Base:	RG	Rotation:	R	Insulation:	F	Eff. Date:	10-11-2011
Leads:	2#8 A PH,2#14 B PH 32	Literature:	Y	Elec. Diagram:		Replaced By:	

Nameplate NP1279L									
CAT.NO.	UCL7510								
SPEC.	37E767Z089G1								
HP	7.5-10.5 AIR OVER								
VOLTS	230								
AMP	37-46								
RPM	3450								
FRAME	215Z	HZ	60	PH	1				
SER.F.	1.00	CODE	F	DES	L	CL	F		
NEMA-NOM-EFF	81	PF	82						
RATING	40C AMB-CONT								
CC			USABLE AT 208V						
DE	6307	ODE		6206					
ENCL	OPAO	SN							

Nameplate NP1263L									
CAT.NO.	UCL7510								
SPEC.	37E767Z089G1								
HP	7.5-10.5 AIR OVER								
VOLTS	230								
AMP	37-46								
RPM	3450								
FRAME	215Z	HZ	60	PH	1				
SER.F.	1.00	CODE	F	DES	L	CL	F		
NEMA-NOM-EFF	81	PF	82						
RATING	40C AMB-CONT								
CC	USABLE AT 208V								
DE	6307	ODE	6206						
ENCL	OPAO	SN							

Parts List		
Part Number	Description	Quantity
SA191802	SA 37E767Z089G1	1.000 EA
RA179460	RA 37E767Z089G1	1.000 EA
EC1216C06SP	ELEC CAP, 216-259 MFD, 250V, 2.06D X 4.	2.000 EA
HW3200A01	3/8-16X3/4 I-BLT WELDED F/S	1.000 EA
HA6011A01	ADAPTOR, MACH	1.000 EA
51XF2520A08	SCREW, HEX SER SLT HD, ZN 1/4-20 X .50 L	2.000 EA
11XW1032G06	10-32 X .38, TAPTITE II, HEX WSHR SLTD U	1.000 EA
HW3001B01	003SS CUP WASHER, FOR #8 SCREW	1.000 EA
37EP3200A05	FR ENDPLATE MACH	1.000 EA
HW4500A19	1/4-28X1/4 SLOTTED PLUG F/S	2.000 EA
HA1104A01	RODENT SCREEN 37 FRAME 206 BRG FRONT END	1.000 EA
51XW1032A06	10-32 X .38, TAPTITE II, HEX WSHR SLTD S	4.000 EA
HW1000A10	#10 FLAT WASHER (SAE)	4.000 EA
SP1008A01	BAFFLE, MODEL 36 & 37	1.000 EA
13XT0832A07	8-32X7/16 TYP 23 PAN HD SLT DX	2.000 EA
NS2501A01	INSULATOR, CAPACITOR	2.000 EA
35CB4802A02SP	CAPACITOR COVER, STAMPED X W/AUTOPHORET	2.000 EA
51XB1016A05	10-16X5/16HX WA SL SR TYB (F/S)	4.000 EA
HW5100A06	W2420-025 WVY WSHR (WB)	1.000 EA
37EP3201A03	PU ENDPLATE, MACH	1.000 EA
HW4500A19	1/4-28X1/4 SLOTTED PLUG F/S	2.000 EA
HA1104A05	RODENT SCREEN 37 FRAME 207 BRG PULLEY EN	1.000 EA
51XW1032A06	10-32 X .38, TAPTITE II, HEX WSHR SLTD S	2.000 EA
HW1025A10	#10 BALANCE WASHER (SPL)	2.000 EA

Parts List (continued)		
Part Number	Description	Quantity
10XN2520A28	1/4-20X 1 3/4 HEX HD	4.000 EA
HW1001A25	LOCKWASHER 1/4, ZINC PLT .493 OD, .255 I	4.000 EA
XY3118A12	5/16-18 HEX NUT DIRECTIONAL SERRATION	4.000 EA
HA7000A02	KEY RETAINER RING, 1 1/8 DIA, 1 3/8 DIA	1.000 EA
LB1115	LABEL,LIFTING DEVICE	1.000 EA
LB1001	LABEL, GREASE-EXXON POLYREX EM	1.000 EA
85XU0407S04	4X1/4 U DRIVE PIN STAINLESS	2.000 EA
MJ1000A75	GREASE, POLYREX EM EXXON	0.050 LB
HW2501E26	KEY, 1/4 SQ X 3.000	1.000 EA
MG1025C02	PAINT, 787.105 LITE TAN EPOXY (USE W/MG1	0.028 GA
MG1025Z20	ACTIVATOR WILKOFAS 060.32	0.010 GA
LD5000A34	LEAD ASSY, ML1400DF08 W/#10 RING 12"	1.000 EA
WD1000A15	3-520132-2 AMP FLAG (4M/RL NON-CANC/NON-	4.000 EA
SP5172A10	TORQ MODEL 37 TYPE LC SPLIT CAPS,	1.000 EA
HA3104A14	THRUBOLT- 5/16-18 X12.125(OHIO)	4.000 EA
LB1119	WARNING LABEL	1.000 EA
LB1125C01	STD (STOCK) CARTON LABEL BALDOR WITH FLA	1.000 EA
LC0086	CONNECTION LABEL	1.000 EA
NP1279L	ALUM FARM DUTY UL CSA CC	1.000 EA
NP1263L	AUX, GP, ALUM, CC, LASER ETCHED	1.000 EA
G0PA1000	PACKAGING GROUP	1.000 EA

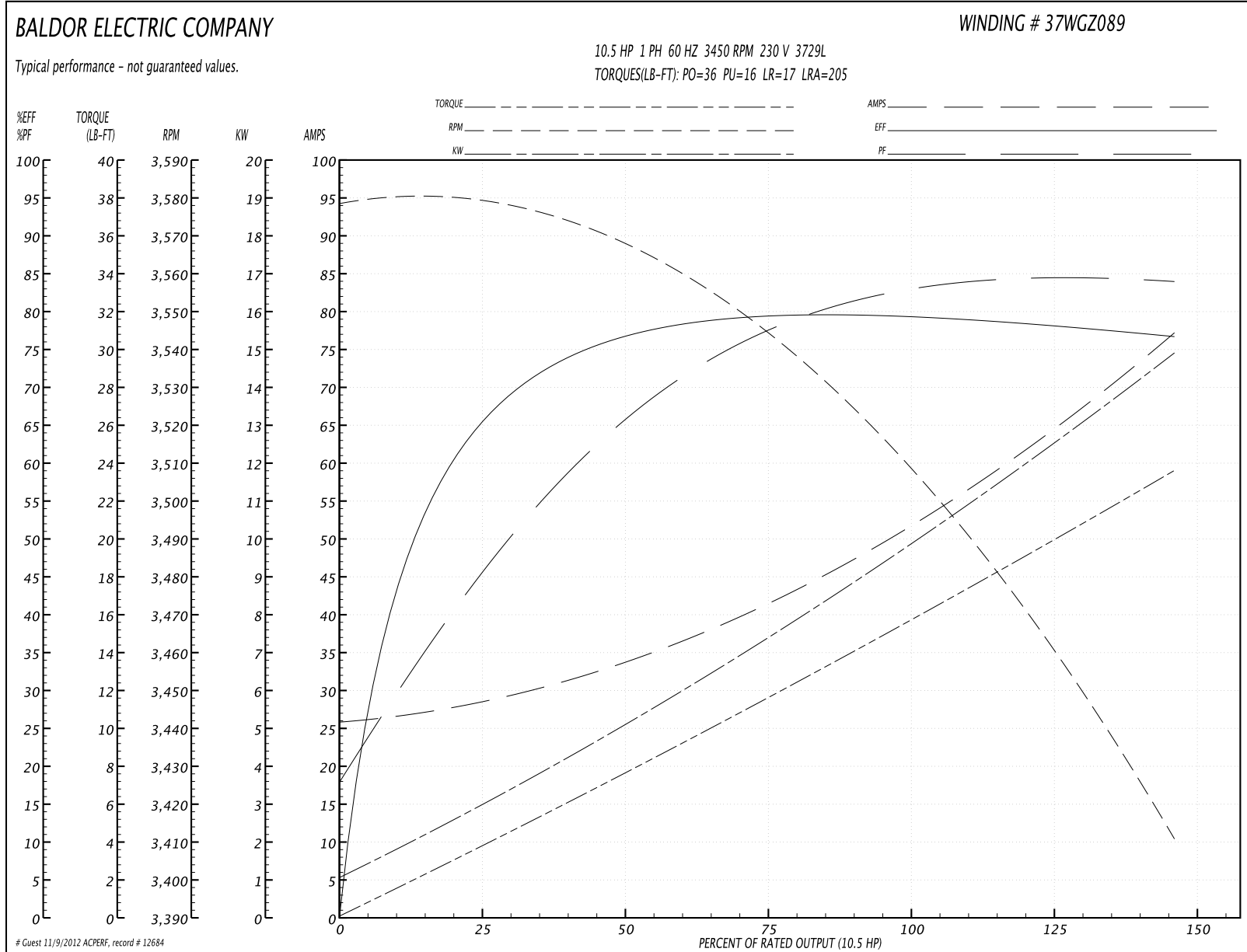
Accessories		
Part Number	Description	Multiplier
37-1404	C FACE KIT	A8

**Performance Data at 230V, 60Hz, 10.5HP (Typical performance - Not guaranteed values)**

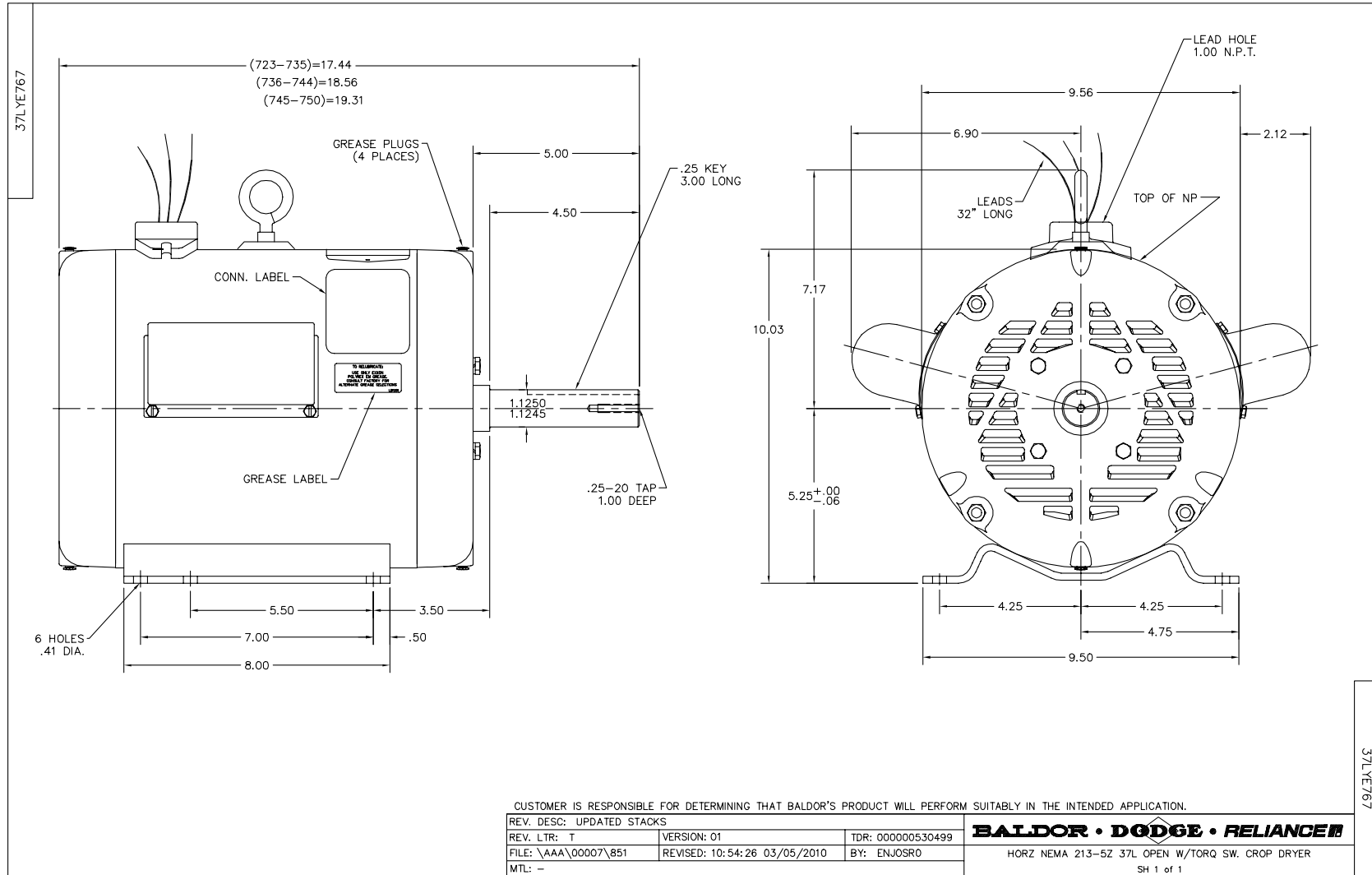
General Characteristics			
Full Load Torque:	15.8 LB-FT	Start Configuration:	DOL
No-Load Current:	25.7 Amps	Break-Down Torque:	36.0 LB-FT
Line-line Res. @ 25°C.:	0.194 Ohms A Ph / 0.743 Ohms B Ph	Pull-Up Torque:	16.0 LB-FT
Temp. Rise @ Rated Load:		Locked-Rotor Torque:	17.0 LB-FT
Temp. Rise @ S.F. Load:		Starting Current:	205.0 Amps

Load Characteristics							
% of Rated Load	25	50	75	100	125	150	S.F.
Power Factor:	46.0	65.0	76.0	82.0	85.0	86.0	0.0
Efficiency:	64.8	76.0	79.3	79.8	78.7	76.3	0.0
Speed:	3570.0	3544.0	3515.0	3583.0	3444.0	3397.0	0.0
Line Amperes:	28.5	34.3	42.2	52.0	63.6	77.5	0.0

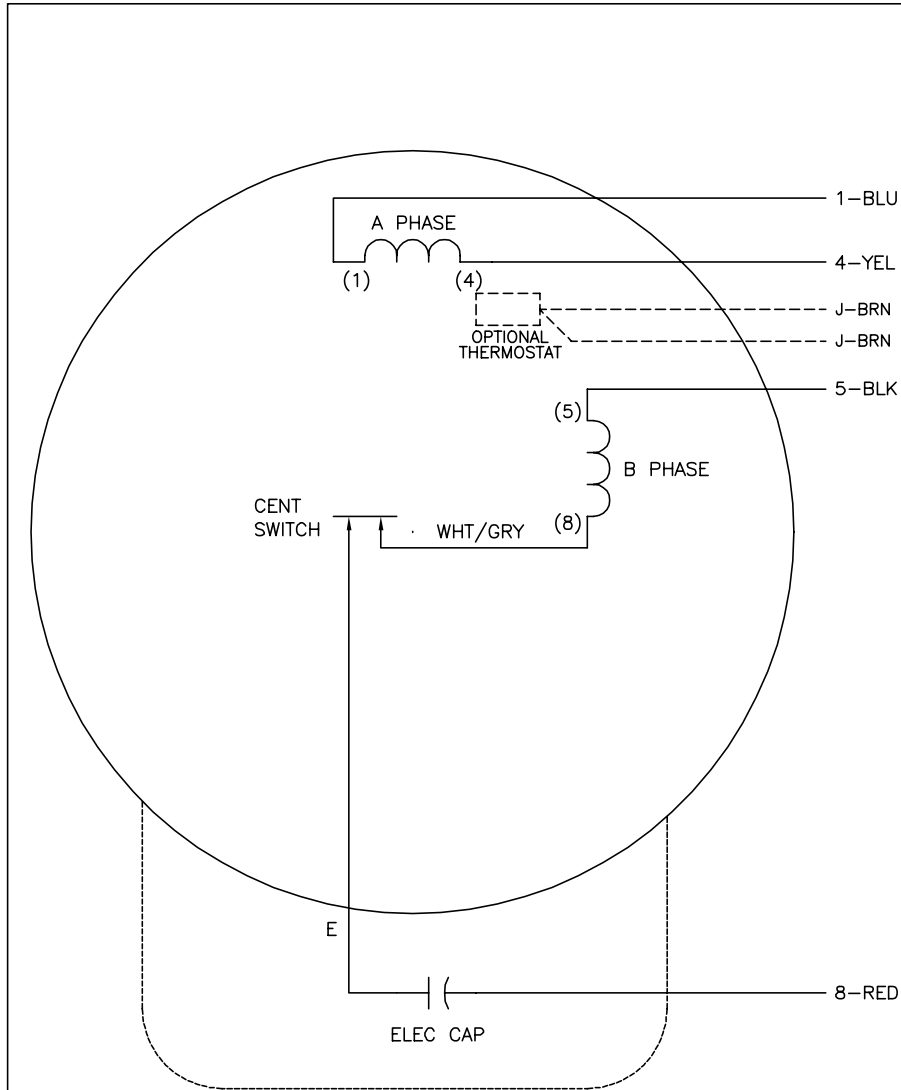
Performance Graph at 230V, 60Hz, 10.5HP Typical performance - Not guaranteed values







CD0086A01



	LINE A	LINE B
STD	1,8	4,5
OPP	1,5	4,8

NOTES:

1. STANDARD ROTATION IS CCW FACING END OPPOSITE SHAFT EXTENSION.
2. OPTIONAL THERMOSTAT IS PROVIDED WHEN SPECIFIED.
3. MULTIPLE CAPACITORS ARE CONNECTED IN PARALLEL UNLESS OTHERWISE SPECIFIED.
4. CAPACITORS MAY BE SEPERATELY MOUNTED.
5. LEAD COLORS ARE OPTIONAL. LEADS MUST ALWAYS BE NUMBERED AS SHOWN.

REV. DESC: NEW, REPLACE CD0086 ON TYPE L MOTORS		
REV. LTR: -	VERSION: 00	TDR: 000000378161
10V980000	FILE: \AAA\00131\051	REVISED: 10:21:26 10/28/2005
CD0086A01	MTL: -	BY: ENJOEPO

**BALDOR ELECTRIC Co.**

TYPE L, SV, REV, 4 LEADS, CAPS MAY BE SEP MTD

CD0086A01