

BALDOR® • **RELIANCE**

Product Information Packet

UCLE153

1.5HP,3450RPM,1PH,60HZ,145TZ,3532LC,TEAO

Copyright © All product information within this document is subject to Baldor Electric Company copyright © protection, unless otherwise noted.

Part Detail							
Revision:	AB	Status:	PRD/A	Change #:		Proprietary:	No
Type:	AC	Prod. Type:	3532LC	Elec. Spec:	35WGT138	CD Diagram:	
Enclosure:	TEAO	Mfg Plant:		Mech. Spec:	35T928	Layout:	
Frame:	145TZ	Mounting:	F1	Poles:	02	Created Date:	06-22-2007
Base:	RG	Rotation:	R	Insulation:	F	Eff. Date:	07-30-2012
Leads:	2#14 A PH 30"LG,2#18 B	Temperature:	Y	Elec. Diagram:		Replaced By:	

Nameplate NP1279L									
CAT.NO.	UCLE153								
SPEC.	35T928T138G1								
HP	1.5-3								
VOLTS	230								
AMP	12.5								
RPM	3450								
FRAME	145TZ	HZ			60	PH	1		
SER.F.	1.15	CODE			G	DES	L	CL	F
NEMA-NOM-EFF	85.5	PF			95				
RATING	40C AMB-CONT								
CC	USABLE AT 208V			13.7					
DE	6206	ODE			6203				
ENCL	TEAO	SN							

Nameplate NP1263L									
CAT.NO.	UCLE153								
SPEC.	35T928T138G1								
HP	1.5-3								
VOLTS	230								
AMP	12.5								
RPM	3450								
FRAME	145TZ	HZ	60	PH	1				
SER.F.	1.15	CODE	G	DES	L	CL	F		
NEMA-NOM-EFF	85.5	PF	95						
RATING	40C AMB-CONT								
CC	USABLE AT 208V		13.7						
DE	6206	ODE	6203						
ENCL	TEAO	SN							

Parts List		
Part Number	Description	Quantity
SA108776	SA 35T928T138G1	1.000 EA
RA100298	RA 35T928T138G1	1.000 EA
OC3035F09SP	CYL OIL CAP 35MFD/370V	1.000 EA
EC1216C06SP	ELEC CAP, 216-259 MFD, 250V, 2.06D X 4.	1.000 EA
WD3006A01	RSS-2-103JT 2W 10K RES. METAL OXIDE 5%	1.000 EA
HA6021A01SP	ADAPTOR, MACH	1.000 EA
36GS5000	GASKET CONDUIT ADAPTOR	1.000 EA
51XB1016A07	10-16 X 7/16 HXWSSLD SERTYB	2.000 EA
11XW1032G06	10-32 X .38, TAPTITE II, HEX WSHR SLTD U	1.000 EA
35EP3100B54	FR EP TENV 35L/M 203 BRG. W/(2)GREASERS	1.000 EA
HW4500A19	1/4-28X1/4 SLOTTED PLUG F/S	2.000 EA
51XW0832A07	8-32 X .44, TAPTITE II, HEX WSHR SLTD SE	2.000 EA
NS2501A01	INSULATOR, CAPACITOR	2.000 EA
35CB4802A02SP	CAPACITOR COVER, STAMPED X W/AUTOPHORET	2.000 EA
51XB1016A05	10-16X5/16HX WA SL SR TYB (F/S)	4.000 EA
HW5100A03SP	WAVY WASHER (W1543-017)	1.000 EA
35EP3113A12	PU EP ENCL 06 BRG W/PLUGS, LOCKED BRG, L	1.000 EA
HW4500A19	1/4-28X1/4 SLOTTED PLUG F/S	2.000 EA
10XN2520A24	1/4-20X 1 1/2 HEX HD X	2.000 EA
HW1001A25	LOCKWASHER 1/4, ZINC PLT .493 OD, .255 I	2.000 EA
XY1032A02	10-32 HEX NUT DIRECTIONAL SERRATION	4.000 EA
HW2501D13SP	KEY, 3/16 SQ X 1.375	1.000 EA
HA7000A01	KEY RETAINER 7/8" DIA SHAFT	1.000 EA
85XU0407S04	4X1/4 U DRIVE PIN STAINLESS	2.000 EA

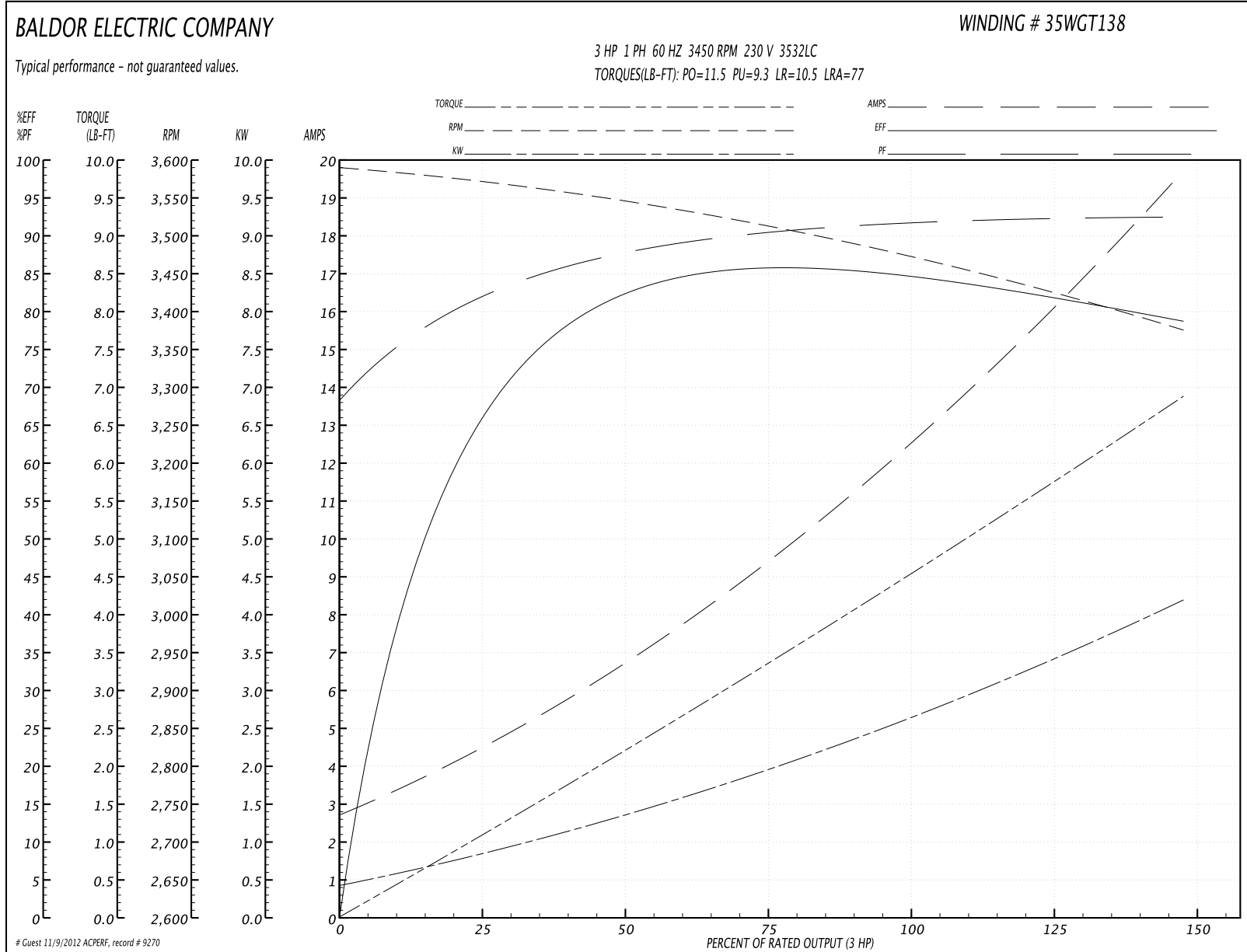
Parts List (continued)		
Part Number	Description	Quantity
LB1001	LABEL, GREASE-EXXON POLYREX EM	1.000 EA
ML1400DF14	14 AWG,BLANK,GREEN w/YELLOW STRIPE	35.000 IN
WD1000H04	HOLL#R4161SFT,INSL.RING,16-14 GA,#10 STU	1.000 EA
WD1000A15	3-520132-2 AMP FLAG (4M/RL NON-CANC/NON-	2.000 EA
MJ1000A75	GREASE, POLYREX EM EXXON	0.050 LB
MG1025C02	PAINT, 787.105 LITE TAN EPOXY (USE W/MG1	0.017 GA
SP5181A12	MODEL 35 LC TORQ STAT SWITCH LEAD ASSY	1.000 EA
35GS3001A02	GASKET, CA.COVER, 5.38 LONG .06 CS301	2.000 EA
HA3100A24	THRUBOLT 10-32 X 10.625	4.000 EA
LB1119	WARNING LABEL	1.000 EA
LB1125C01	STD (STOCK) CARTON LABEL BALDOR WITH FLA	1.000 EA
LC0017	CONN LABEL-1 PHASE-SINGLE VOLT-REV ROTNO	1.000 EA
NP1279L	ALUM FARM DUTY UL CSA CC	1.000 EA
NP1263L	AUX, GP, ALUM, CC, LASER ETCHED	1.000 EA
36PA1000	PACK GROUP W/LB5001	1.000 EA

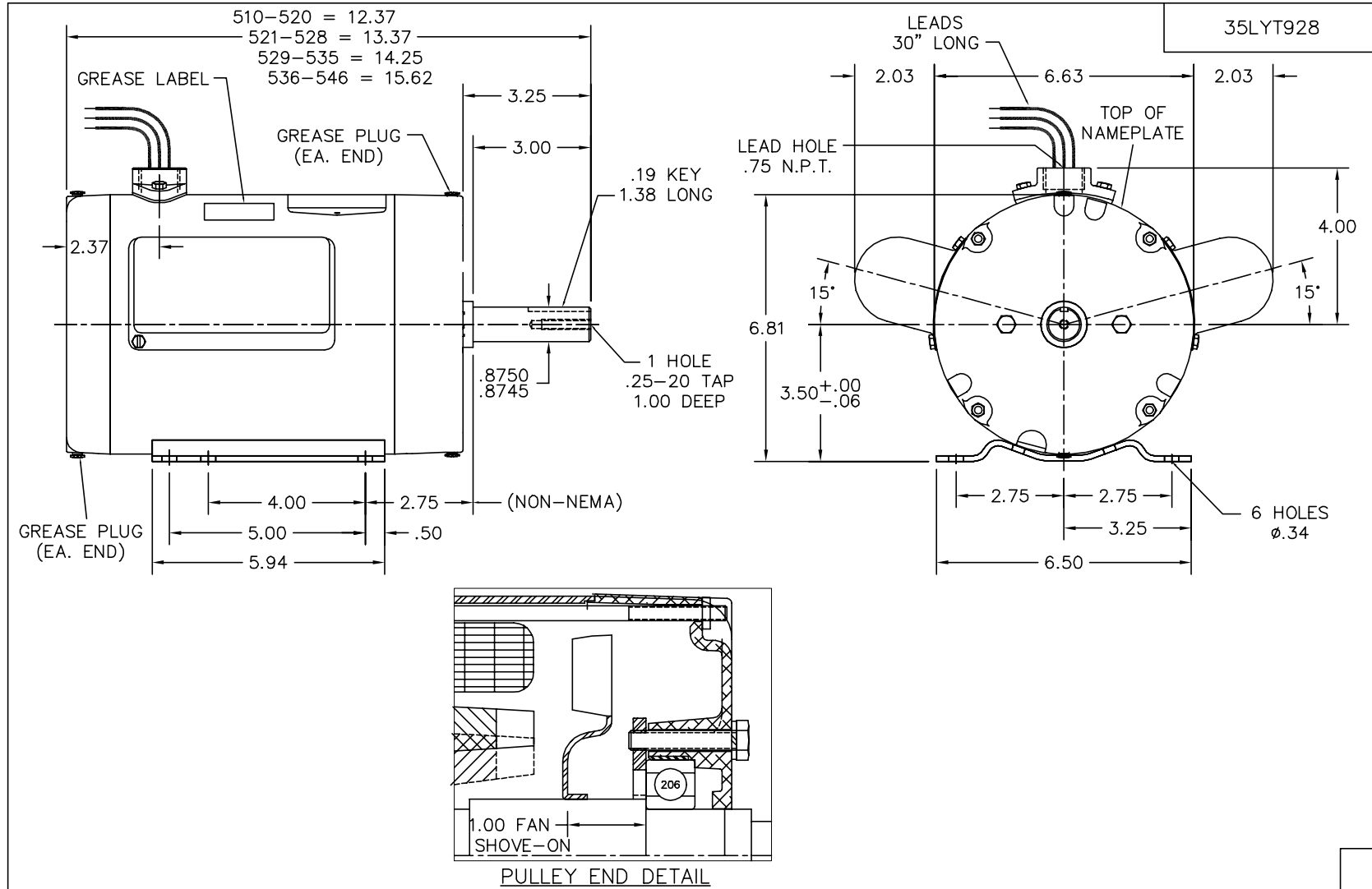
Accessories		
Part Number	Description	Multiplier
35-1325	C FACE KIT	A8

Performance Data at 230V, 60Hz, 3.0HP (Typical performance - Not guaranteed values)

General Characteristics							
Full Load Torque:	4.6 LB-FT			Start Configuration:	DOL		
No-Load Current:	2.6 Amps			Break-Down Torque:	11.5 LB-FT		
Line-line Res. @ 25°C.:	0.766 Ohms A Ph / 1.45 Ohms B Ph			Pull-Up Torque:	9.3 LB-FT		
Temp. Rise @ Rated Load:				Locked-Rotor Torque:	10.5 LB-FT		
Temp. Rise @ S.F. Load:				Starting Current:	77.0 Amps		
Load Characteristics							
% of Rated Load	25	50	75	100	125	150	S.F.
Power Factor:	76.0	87.0	92.0	92.0	93.0	92.0	0.0
Efficiency:	72.0	80.0	85.0	85.5	82.0	78.5	0.0
Speed:	3565.0	3540.0	3510.0	3475.0	3430.0	3370.0	0.0
Line Amperes:	4.6	7.2	9.6	12.5	16.0	19.9	14.4

Performance Graph at 230V, 60Hz, 3.0HP Typical performance - Not guaranteed values



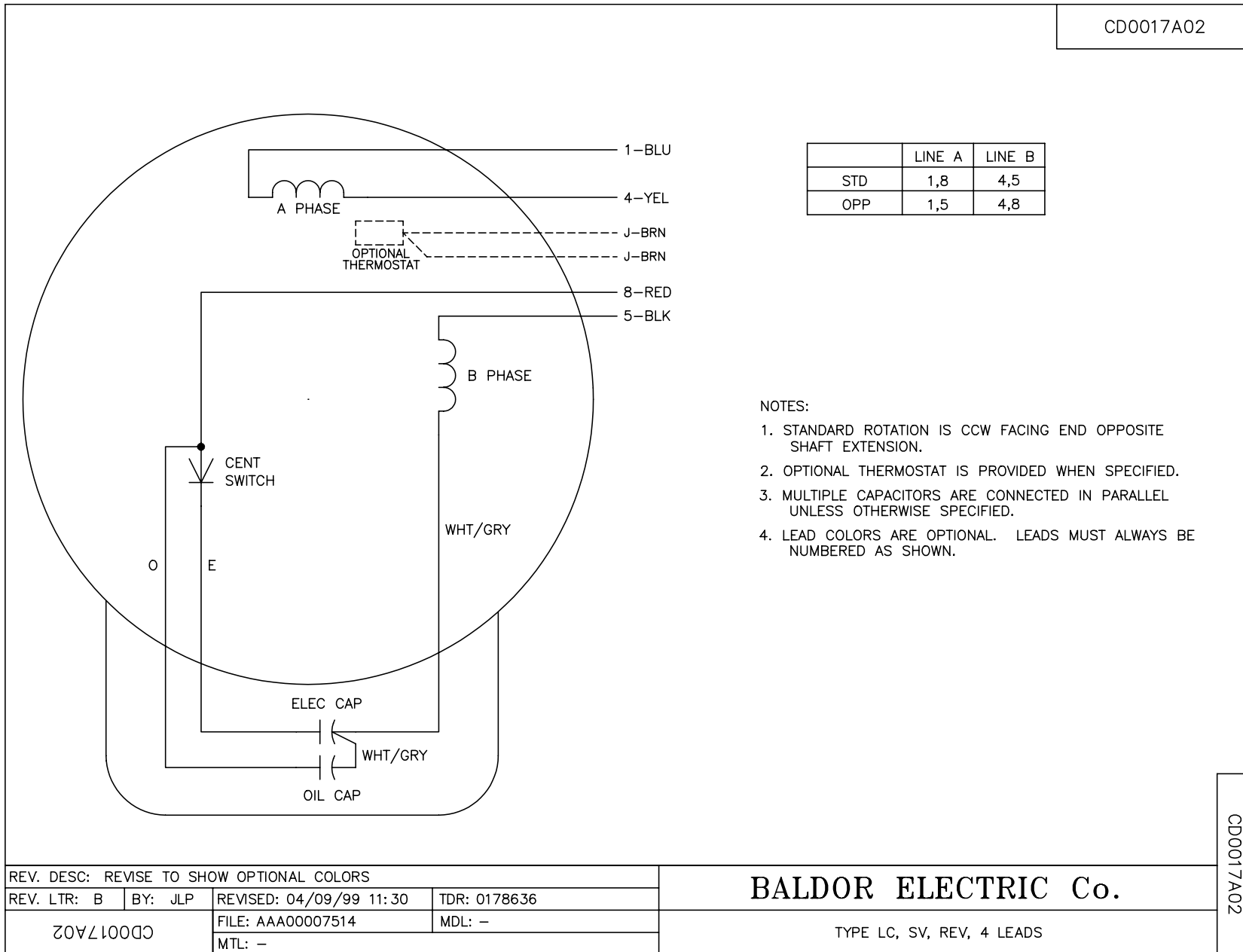


CUSTOMER IS RESPONSIBLE FOR DETERMINING THAT MOTOR PERFORMANCE IS SUITABLE IN THE APPLICATION.

REV. DESC: NEW				BALDOR ELECTRIC Co.	
REV. LTR: -	BY: KCT	REVISED: 15:34:35 11/06/2003	TDR: 317133		
35LYT928		FILE: AAA00111085	REF: 35LYT928	HOR 143-5TZ TENV W/(2)L BXS,T'STAT,2 POLE "W" BASE(35BA4009)	
		MTL: -			

35LYT928

CD0017A02



CD0017A02

REV. DESC: REVISE TO SHOW OPTIONAL COLORS			
REV. LTR: B	BY: JLP	REVISED: 04/09/99 11:30	TDR: 0178636
CD0017A02		FILE: AAA00007514	MDL: -
		MTL: -	

BALDOR ELECTRIC Co.

TYPE LC, SV, REV, 4 LEADS