

BALDOR® • *RELIANCE*

Product Information Packet

UCLE3145

3-4.5HP, 3450RPM, 1PH, 60HZ, 145TZ, 3540LC

Copyright © All product information within this document is subject to Baldor Electric Company copyright © protection, unless otherwise noted.

| Part Detail | | | | | | | |
|-------------|------------------------|--------------|--------|----------------|----------|---------------|------------|
| Revision: | AH | Status: | PRD/A | Change #: | | Proprietary: | No |
| Type: | AC | Prod. Type: | 3540LC | Elec. Spec: | 35WGT164 | CD Diagram: | |
| Enclosure: | TEAO | Mfg Plant: | | Mech. Spec: | 35T928 | Layout: | |
| Frame: | 145TZ | Mounting: | F1 | Poles: | 02 | Created Date: | 06-22-2007 |
| Base: | RG | Rotation: | R | Insulation: | F | Eff. Date: | 07-30-2012 |
| Leads: | 2#14 A PH 30"LG,2#18 B | Temperature: | Y | Elec. Diagram: | | Replaced By: | |

| Nameplate NP1279L | | | | | | | |
|-------------------|----------------|------|--|----|------|-----|--------|
| CAT.NO. | UCLE3145 | | | | | | |
| SPEC. | 35T928T164G1 | | | | | | |
| HP | 3-4.5 | | | | | | |
| VOLTS | 230 | | | | | | |
| AMP | 12.5-18.5 | | | | | | |
| RPM | 3450 | | | | | | |
| FRAME | 145TZ | HZ | | | 60 | PH | 1 |
| SER.F. | 1.00 | CODE | | | K | DES | - CL F |
| NEMA-NOM-EFF | 82.5 | PF | | | 97 | | |
| RATING | 40C AMB-CONT | | | | | | |
| CC | USABLE AT 208V | | | 20 | | | |
| DE | 6206 | ODE | | | 6203 | | |
| ENCL | TEAO | SN | | | | | |
| | | | | | | | |

| Nameplate NP1263L | | | | | | | | | |
|-------------------|----------------|------|------|-----|---|----|---|--|--|
| CAT.NO. | UCLE3145 | | | | | | | | |
| SPEC. | 35T928T164G1 | | | | | | | | |
| HP | 3-4.5 | | | | | | | | |
| VOLTS | 230 | | | | | | | | |
| AMP | 12.5-18.5 | | | | | | | | |
| RPM | 3450 | | | | | | | | |
| FRAME | 145TZ | HZ | 60 | PH | 1 | | | | |
| SER.F. | 1.00 | CODE | K | DES | - | CL | F | | |
| NEMA-NOM-EFF | 82.5 | PF | 97 | | | | | | |
| RATING | 40C AMB-CONT | | | | | | | | |
| CC | USABLE AT 208V | | 20 | | | | | | |
| DE | 6206 | ODE | 6203 | | | | | | |
| ENCL | TEAO | SN | | | | | | | |

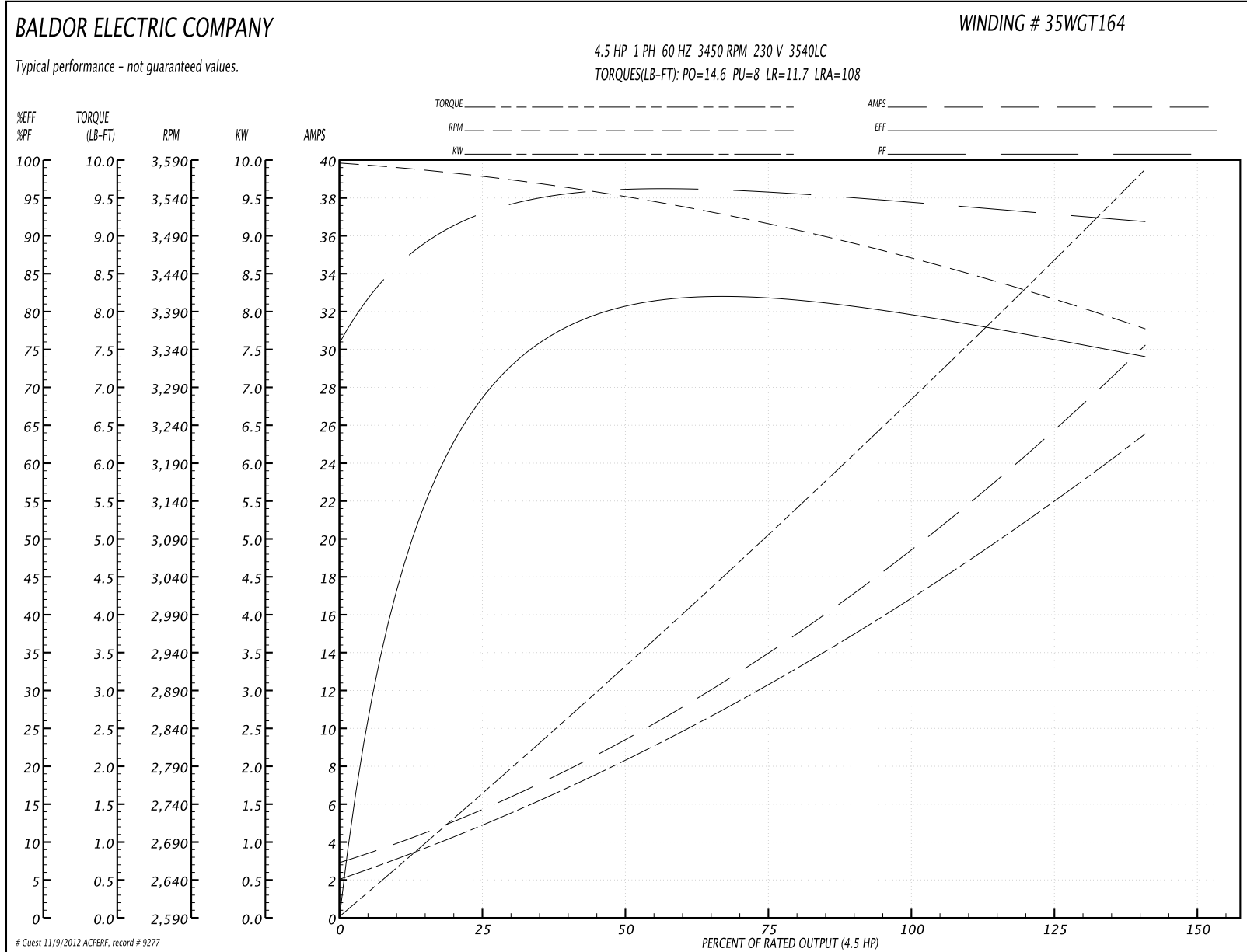
| Parts List | | |
|-------------|--|----------|
| Part Number | Description | Quantity |
| SA108777 | SA 35T928T164G1 | 1.000 EA |
| RA100299 | RA 35T928T164G1 | 1.000 EA |
| OC3040F09SP | CYL OIL CAP 40MFD/370V | 1.000 EA |
| EC1216C06SP | ELEC CAP, 216-259 MFD, 250V, 2.06D X 4. | 1.000 EA |
| WD3006A01 | RSS-2-103JT 2W 10K RES. METAL OXIDE 5% | 1.000 EA |
| HA6021A01SP | ADAPTOR, MACH | 1.000 EA |
| 36GS5000 | GASKET CONDUIT ADAPTOR | 1.000 EA |
| 51XB1016A07 | 10-16 X 7/16 HXWSSLD SERTYB | 2.000 EA |
| 11XW1032G06 | 10-32 X .38, TAPTITE II, HEX WSHR SLTD U | 1.000 EA |
| 35EP3100B54 | FR EP TENV 35L/M 203 BRG. W/(2)GREASERS | 1.000 EA |
| HW4500A19 | 1/4-28X1/4 SLOTTED PLUG F/S | 2.000 EA |
| 51XW0832A07 | 8-32 X .44, TAPTITE II, HEX WSHR SLTD SE | 2.000 EA |
| NS2501A01 | INSULATOR, CAPACITOR | 2.000 EA |
| 51XB1016A05 | 10-16X5/16HX WA SL SR TYB (F/S) | 4.000 EA |
| HW5100A03SP | WAVY WASHER (W1543-017) | 1.000 EA |
| 35EP3113A12 | PU EP ENCL 06 BRG W/PLUGS, LOCKED BRG, L | 1.000 EA |
| HW4500A19 | 1/4-28X1/4 SLOTTED PLUG F/S | 2.000 EA |
| 10XN2520A24 | 1/4-20X 1 1/2 HEX HD X | 2.000 EA |
| HW1001A25 | LOCKWASHER 1/4, ZINC PLT .493 OD, .255 I | 2.000 EA |
| XY1032A02 | 10-32 HEX NUT DIRECTIONAL SERRATION | 4.000 EA |
| HW2501D13SP | KEY, 3/16 SQ X 1.375 | 1.000 EA |
| HA7000A01 | KEY RETAINER 7/8" DIA SHAFT | 1.000 EA |
| 85XU0407S04 | 4X1/4 U DRIVE PIN STAINLESS | 2.000 EA |
| LB1001 | LABEL, GREASE-EXXON POLYREX EM | 1.000 EA |

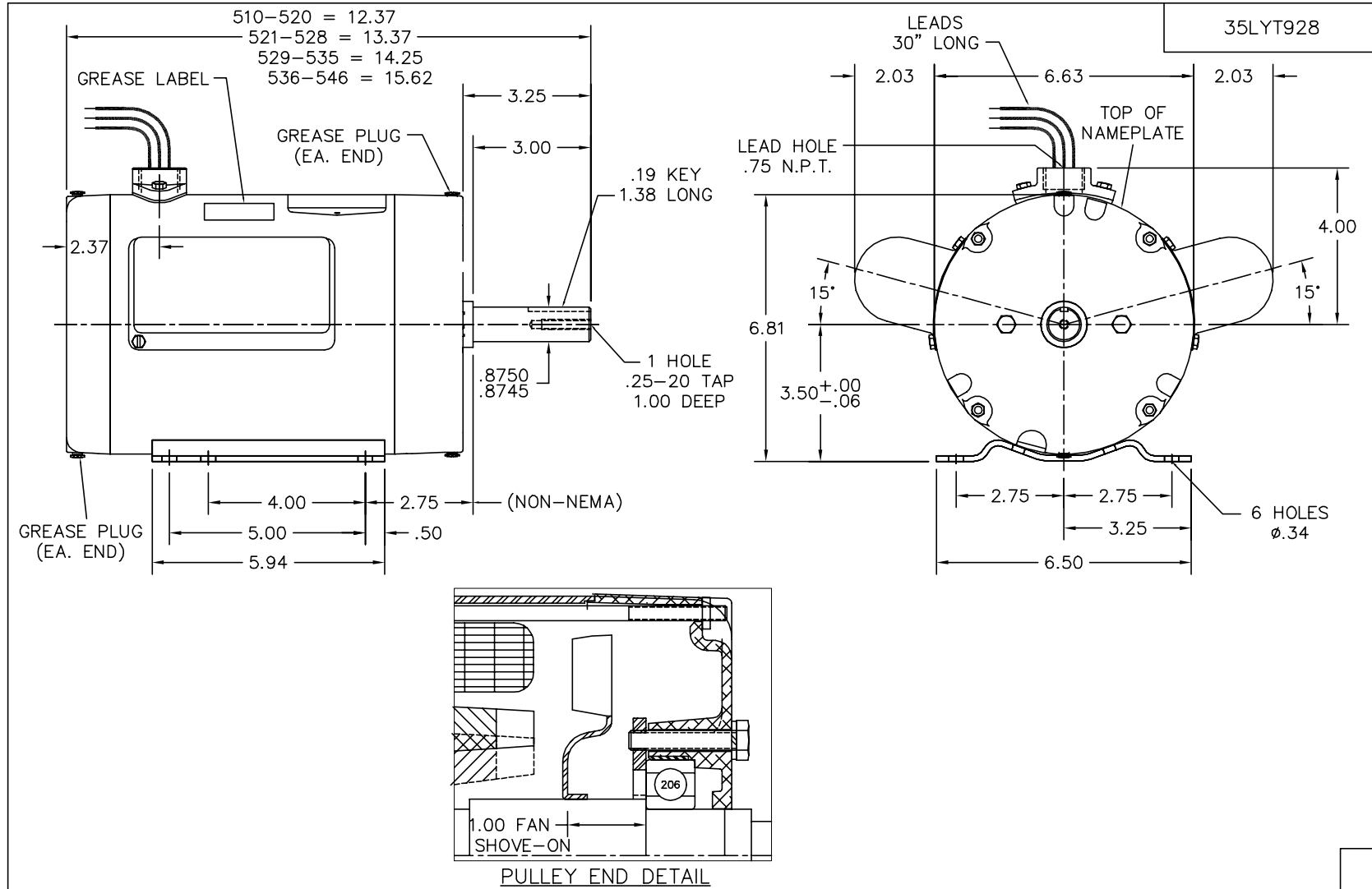
| Parts List (continued) | | |
|------------------------|--|-----------|
| Part Number | Description | Quantity |
| ML1400DF14 | 14 AWG,BLANK,GREEN w/YELLOW STRIPE | 35.000 IN |
| WD1000H04 | HOLL#R4161SFT,INSL.RING,16-14 GA,#10 STU | 1.000 EA |
| WD1000A15 | 3-520132-2 AMP FLAG (4M/RL NON-CANC/NON- | 2.000 EA |
| MJ1000A75 | GREASE, POLYREX EM EXXON | 0.050 LB |
| MG1025C02 | PAINT, 787.105 LITE TAN EPOXY (USE W/MG1 | 0.017 GA |
| SP5181A10 | MODEL 35 LC TORQ STAT SWITCH LEAD ASSY | 1.000 EA |
| 35CB4802A02SP | CAPACITOR COVER, STAMPED X W/AUTOPHORET | 2.000 EA |
| 35GS3001A02 | GASKET, CA.COVER, 5.38 LONG .06 CS301 | 2.000 EA |
| HA3100A42 | THRUBOLT 10-32 X 12.000 | 4.000 EA |
| LB1119 | WARNING LABEL | 1.000 EA |
| LB1125C01 | STD (STOCK) CARTON LABEL BALDOR WITH FLA | 1.000 EA |
| LB5040 | INSTRUCTION TAG, AC & DC | 1.000 EA |
| LC0017 | CONN LABEL-1 PHASE-SINGLE VOLT-REV ROTNO | 1.000 EA |
| NP1279L | ALUM FARM DUTY UL CSA CC | 1.000 EA |
| NP1263L | AUX, GP, ALUM, CC, LASER ETCHED | 1.000 EA |
| 36PA1000 | PACK GROUP W/LB5001 | 1.000 EA |

| Accessories | | |
|-------------|-------------|------------|
| Part Number | Description | Multiplier |
| 35-1325 | C FACE KIT | A8 |

| Performance Data at 230V, 60Hz, 4.5HP (Typical performance - Not guaranteed values) | | | | | | | |
|---|----------------------------------|--------|--------|----------------------|------------|--------|------|
| General Characteristics | | | | | | | |
| Full Load Torque: | 6.6 LB-FT | | | Start Configuration: | DOL | | |
| No-Load Current: | 2.7 Amps | | | Break-Down Torque: | 14.6 LB-FT | | |
| Line-line Res. @ 25°C.: | 0.519 Ohms A Ph / 1.58 Ohms B Ph | | | Pull-Up Torque: | 8.0 LB-FT | | |
| Temp. Rise @ Rated Load: | | | | Locked-Rotor Torque: | 11.7 LB-FT | | |
| Temp. Rise @ S.F. Load: | | | | Starting Current: | 108.0 Amps | | |
| Load Characteristics | | | | | | | |
| % of Rated Load | 25 | 50 | 75 | 100 | 125 | 150 | S.F. |
| Power Factor: | 95.0 | 97.0 | 98.0 | 97.0 | 97.0 | 96.0 | 0.0 |
| Efficiency: | 69.1 | 78.6 | 82.3 | 79.6 | 78.3 | 73.5 | 0.0 |
| Speed: | 3566.0 | 3539.0 | 3507.0 | 3473.0 | 3421.0 | 3364.0 | 0.0 |
| Line Amperes: | 5.9 | 9.5 | 13.9 | 18.2 | 24.1 | 30.5 | 0.0 |

Performance Graph at 230V, 60Hz, 4.5HP Typical performance - Not guaranteed values





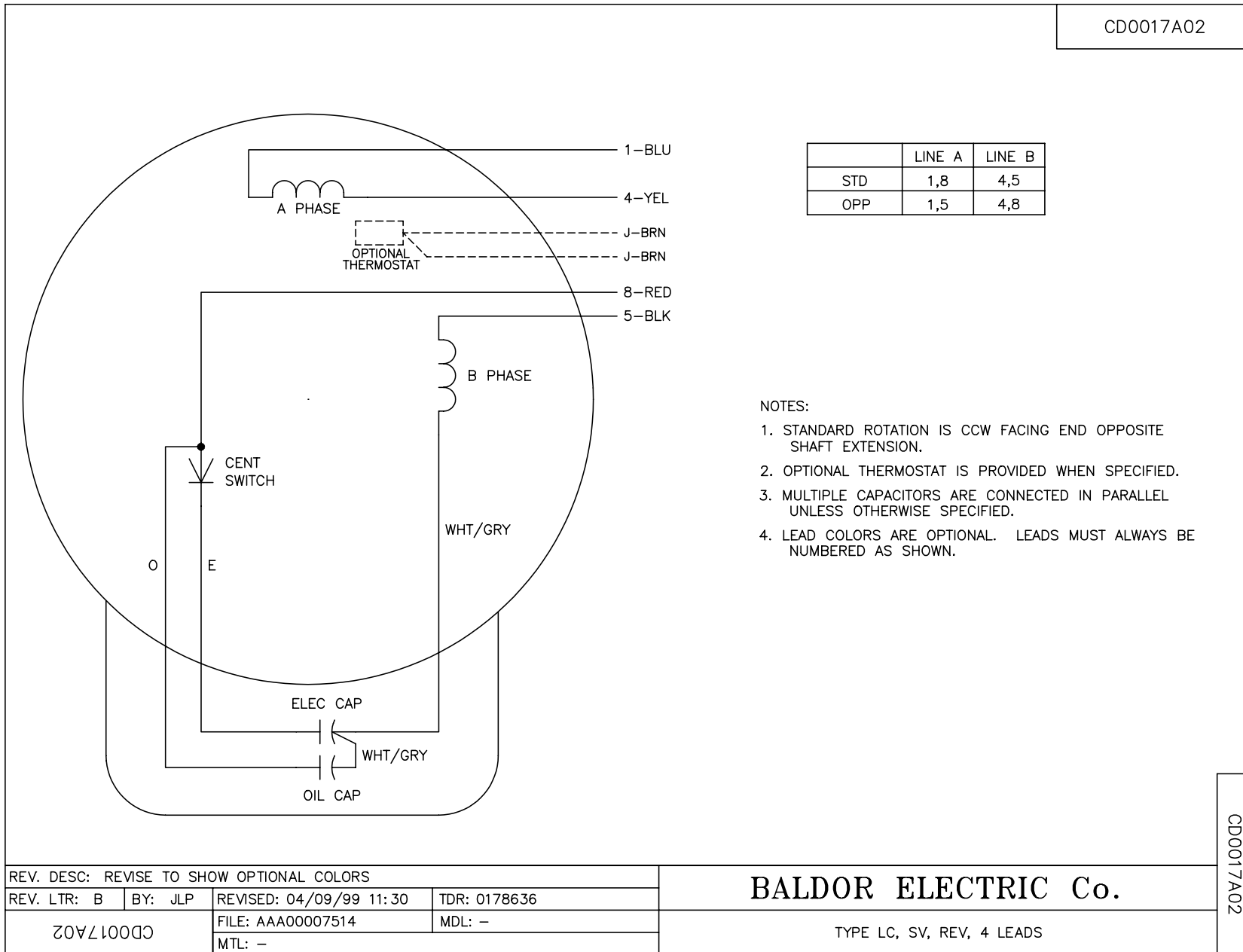
CUSTOMER IS RESPONSIBLE FOR DETERMINING THAT MOTOR PERFORMANCE IS SUITABLE IN THE APPLICATION.

| | | | |
|----------------|---------|------------------------------|---------------|
| REV. DESC: NEW | | | |
| REV. LTR: - | BY: KCT | REVISED: 15:34:35 11/06/2003 | TDR: 317133 |
| 8Z6LΛ7CZ | | FILE: AAA00111085 | REF: 35LYT928 |
| | | MTL: - | |

| |
|--|
| BALDOR ELECTRIC Co. |
| HOR 143-5TZ TENV W/(2)L BXS,T'STAT,2 POLE "W" BASE(35BA4009) |

35LYT928

CD0017A02



CD0017A02

| | | | |
|---|---------|-------------------------|--------------|
| REV. DESC: REVISE TO SHOW OPTIONAL COLORS | | | |
| REV. LTR: B | BY: JLP | REVISED: 04/09/99 11:30 | TDR: 0178636 |
| 20V71000 | | FILE: AAA00007514 | MDL: - |
| | | MTL: - | |

BALDOR ELECTRIC Co.

TYPE LC, SV, REV, 4 LEADS