

# **BALDOR® • RELIANCE**

## **Product Information Packet**

# **UCME153**

**1.5HP,3450RPM,3PH,60HZ,145TZ,3524M,TEAO**

Copyright © All product information within this document is subject to Baldor Electric Company copyright © protection, unless otherwise noted.

Part Detail							
Revision:	P	Status:	PRD/A	Change #:		Proprietary:	No
Type:	AC	Prod. Type:	3524M	Elec. Spec:	35WGS057	CD Diagram:	
Enclosure:	TEAO	Mfg Plant:		Mech. Spec:	35T931	Layout:	
Frame:	145TZ	Mounting:	F1	Poles:	02	Created Date:	06-22-2007
Base:	RG	Rotation:	R	Insulation:	F	Eff. Date:	09-20-2012
Leads:	9#18 30" LONG	Literature:	Y	Elec. Diagram:		Replaced By:	

**Nameplate NP1279L**

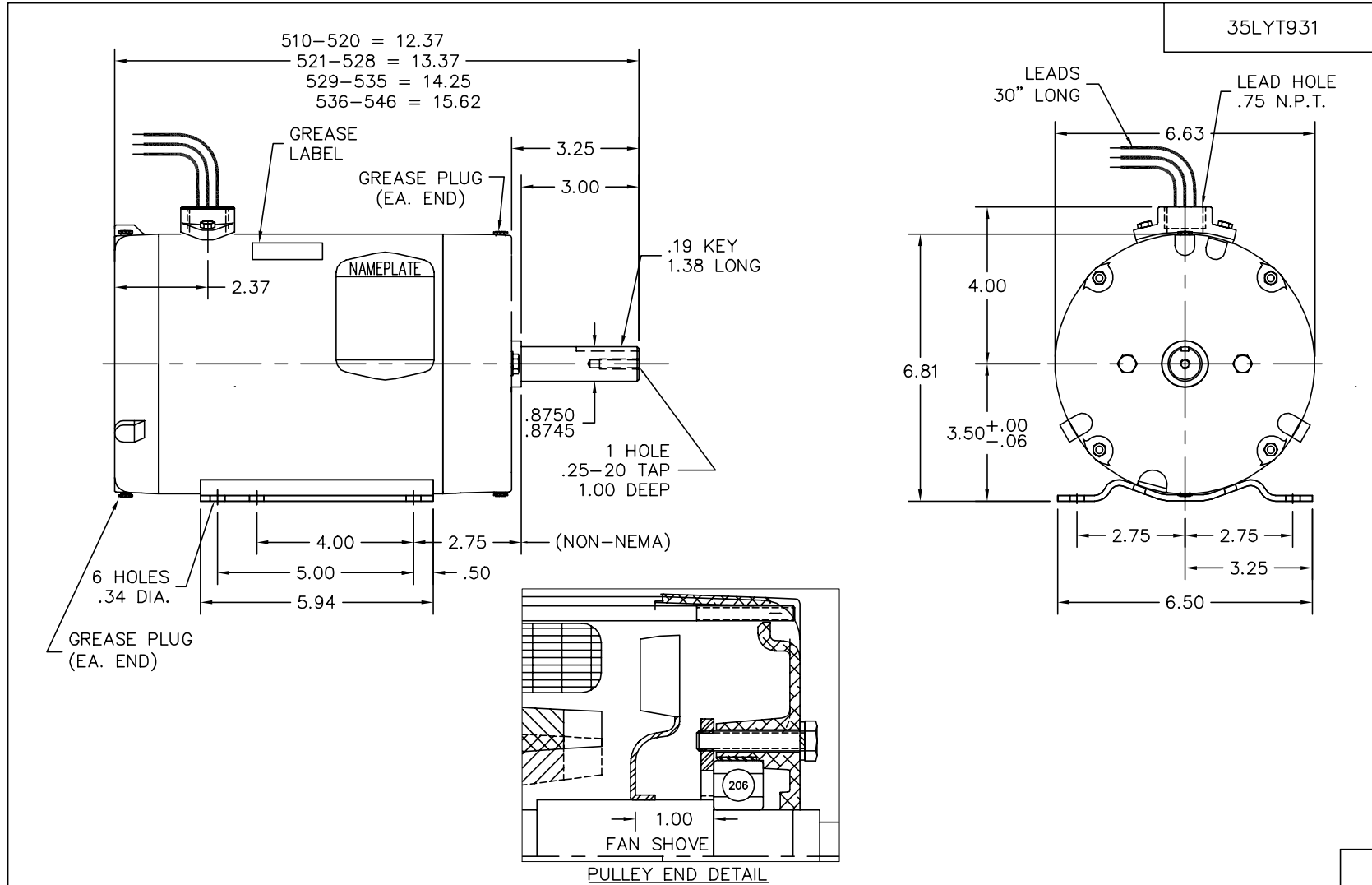
CAT.NO.	UCME153						
SPEC.	35T931S057G1						
HP	1.5-3						
VOLTS	208-230/460						
AMP	8.5-8.2/4.1						
RPM	3450						
FRAME	145TZ	HZ	60	PH	3		
SER.F.	1.00	CODE	L	DES	B	CL	F
NEMA-NOM-EFF	80	PF	83				
RATING	40C AMB-CONT						
CC		USABLE AT 208V	8.5				
DE	6206	ODE	6203				
ENCL	TEAO	SN					

Nameplate NP1263L									
CAT.NO.	UCME153								
SPEC.	35T931S057G1								
HP	1.5-3								
VOLTS	208-230/460								
AMP	8.5-8.2/4.1								
RPM	3450								
FRAME	145TZ	HZ	60	PH	3				
SER.F.	1.00	CODE	L	DES	B	CL	F		
NEMA-NOM-EFF	80	PF	83						
RATING	40C AMB-CONT								
CC	USABLE AT 208V		8.5						
DE	6206	ODE	6203						
ENCL	TEAO	SN							

Parts List		
Part Number	Description	Quantity
SA108779	SA 35T931S057G1	1.000 EA
RA100301	RA 35T931S057G1	1.000 EA
HA6021A01SP	ADAPTOR, MACH	1.000 EA
36GS5000	GASKET CONDUIT ADAPTOR	1.000 EA
51XB1016A07	10-16 X 7/16 HXWSSLD SERTYB	2.000 EA
11XW1032G06	10-32 X .38, TAPTITE II, HEX WSHR SLTD U	1.000 EA
HW3001B01	003SS CUP WASHER, FOR #8 SCREW	1.000 EA
35EP3100M73	FR EP TENV 35L/M 203 BRG. W/(2)GREASERS	1.000 EA
HW4500A19	1/4-28X1/4 SLOTTED PLUG F/S	2.000 EA
HW5100A03SP	WAVY WASHER (W1543-017)	1.000 EA
35EP3113A12	PU EP ENCL 06 BRG W/PLUGS, LOCKED BRG, L	1.000 EA
HW4500A19	1/4-28X1/4 SLOTTED PLUG F/S	2.000 EA
10XN2520A24	1/4-20X 1 1/2 HEX HD X	2.000 EA
HW1001A25	LOCKWASHER 1/4, ZINC PLT .493 OD, .255 I	2.000 EA
XY1032A02	10-32 HEX NUT DIRECTIONAL SERRATION	4.000 EA
HW2501D13SP	KEY, 3/16 SQ X 1.375	1.000 EA
HA7000A01	KEY RETAINER 7/8" DIA SHAFT	1.000 EA
85XU0407S04	4X1/4 U DRIVE PIN STAINLESS	2.000 EA
LB1001	LABEL, GREASE-EXXON POLYREX EM	1.000 EA
MJ1000A75	GREASE, POLYREX EM EXXON	0.050 LB
MG1025C02	PAINT, 787.105 LITE TAN EPOXY (USE W/MG1	0.017 GA
MG1025Z20	ACTIVATOR WILKOFAS 060.32	0.010 GA
LD5000A06	LEAD ASSY, ML1400DF16 W/#10 RING 36"	1.000 EA
HA3100A20	THRUBOLT 10-32 X 9.812	4.000 EA

Parts List (continued)		
Part Number	Description	Quantity
LB1119	WARNING LABEL	1.000 EA
LB1125C01	STD (STOCK) CARTON LABEL BALDOR WITH FLA	1.000 EA
LC0145B01	CONNECTION LABEL	1.000 EA
NP1279L	ALUM FARM DUTY UL CSA CC	1.000 EA
NP1263L	AUX, GP, ALUM, CC, LASER ETCHED	1.000 EA
35PA1066	PACKING GROUP COMBINED PRINT	1.000 EA

Accessories		
Part Number	Description	Multiplier
35-1325	C FACE KIT	A8



CUSTOMER IS RESPONSIBLE FOR DETERMINING THAT MOTOR PERFORMANCE IS SUITABLE IN THE APPLICATION.

REV. DESC: UPDATE LAYOUT PER BOM, FREP

REV. LTR: A

VERSION: 01

TDR: 000000460581

**BALDOR • DODGE • RELIANCE**

1561A7C3

FILE: \AAA\00111\109

REVISED: 13:26:53 03/27/2008

HOR 143-5TZ TENV W/PIPE ADPT, 30" LD, 2 POLE "W" BS(35BA4009)

MTL: -

BY: ENODIDO

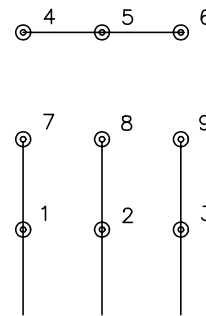
SH 1 of 1

35LYT931

CD0005

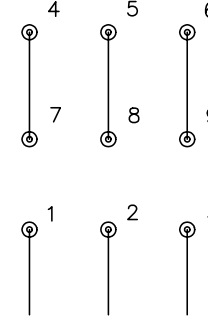


LOW VOLTAGE  
(2Y)



LINE

HIGH VOLTAGE  
(1Y)



LINE

NOTES:

1. INTERCHANGE ANY TWO LINE LEADS TO REVERSE ROTATION.
2. OPTIONAL THERMOSTATS ARE PROVIDED WHEN SPECIFIED.
3. ACTUAL NUMBER OF INTERNAL PARALLEL CIRCUITS MAY BE A MULTIPLE OF THOSE SHOWN ABOVE.
4. LEAD COLORS ARE OPTIONAL. LEADS MUST ALWAYS BE NUMBERED AS SHOWN.

REV. DESC: REVISE TO SHOW OPTIONAL COLORS			
REV. LTR: E	BY: JLP	REVISED: 01/19/99 10:15	TDR: 0171435
90000		FILE: AAA00005140	MDL: -
		MTL: -	

**BALDOR ELECTRIC Co.**

3PH, DV, 9 LEADS

CD0005