

BALDOR® • RELIANCE

Product Information Packet

VBL3507

.75HP, 1725RPM, 1PH, 60HZ, 56C, BRAKE, 3428LC

Copyright © All product information within this document is subject to Baldor Electric Company copyright © protection, unless otherwise noted.

Part Detail							
Revision:	S	Status:	PRD/A	Change #:		Proprietary:	No
Type:	AC	Prod. Type:	3428LC	Elec. Spec:	34WGY094	CD Diagram:	
Enclosure:	TEFC	Mfg Plant:		Mech. Spec:	34G457	Layout:	
Frame:	56C	Mounting:	F1	Poles:	04	Created Date:	
Base:	N	Rotation:	R	Insulation:	B	Eff. Date:	11-21-2011
Leads:	6#18	Literature:		Elec. Diagram:		Replaced By:	

Nameplate NP1256L									
CAT.NO.	VBL3507								
SPEC.	34G457Y094-C								
HP	.75								
VOLTS	115/230								
AMP	8.4/4.2								
RPM	1725								
FRAME	56C	HZ	60	PH	1				
SER.F.	1.25	CODE	J	DES	N	CLASS	B		
NEMA-NOM-EFF	72	PF	78						
RATING	40C AMB-CONT								
CC				USABLE AT 208V	5.4				
DE	6203	ODE	6203						
ENCL	TEFC	SN							
	SFA 10/5								

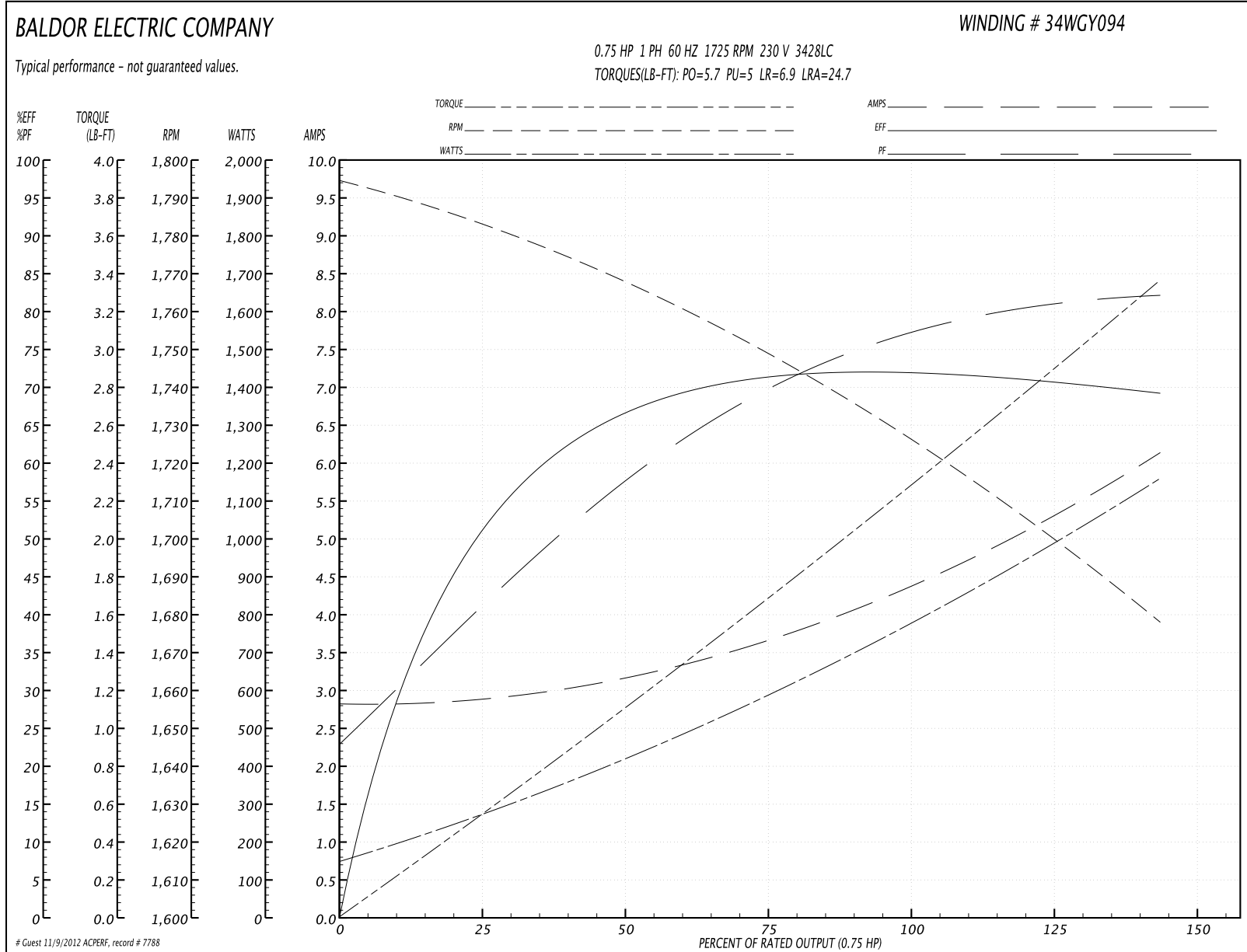
Parts List		
Part Number	Description	Quantity
SA079727	SA 34G457Y094-C	1.000 EA
RA073152	RA 34G457Y094-C	1.000 EA
OC3020F12SP	CYL OIL CAP 20MFD/370V	1.000 EA
EC1270A02SP	ELEC CAP, 270-324 MFD, 125V, 1.48D X 3.	1.000 EA
NS2512A01	INSULATOR, CONDUIT BOX X	1.000 EA
34CB3002A	CB CAST W/.88 DIA HOLE	1.000 EA
34GS1029A01	GASKET, CONDUIT BOX	1.000 EA
51XB1016A07	10-16 X 7/16 HXWSSLD SERTYB	2.000 EA
11XW1032G06	10-32 X .38, TAPTITE II, HEX WSHR SLTD U	1.000 EA
34EP3900T09	FR ENDPLATE, MACH	1.000 EA
HA2001A01	SPACER, .218 ID X .250 LG	2.000 EA
11XT0832A12	8-32 X 3/4 HX WSHD SLTD, TY23	2.000 EA
34CB3801	CAPACITOR BOX, DIE CAST	1.000 EA
34GS3002	GASKET, CAPACITOR BOX	1.000 EA
51XB1214A08	12-14 X 1/2HX WS SL SR TYBX	2.000 EA
WD1000A03	41531 AMP FLG.TERM,4M/REEL(2.5MIL)	3.000 EA
HW5100A03SP	WAVY WASHER (W1543-017)	1.000 EA
34EP3300A24SP	PU ENDPLATE, MACH	1.000 EA
51XN1032A20	10-32 X 1 1/4 HX WS SL SR	2.000 EA
34FN3002A03	EXTERNAL FAN, PLASTIC, .500 HUB I.D. W/5	1.000 EA
HW2500A13	KEY, USA #605, WOODRUFF	1.000 EA
34FH4002A05	IEC FH W/DEEPER DIMPLES FOR BRAKE COVER	1.000 EA
51XW1032A06	10-32 X .38, TAPTITE II, HEX WSHR SLTD S	3.000 EA
34CB4517	CB LID 4 MTG HOLES .22 DIA STAMPED, FOR	1.000 EA

Parts List (continued)		
Part Number	Description	Quantity
34GS1031A01	GASKET, FLAT CONDUIT BOX LID (LEXIDE)	1.000 EA
51XW0832A07	8-32 X .44, TAPTITE II, HEX WSHR SLTD SE	4.000 EA
HW2501D13SP	KEY, 3/16 SQ X 1.375	1.000 EA
HA7000A04	KEY RETAINER 0.625 DIA SHAFTS	1.000 EA
MG1000G27	PAINT- S9282E CHARCOAL GREY	0.014 GA
10XF0440S02	04-40 X 1/8 TYPE F HEX HD STAINLESS STIC	2.000 EA
LB1185	LABEL,BRAKE CONNECTION (ON ROLLS)	1.000 EA
SP5056A18	MODEL 34 TYPE LC STATIONARY SWITCH WITH	1.000 EA
HA3100A45	THRUBOLT 10-32 X 8.875	4.000 EA
48BK7101BP-D	DRILL BRAKE COVER	1.000 EA
WD4006C05	WIRENUT, G-B #13-003 ORGSIZE 73B,105C B	2.000 EA
LB1125C01	STD (STOCK) CARTON LABEL BALDOR WITH FLA	1.000 EA
LC0001A01	CONN LABEL / WARNING LABEL (LC0001 / LB1	1.000 EA
NP1256L	ALUM UL CSA CC	1.000 EA
35PA1007	PACKAGING GROUP	1.000 EA
LB5040	INSTRUCTION TAG, AC & DC	1.000 EA
PK3083T	STYROFOAM PACKING CRADLE W/TAPE	1.000 EA

Performance Data at 230V, 60Hz, 0.75HP (Typical performance - Not guaranteed values)

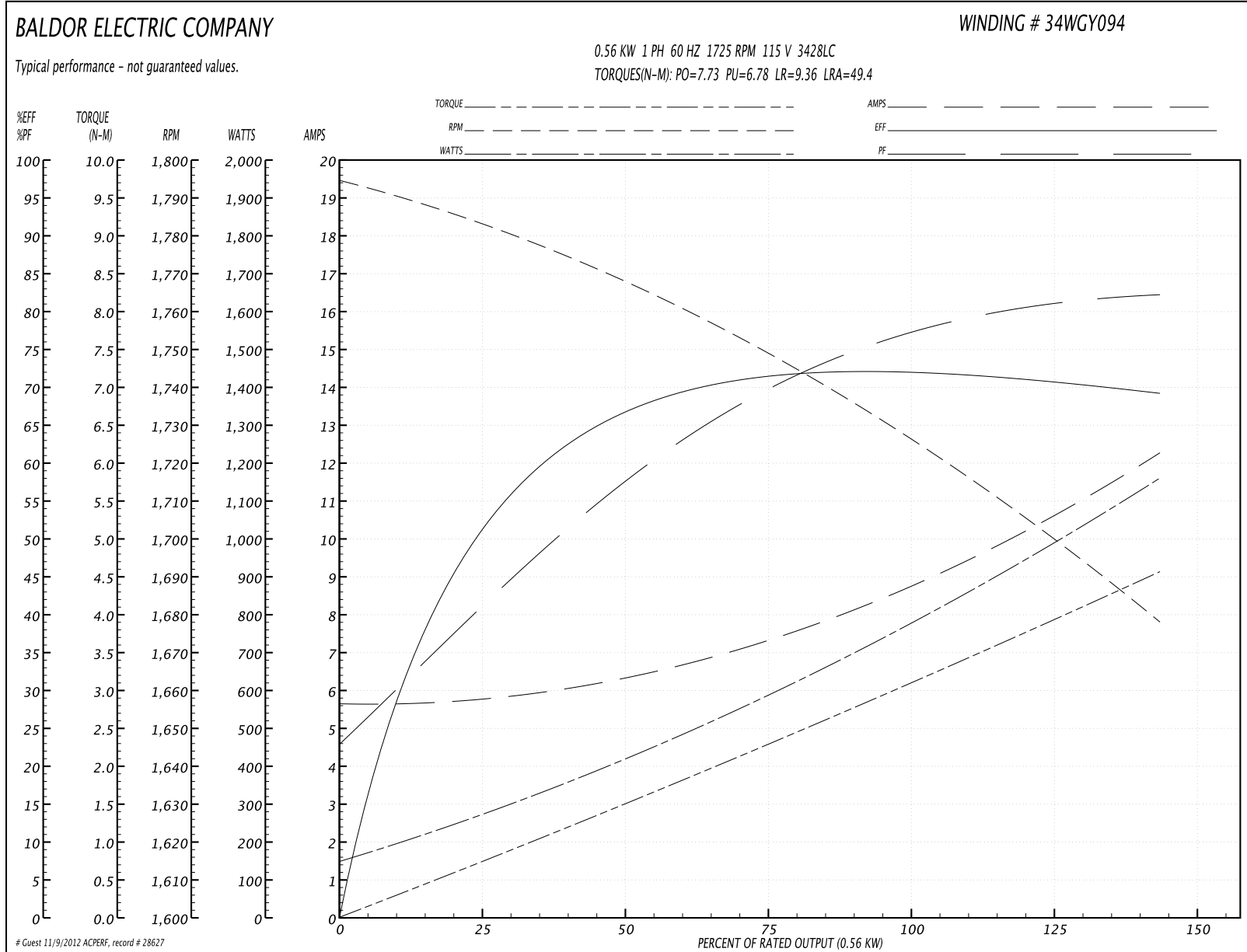
General Characteristics							
Full Load Torque:	2.25 LB-FT			Start Configuration:	DOL		
No-Load Current:	2.8 Amps			Break-Down Torque:	5.7 LB-FT		
Line-line Res. @ 25°C.:	3.22 Ohms A Ph / 1.76 Ohms B Ph			Pull-Up Torque:	5.0 LB-FT		
Temp. Rise @ Rated Load:	71 C			Locked-Rotor Torque:	6.9 LB-FT		
Temp. Rise @ S.F. Load:	89 C			Starting Current:	24.7 Amps		
Load Characteristics							
% of Rated Load	25	50	75	100	125	150	S.F.
Power Factor:	43.0	57.0	70.0	78.0	82.0	86.0	82.0
Efficiency:	50.2	66.1	71.1	72.3	72.0	68.6	72.0
Speed:	1780.0	1766.0	1749.0	1729.0	1707.0	1675.0	1707.0
Line Amperes:	2.9	3.2	3.7	4.3	5.1	6.2	5.1

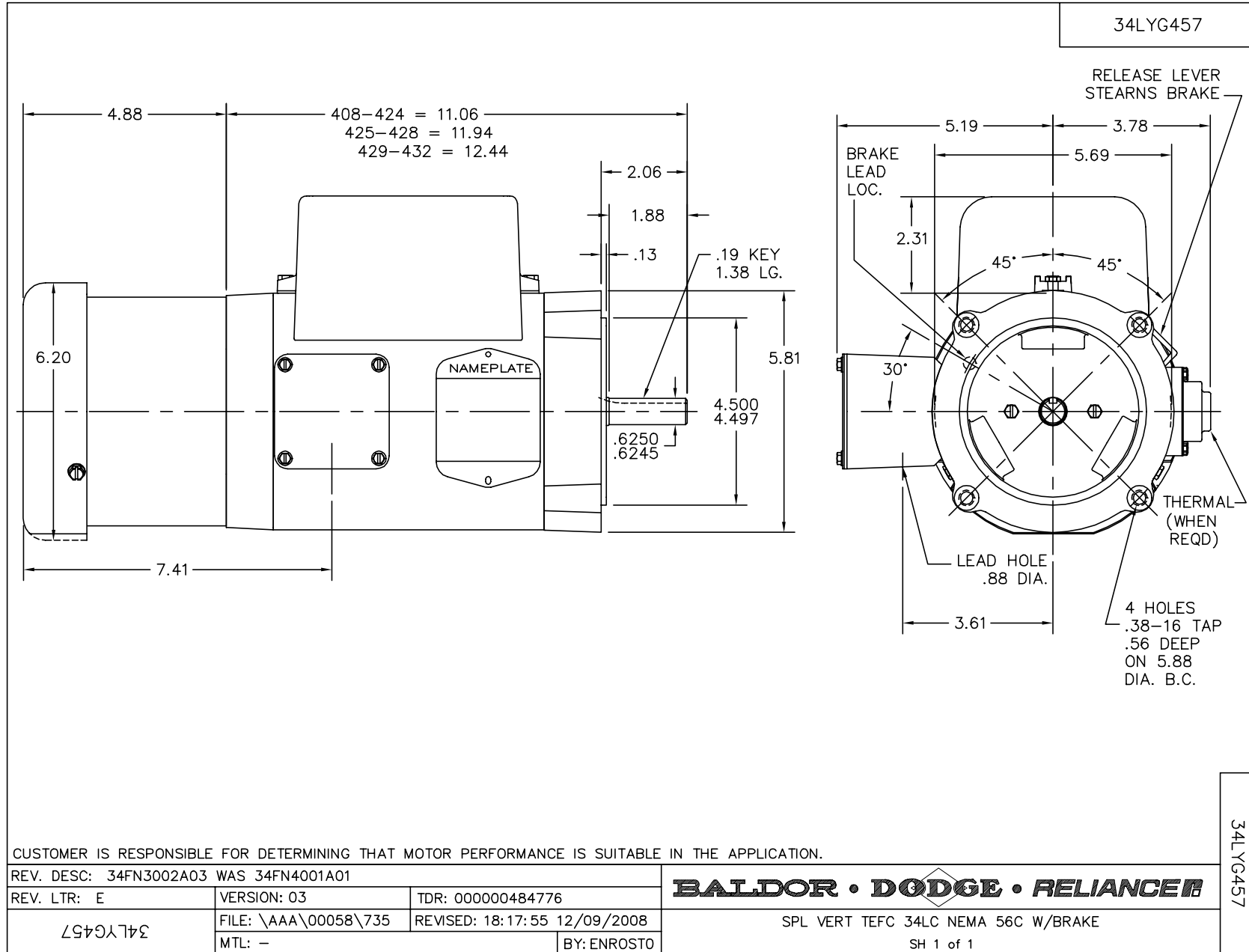
Performance Graph at 230V, 60Hz, 0.75HP Typical performance - Not guaranteed values



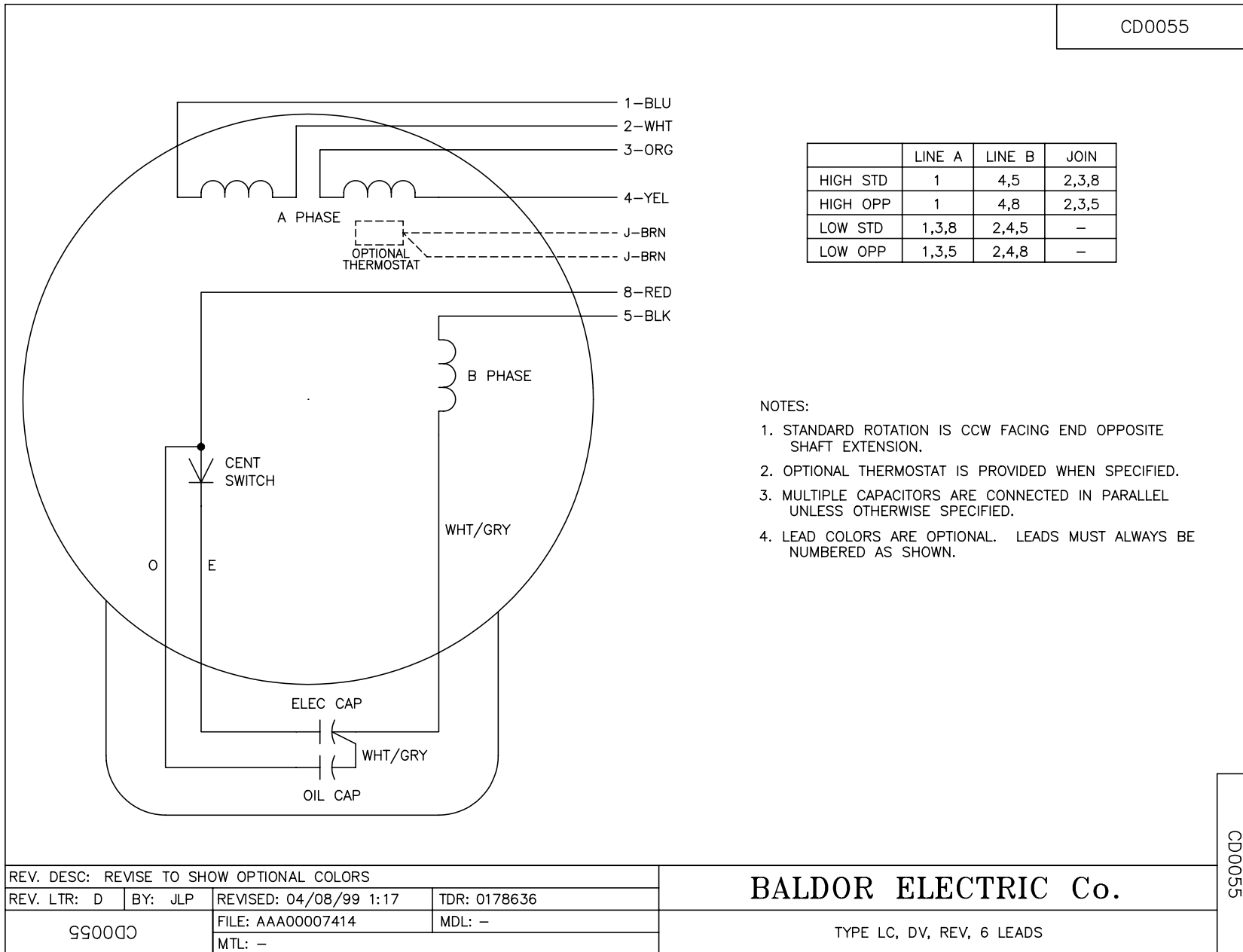
Performance Data at 115V, 60Hz, 0.56KW (Typical performance - Not guaranteed values)							
General Characteristics							
Full Load Torque:	3.06 N-M			Start Configuration:	DOL		
No-Load Current:	5.6 Amps			Break-Down Torque:	7.73 N-M		
Line-line Res. @ 25°C.:	0.79 Ohms A Ph / 1.73 Ohms B Ph			Pull-Up Torque:	6.78 N-M		
Temp. Rise @ Rated Load:	71 C			Locked-Rotor Torque:	9.36 N-M		
Temp. Rise @ S.F. Load:	87 C			Starting Current:	49.4 Amps		
Load Characteristics							
% of Rated Load	25	50	75	100	125	150	S.F.
Power Factor:	43.0	58.0	69.0	77.0	81.0	82.0	81.0
Efficiency:	50.5	66.3	71.1	72.4	72.0	68.5	72.0
Speed:	1780.0	1766.0	1749.0	1729.0	1707.0	1675.0	1707.0
Line Amperes:	5.81	6.4	7.4	8.61	10.2	12.4	10.2

Performance Graph at 115V, 60Hz, 0.56KW Typical performance - Not guaranteed values





CD0055



REV. DESC: REVISE TO SHOW OPTIONAL COLORS			
REV. LTR: D	BY: JLP	REVISED: 04/08/99 1:17	TDR: 0178636
990055		FILE: AAA00007414	MDL: -
		MTL: -	

BALDOR ELECTRIC Co.

TYPE LC, DV, REV, 6 LEADS

CD0055