

BALDOR® • *RELIANCE*

Product Information Packet

VBL3510T

1HP,1725RPM,1PH,60HZ,143TC,3524L,TEFC,F1

Copyright © All product information within this document is subject to Baldor Electric Company copyright © protection, unless otherwise noted.

| Part Detail | | | | | | | |
|-------------|-------|-------------|-------|----------------|----------|---------------|------------|
| Revision: | D | Status: | PRD/A | Change #: | | Proprietary: | No |
| Type: | AC | Prod. Type: | 3524L | Elec. Spec: | 35WGX945 | CD Diagram: | |
| Enclosure: | TEFC | Mfg Plant: | | Mech. Spec: | 35EE059 | Layout: | |
| Frame: | 143TC | Mounting: | F1 | Poles: | 04 | Created Date: | 12-22-2009 |
| Base: | N | Rotation: | R | Insulation: | F | Eff. Date: | 10-27-2011 |
| Leads: | 6#18 | Literature: | | Elec. Diagram: | | Replaced By: | |

| Nameplate NP1256L | | | | | | | | | |
|-------------------|----------------|------|------|-----|---|-------|---|--|--|
| CAT.NO. | VBL3510T | | | | | | | | |
| SPEC. | 35EE059X945G1 | | | | | | | | |
| HP | 1 | | | | | | | | |
| VOLTS | 115/230 | | | | | | | | |
| AMP | 12.8/6.4 | | | | | | | | |
| RPM | 1725 | | | | | | | | |
| FRAME | 143TC | HZ | 60 | PH | 1 | | | | |
| SER.F. | 1.15 | CODE | K | DES | L | CLASS | F | | |
| NEMA-NOM-EFF | 68 | PF | 74 | | | | | | |
| RATING | 40C AMB-CONT | | | | | | | | |
| CC | USABLE AT 208V | | | 7 | | | | | |
| DE | 6205 | ODE | 6203 | | | | | | |
| ENCL | TEFC | SN | | | | | | | |
| | | | | | | | | | |

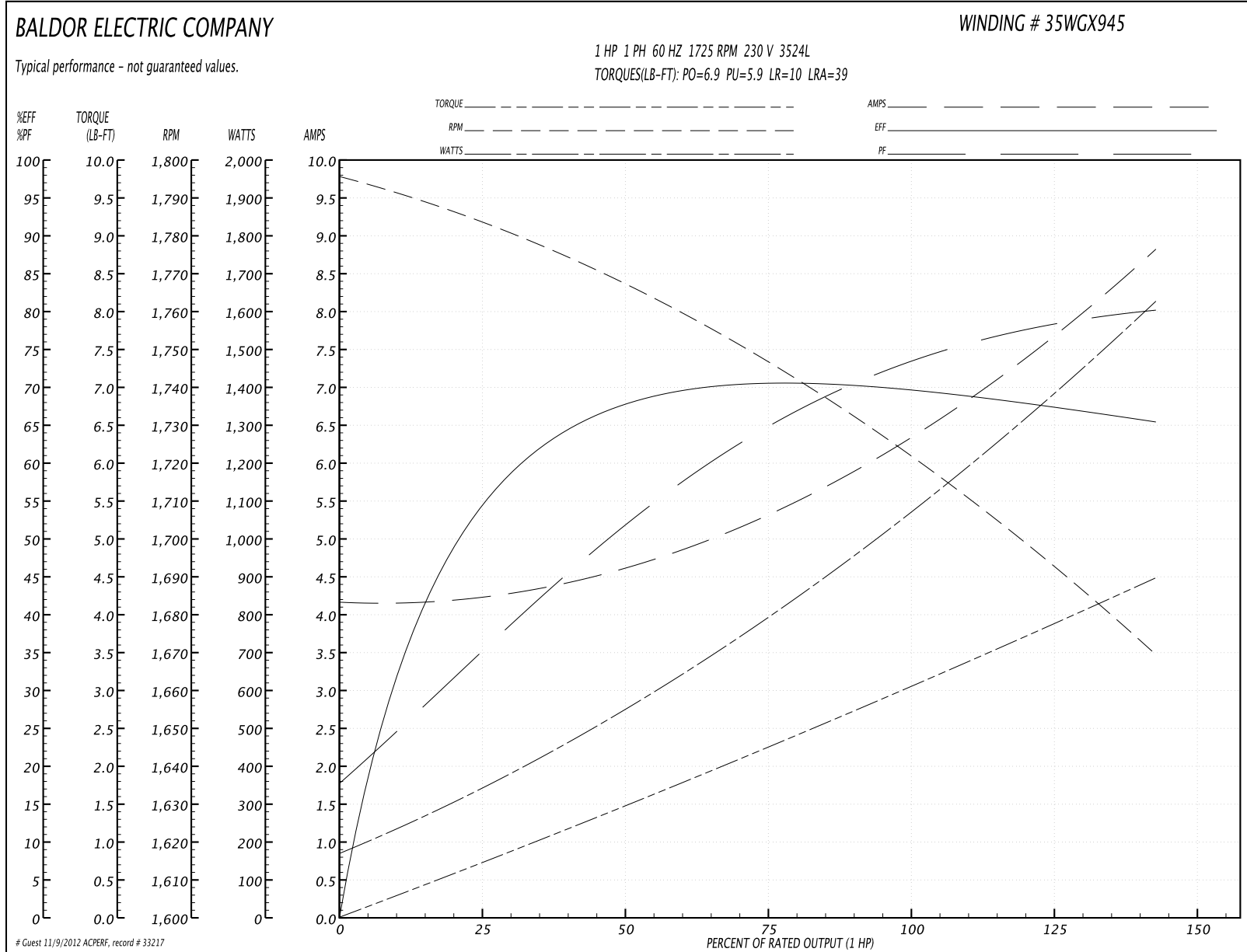
| Parts List | | |
|---------------|--|----------|
| Part Number | Description | Quantity |
| SA189057 | SA 35EE059X945G1 | 1.000 EA |
| RA176776 | RA 35EE059X945G1 | 1.000 EA |
| EC1645A06SP | ELEC CAP, 645-774 MFD, 125V, 2.06D X 4. | 1.000 EA |
| NS2512A01 | INSULATOR, CONDUIT BOX X | 1.000 EA |
| 35CB3009 | 35 CB CASTING W/1.09 DIA. LEAD HOLE @ 6: | 1.000 EA |
| 36GS1000SP | GASKET-CONDUIT BOX, .06 THICK #SV-330 LE | 1.000 EA |
| 51XB1016A07 | 10-16 X 7/16 HXWSSLD SERTYB | 2.000 EA |
| 11XW1032G06 | 10-32 X .38, TAPTITE II, HEX WSHR SLTD U | 1.000 EA |
| 35EP3900T02 | SPL FACE MTD FR EP-ENCL-W/STEARNS BRAKE | 1.000 EA |
| HW4500A01 | 1641B(ALEMITE)400 UNIV, GREASE FITT | 1.000 EA |
| 51XW0832A07 | 8-32 X .44, TAPTITE II, HEX WSHR SLTD SE | 2.000 EA |
| NS2501A01 | INSULATOR, CAPACITOR | 1.000 EA |
| 35CB4802A02SP | CAPACITOR COVER, STAMPED X W/AUTOPHORET | 1.000 EA |
| 35GS3001A02 | GASKET, CA.COVER, 5.38 LONG .06 CS301 | 1.000 EA |
| 51XB1016A05 | 10-16X5/16HX WA SL SR TYB (F/S) | 2.000 EA |
| HW5100A03SP | WAVY WASHER (W1543-017) | 1.000 EA |
| 35EP3300A46 | SPL FACE MTD EP-ENCL-145TC-205 BRG | 1.000 EA |
| HW4500A01 | 1641B(ALEMITE)400 UNIV, GREASE FITT | 1.000 EA |
| 51XN1032A20 | 10-32 X 1 1/4 HX WS SL SR | 2.000 EA |
| HA1014A02SP | SPL SPACER FOR FAN COVER MTD ON BRAKE | 3.000 EA |
| 51XB1016A07 | 10-16 X 7/16 HXWSSLD SERTYB | 3.000 EA |
| BR1003A01 | BRAKE RELEASE LEVER | 1.000 EA |
| HW2501D08 | KEY, 3/16 SQ X .875 AUTO | 1.000 EA |
| 35FN3002A01SP | EXFN, PLASTIC, 6.376 OD, .625 ID W/FLAT | 1.000 EA |

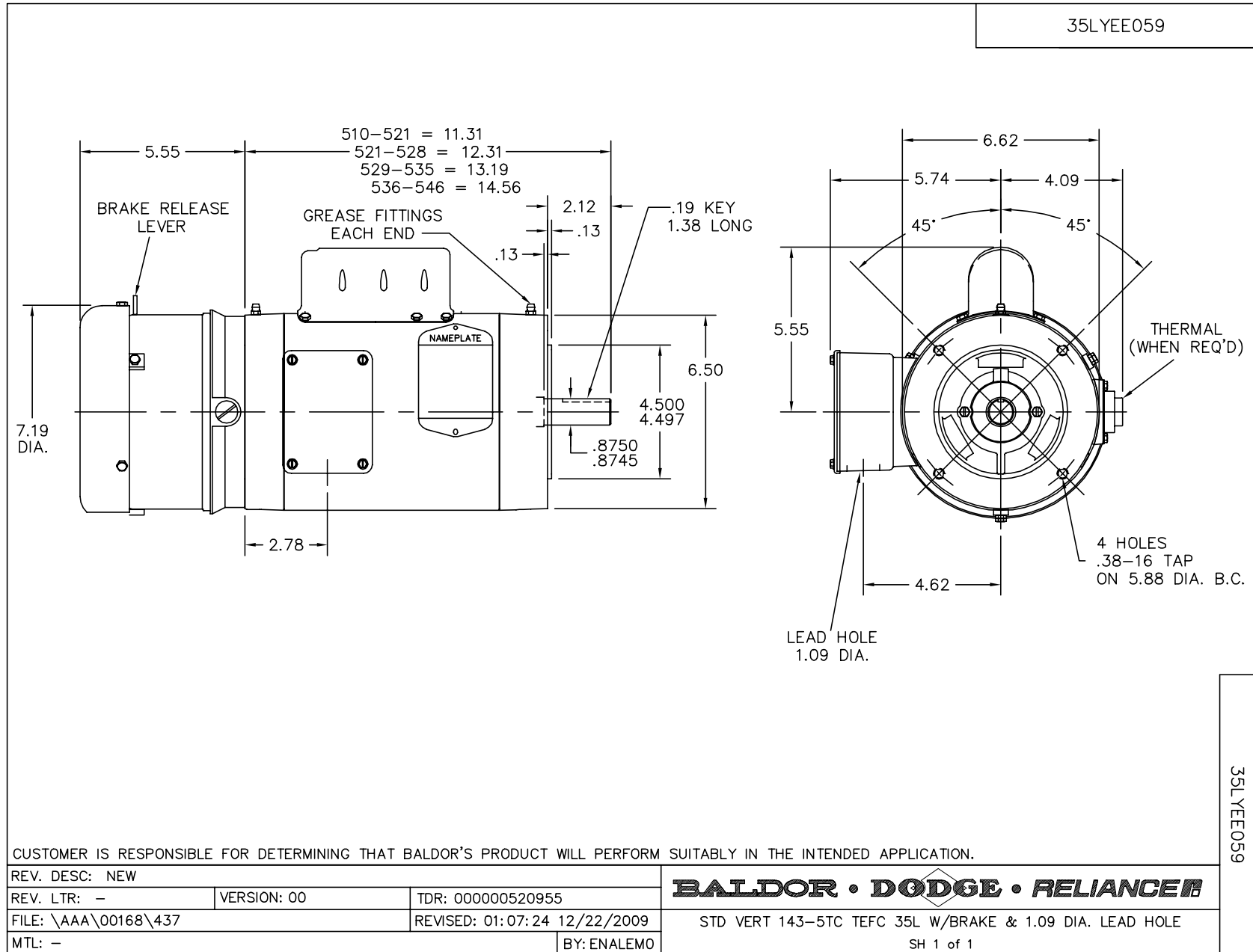
| Parts List (continued) | | |
|------------------------|--|----------|
| Part Number | Description | Quantity |
| 51XB1214A16 | 12-14X1.00 HXWSSLD SERTYB | 1.000 EA |
| 35FH5000A08SP | FAN COVER ASSY FOR BRAKE MTRS,W/ AUTOPHE | 1.000 EA |
| 51XW1032A06 | 10-32 X .38, TAPTITE II, HEX WSHR SLTD S | 3.000 EA |
| 35CB4521GX | CONDUIT BOX LID KIT | 1.000 EA |
| 51XW0832A07 | 8-32 X .44, TAPTITE II, HEX WSHR SLTD SE | 4.000 EA |
| HW2501D13SP | KEY, 3/16 SQ X 1.375 | 1.000 EA |
| HA7000A01 | KEY RETAINER 7/8" DIA SHAFT | 1.000 EA |
| 85XU0407S04 | 4X1/4 U DRIVE PIN STAINLESS | 2.000 EA |
| MJ1000A75 | GREASE, POLYREX EM EXXON | 0.050 LB |
| 84XN3816J28 | HEX SOC HD, 3/8-16 X 1.75 LONG | 2.000 EA |
| MG1000G27 | PAINT- S9282E CHARCOAL GREY | 0.017 GA |
| HA3100A15 | THRUBOLT 10-32 X 8.375 | 4.000 EA |
| WD1000A15 | 3-520132-2 AMP FLAG (4M/RL NON-CANC/NON- | 2.000 EA |
| SP5055A67 | MODEL 35 TYPE L STATIONARY SWITCH | 1.000 EA |
| 76BK2100BPF | 1-056-021-00-BPF BRAKE TDR# 79345 | 1.000 EA |
| LB1125C01 | STD (STOCK) CARTON LABEL BALDOR WITH FLA | 1.000 EA |
| LB1185 | LABEL,BRAKE CONNECTION (ON ROLLS) | 1.000 EA |
| LC0001A01 | CONN LABEL / WARNING LABEL (LC0001 / LB1 | 1.000 EA |
| NP1256L | ALUM UL CSA CC | 1.000 EA |
| G7PA1000 | PACKAGING GROUP / BALDOR | 1.000 EA |
| PK3082 | STYROFOAM CRADLE | 1.000 EA |

Performance Data at 230V, 60Hz, 1.0HP (Typical performance - Not guaranteed values)

| General Characteristics | | | | | | | |
|--------------------------|-------------------------------|--------|--------|----------------------|------------|--------|--------|
| Full Load Torque: | 3.0 LB-FT | | | Start Configuration: | DOL | | |
| No-Load Current: | 4.1 Amps | | | Break-Down Torque: | 6.9 LB-FT | | |
| Line-line Res. @ 25°C.: | 2.6 Ohms A Ph / 1.8 Ohms B Ph | | | Pull-Up Torque: | 5.9 LB-FT | | |
| Temp. Rise @ Rated Load: | 79 C | | | Locked-Rotor Torque: | 10.0 LB-FT | | |
| Temp. Rise @ S.F. Load: | 96 C | | | Starting Current: | 39.0 Amps | | |
| Load Characteristics | | | | | | | |
| % of Rated Load | 25 | 50 | 75 | 100 | 125 | 150 | S.F. |
| Power Factor: | 39.0 | 53.0 | 67.0 | 75.0 | 81.0 | 84.0 | 79.0 |
| Efficiency: | 52.9 | 67.6 | 70.0 | 70.3 | 68.6 | 64.9 | 69.3 |
| Speed: | 1781.0 | 1765.0 | 1746.0 | 1726.0 | 1701.0 | 1666.0 | 1711.0 |
| Line Amperes: | 4.3 | 4.7 | 5.3 | 6.2 | 7.4 | 8.9 | 6.9 |

Performance Graph at 230V, 60Hz, 1.0HP Typical performance - Not guaranteed values





CD0001



CD0001

| | | | |
|---|---------|------------------------|--------------|
| REV. DESC: REVISE TO SHOW OPTIONAL COLORS | | | |
| REV. LTR: D | BY: JLP | REVISED: 04/08/99 1:16 | TDR: 0178636 |
| 100000 | | FILE: AAA00007405 | MDL: - |
| | | MTL: - | |

BALDOR ELECTRIC Co.

TYPE L, DV, REV, 6 LEADS