

BALDOR® • *RELIANCE*

Product Information Packet

VBM3154

1.5HP,1735RPM,3PH,60HZ,56C,3519M,OPEN,F1

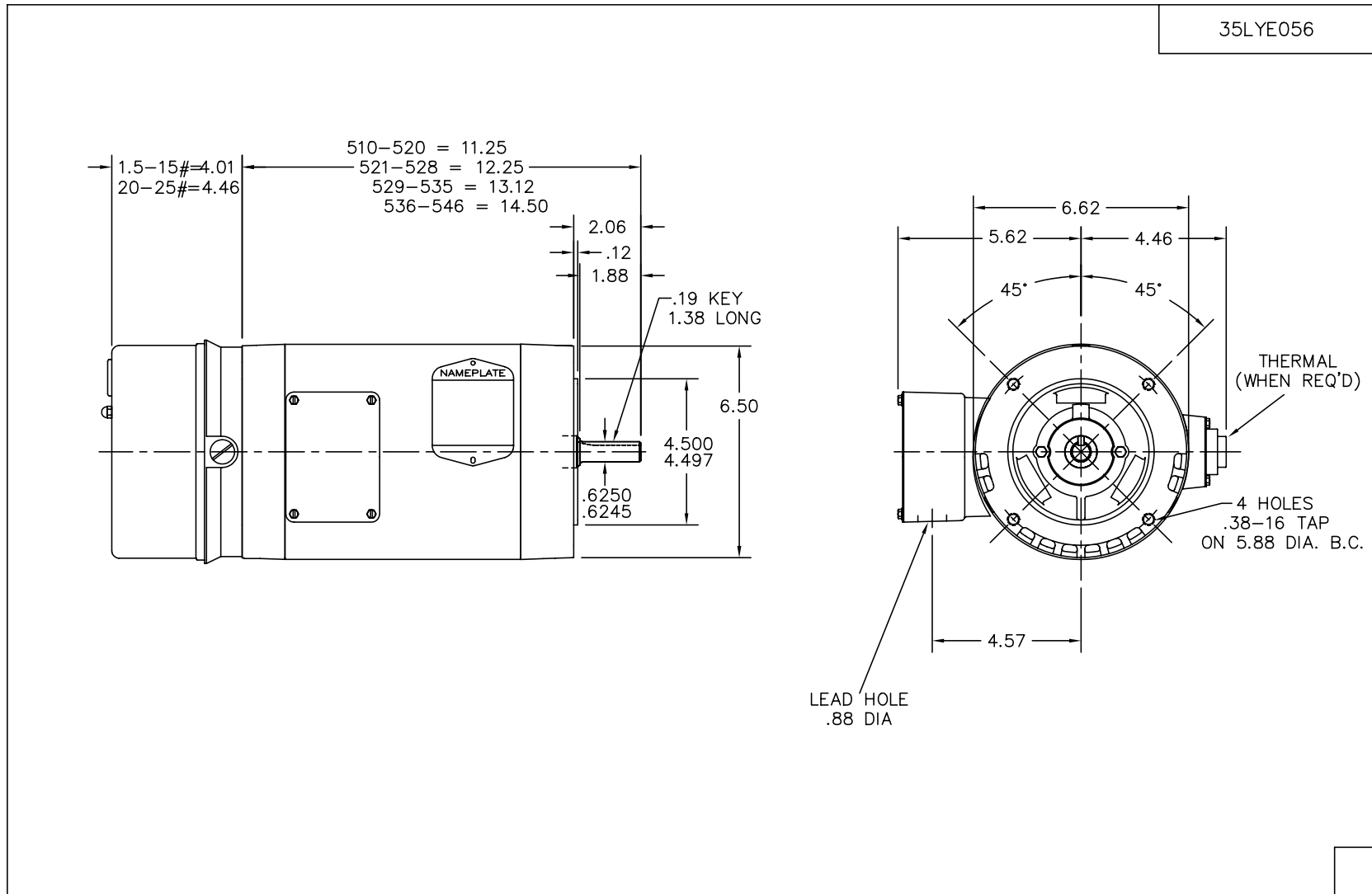
Copyright © All product information within this document is subject to Baldor Electric Company copyright © protection, unless otherwise noted.

Part Detail							
Revision:	B	Status:	PRD/A	Change #:		Proprietary:	No
Type:	AC	Prod. Type:	3519M	Elec. Spec:	35WGP925	CD Diagram:	
Enclosure:	OPEN	Mfg Plant:		Mech. Spec:	35E056	Layout:	
Frame:	56C	Mounting:	F1	Poles:	04	Created Date:	07-14-2010
Base:	N	Rotation:	R	Insulation:	B	Eff. Date:	02-29-2012
Leads:	9#18	Literature:		Elec. Diagram:		Replaced By:	

Nameplate NP1256L									
CAT.NO.	VBM3154								
SPEC.	35E056P925G1								
HP	1.5								
VOLTS	208-230/460								
AMP	5.4-5/2.5								
RPM	1735								
FRAME	56C	HZ	60	PH	3				
SER.F.	1.15	CODE	L	DES	B	CLASS	B		
NEMA-NOM-EFF	80	PF	71						
RATING	40C AMB-CONT								
CC	USABLE AT 208V								
DE	6205	ODE	6203						
ENCL	OPEN	SN							

Parts List		
Part Number	Description	Quantity
SA200154	SA 35E056P925G1	1.000 EA
RA187473	RA 35E056P925G1	1.000 EA
NS2512A01	INSULATOR, CONDUIT BOX X	1.000 EA
35CB3007	35 CB CASTING W/.88 DIA. LEAD HOLE	1.000 EA
51XB1016A07	10-16 X 7/16 HXWSSLD SERTYB	2.000 EA
11XW1032G06	10-32 X .38, TAPTITE II, HEX WSHR SLTD U	1.000 EA
35EP3900A01	FR ENDPLATE, MACH X	1.000 EA
HW5100A03SP	WAVY WASHER (W1543-017)	1.000 EA
35EP3400A13	STD FACE MTD END PLATE OPEN NEMA 56C 05	1.000 EA
35AD2000	AIR BAFFLE	1.000 EA
60XW0632A06	6-32 X 3/8 TORX HEAD SCREW TAPTITE II	4.000 EA
51XN1032A20	10-32 X 1 1/4 HX WS SL SR	2.000 EA
HW2501D10	KEY, 3/16 SQ X 1.000	1.000 EA
84XN3816J28	HEX SOC HD, 3/8-16 X 1.75 LONG	2.000 EA
35CB4521	35 LIPPED CB LID (GALV & PHOSPH)	1.000 EA
51XW0832A07	8-32 X .44, TAPTITE II, HEX WSHR SLTD SE	4.000 EA
HW2501D13SP	KEY, 3/16 SQ X 1.375	1.000 EA
HA7000A04	KEY RETAINER 0.625 DIA SHAFTS	1.000 EA
85XU0407S04	4X1/4 U DRIVE PIN STAINLESS	2.000 EA
MJ1000A75	GREASE, POLYREX EM EXXON	0.050 LB
MG1000G27	PAINT- S9282E CHARCOAL GREY	0.017 GA
HA3100A12	THRUBOLT 10-32 X 7.375	4.000 EA
76BK3100BPF	1-056-031-00-BPF BRAKE TDR# 79345	1.000 EA
LB1125C01	STD (STOCK) CARTON LABEL BALDOR WITH FLA	1.000 EA

Parts List (continued)		
Part Number	Description	Quantity
LB1185	LABEL,BRAKE CONNECTION (ON ROLLS)	1.000 EA
LC0005E01	CONN.DIA./WARNING LABEL (LC0005/LB1119)	1.000 EA
NP1256L	ALUM UL CSA CC	1.000 EA
36PA1000	PACK GROUP W/LB5001	1.000 EA
PK3082	STYROFOAM CRADLE	1.000 EA



35LYE056

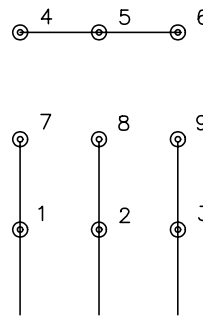
CUST. NAME		CUST. P.O.		CERTIFIED BY		MODEL		INSUL		AMB							
H.P.		MTG		TYPE		R.P.M.		VOLTS		ENCL							
PHASE		FREQ		FRAME		<h1>BALDOR ELECTRIC Co.</h1> <p>STD VERT 56C OPEN 35M W/BRAKE</p>											
REV. DESC: CHG'D CONDUIT BOX AND LID (SEE EC09)																	
REV. LTR: E		BY: JED		REVISED: 03/31/99 8:16								TDR: 0171800					
9503A L5E		FILE: AAA00007683		MDL: -													
MTL: -																	

35LYE056

CD0005

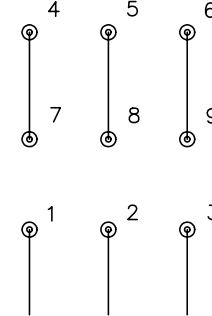


LOW VOLTAGE
(2Y)



LINE

HIGH VOLTAGE
(1Y)



LINE

NOTES:

1. INTERCHANGE ANY TWO LINE LEADS TO REVERSE ROTATION.
2. OPTIONAL THERMOSTATS ARE PROVIDED WHEN SPECIFIED.
3. ACTUAL NUMBER OF INTERNAL PARALLEL CIRCUITS MAY BE A MULTIPLE OF THOSE SHOWN ABOVE.
4. LEAD COLORS ARE OPTIONAL. LEADS MUST ALWAYS BE NUMBERED AS SHOWN.

REV. DESC: REVISE TO SHOW OPTIONAL COLORS			
REV. LTR: E	BY: JLP	REVISED: 01/19/99 10:15	TDR: 0171435
90000		FILE: AAA00005140	MDL: -
		MTL: -	

BALDOR ELECTRIC Co.

3PH, DV, 9 LEADS

CD0005