

BALDOR® • RELIANCE

Product Information Packet

VBM3542-S

.75HP, 1750RPM, 3PH, 60HZ, 56C, 3517M, TEFC, F3

Copyright © All product information within this document is subject to Baldor Electric Company copyright © protection, unless otherwise noted.

Part Detail									
Revision:	H	Status:	PRD/A	Change #:		Proprietary:	No		
Type:	AC	Prod. Type:	3517M	Elec. Spec:	35WGP667	CD Diagram:			
Enclosure:	TEFC	Mfg Plant:		Mech. Spec:	35X055	Layout:			
Frame:	56C	Mounting:	F3	Poles:	04	Created Date:	11-27-2007		
Base:	N	Rotation:	R	Insulation:	F	Eff. Date:	05-10-2012		
Leads:	9#18	Literature:		Elec. Diagram:		Replaced By:			
Nameplate NP1372L									
CAT.NO.	VBM3542-S								
SPEC.	35X055P667H1								
HP	.75								
VOLTS	208-230/460								
AMP	2.5-2.2/1.1								
RPM	1750								
FRAME	56C	HZ	60	PH	3				
SER.F.	1.15	CODE	M	DES	B	CL	F		
NEMA-NOM-EFF	84	PF	73						
RATING	40C AMB-CONT								
CC					USABLE AT 208V				
DE	6205	ODE			6205				
ENCL	TEFC	SN							
	IP22, BRK 3 FT-LB								

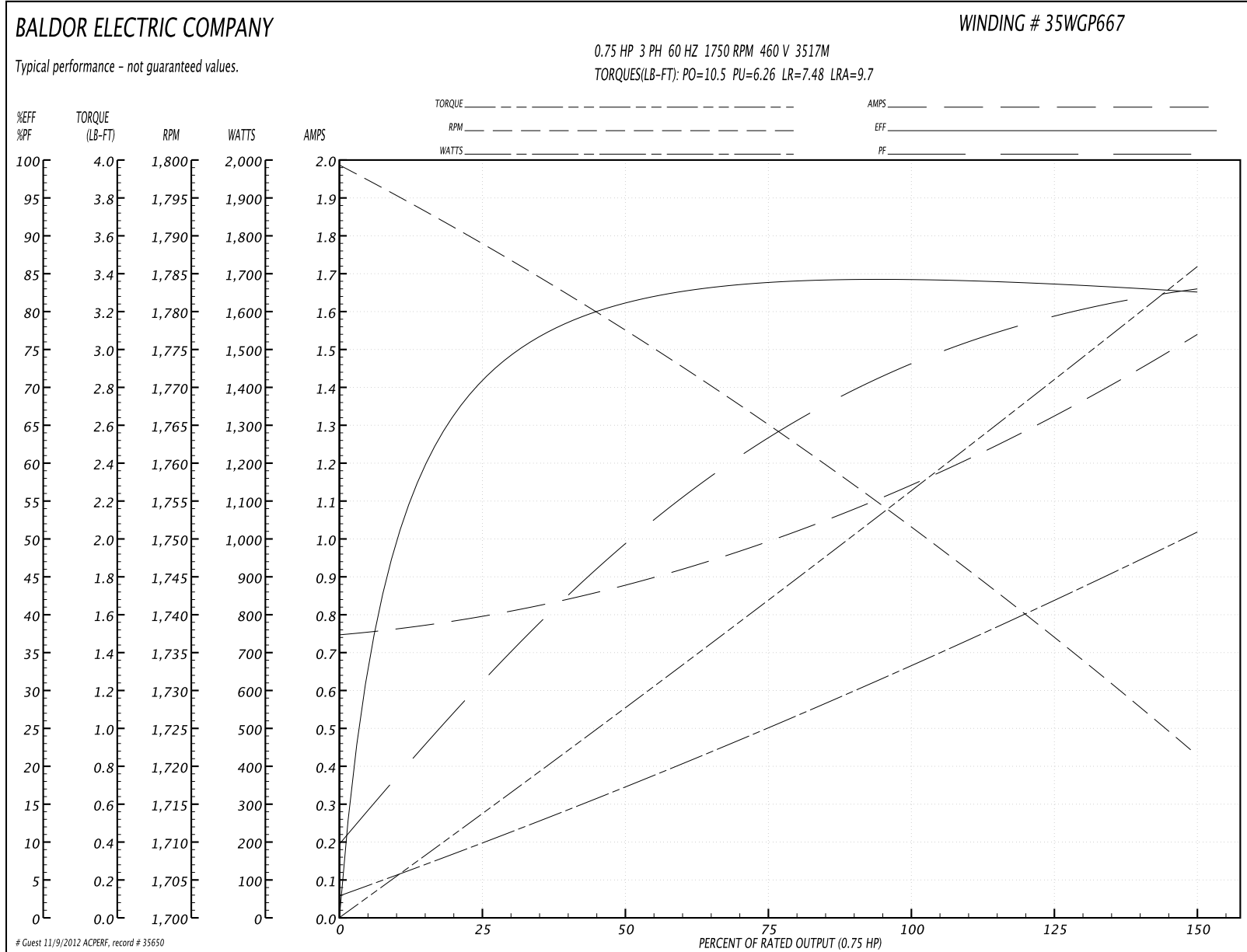
Parts List		
Part Number	Description	Quantity
SA166063	SA 35X055P667H1	1.000 EA
RA154444	RA 35X055P667H1	1.000 EA
S/P101-000-000	EPACT PROCEDURES-FS PLANT-POLYREX EM, NO	1.000 EA
S/P111-000-002	CORONA TEST, SUPER E MOTORS - FT. SMITH	1.000 EA
NS2512A01	INSULATOR, CONDUIT BOX X	1.000 EA
35CB4007	KOBX, AUTOPHORETIC (REL# 79097-49-C)	1.000 EA
35GS3009	GASKET, KOBX 35CB4006 (411881-15A)	1.000 EA
51XB1016A05	10-16X5/16HX WA SL SR TYB (F/S)	2.000 EA
WD4100A110	CAPLUG,BP-1 1/8, PLUG W/RECESSED HEAD	1.000 EA
11XW1032G06	10-32 X .38, TAPTITE II, HEX WSHR SLTD U	1.000 EA
HW5100A05	WVY WSHR F/205 & 304 BRGS	1.000 EA
35EP3300A33	SPL FACE MTD EP -ENCL-205 BRG	1.000 EA
51XN1032A20	10-32 X 1 1/4 HX WS SL SR	2.000 EA
HW1001A10	WASHER, #10 SPLT LK, ZN X	4.000 EA
BR2003D01	SPLINED HUB 7/8 W/O KEY	1.000 EA
35FN3003A02	EXFN, PLASTIC, 5.88 OD, .876 ID (REL)	1.000 EA
35FH4007A01	FAN CVR SSB (REL# 60200449A)	1.000 EA
51XW1032A06	10-32 X .38, TAPTITE II, HEX WSHR SLTD S	4.000 EA
35CB4519	CB LID RAW & UNPRIMED, REL# 79097-50-B	1.000 EA
35GS3019	GASKET, FOR KOBX LID 35CB4519	1.000 EA
51XW0832A07	8-32 X .44, TAPTITE II, HEX WSHR SLTD SE	4.000 EA
HW2501D13SP	KEY, 3/16 SQ X 1.375	1.000 EA
WD4006A01	WIRE JOINT, RB-4 OR RB-44	1.000 EA
HW2501D13SP	KEY, 3/16 SQ X 1.375	1.000 EA

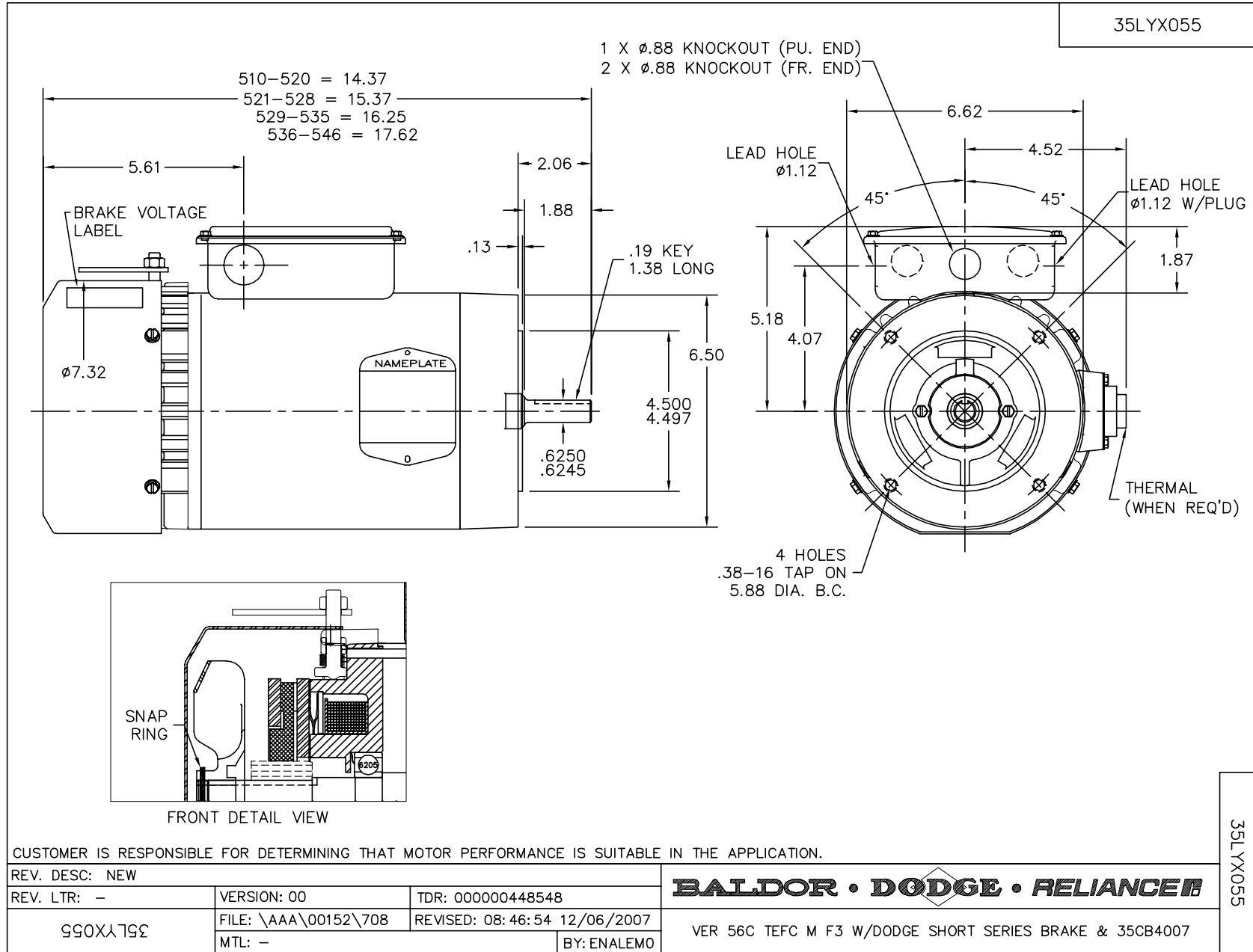
Parts List (continued)		
Part Number	Description	Quantity
HA7000A04	KEY RETAINER 0.625 DIA SHAFTS	1.000 EA
85XU0407S04	4X1/4 U DRIVE PIN STAINLESS	2.000 EA
LB1418	INTEGRAL BRK ADJ LABEL (REL# 41171617A)	1.000 EA
MJ1000A75	GREASE, POLYREX EM EXXON	0.050 LB
MG1000N49	PAINT, 678.50 WILKO, REL GRN (55 GA)	0.017 GA
LB1419	CONN LABEL DODGE BRAKE (REL# 411614-15)	1.000 EA
HA3100A13	THRUBOLT 10-32 X 7.750	4.000 EA
43BK0100B02	SSB-3-230/460 (205) L HUB	1.000 EA
LB1424A02	BRAKE VOLT LABEL 230/460V SSB	1.000 EA
LB1125C04	STD-E (STOCK CTN LABEL STD-E WITH FLAG)	1.000 EA
LB1119	WARNING LABEL	1.000 EA
LC0005	CONN.DIA.,TY M,9-LD,DUAL VOLT,REVERSING	1.000 EA
NP1372L	ALUM UL CSA CE CC	1.000 EA
36PA1001	PACKAGING GROUP	1.000 EA
PK3082	STYROFOAM CRADLE	1.000 EA
LB5040	INSTRUCTION TAG, AC & DC	1.000 EA

Performance Data at 460V, 60Hz, 0.75HP (Typical performance - Not guaranteed values)

General Characteristics							
Full Load Torque:	2.22 LB-FT			Start Configuration:	DOL		
No-Load Current:	0.752 Amps			Break-Down Torque:	10.5 LB-FT		
Line-line Res. @ 25°C.:	23.3 Ohms A Ph / 0.0 Ohms B Ph			Pull-Up Torque:	6.26 LB-FT		
Temp. Rise @ Rated Load:	30 C			Locked-Rotor Torque:	7.48 LB-FT		
Temp. Rise @ S.F. Load:	38 C			Starting Current:	9.7 Amps		
Load Characteristics							
% of Rated Load	25	50	75	100	125	150	S.F.
Power Factor:	32.0	49.0	63.0	72.0	79.0	83.0	76.0
Efficiency:	69.0	80.3	83.8	84.5	84.3	82.2	84.4
Speed:	1790.0	1778.0	1765.0	1752.0	1738.0	1721.0	1744.0
Line Amperes:	0.787	0.87	0.992	1.14	1.32	1.54	1.25

Performance Graph at 460V, 60Hz, 0.75HP Typical performance - Not guaranteed values





CD0005

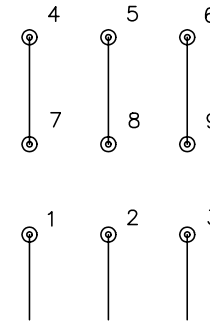


LOW VOLTAGE
(2Y)



LINE

HIGH VOLTAGE
(1Y)



LINE

NOTES:

1. INTERCHANGE ANY TWO LINE LEADS TO REVERSE ROTATION.
2. OPTIONAL THERMOSTATS ARE PROVIDED WHEN SPECIFIED.
3. ACTUAL NUMBER OF INTERNAL PARALLEL CIRCUITS MAY BE A MULTIPLE OF THOSE SHOWN ABOVE.
4. LEAD COLORS ARE OPTIONAL. LEADS MUST ALWAYS BE NUMBERED AS SHOWN.

REV. DESC: REVISE TO SHOW OPTIONAL COLORS			
REV. LTR: E	BY: JLP	REVISED: 01/19/99 10:15	TDR: 0171435
90000		FILE: AAA00005140	MDL: -
		MTL: -	

BALDOR ELECTRIC Co.

3PH, DV, 9 LEADS

CD0005