

BALDOR® • RELIANCE

Product Information Packet

VEBM3558T

2HP, 1755RPM, 3PH, 60HZ, 145TC, 3530M, TEFC, F1

Copyright © All product information within this document is subject to Baldor Electric Company copyright © protection, unless otherwise noted.

Part Detail									
Revision:	E	Status:	PRD/A	Change #:		Proprietary:	No		
Type:	AC	Prod. Type:	3530M	Elec. Spec:	35WGM494	CD Diagram:			
Enclosure:	TEFC	Mfg Plant:		Mech. Spec:	35E060	Layout:			
Frame:	145TC	Mounting:	F1	Poles:	04	Created Date:	08-06-2010		
Base:	N	Rotation:	R	Insulation:	F	Eff. Date:	01-06-2012		
Leads:	9#18	Literature:		Elec. Diagram:		Replaced By:			
Nameplate NP1259L									
CAT.NO.	VEBM3558T								
SPEC.	35E060M494G1								
HP	2								
VOLTS	208-230/460								
AMP	6-5.8/2.9								
RPM	1755								
FRAME	145TC	HZ			60	PH	3		
SER.F.	1.15	CODE			L	DES	B	CL	F
NEMA-NOM-EFF	86.5	PF			73				
RATING	40C AMB-CONT								
CC				USABLE AT 208V					
DE	6205	ODE			6203				
ENCL	TEFC	SN							

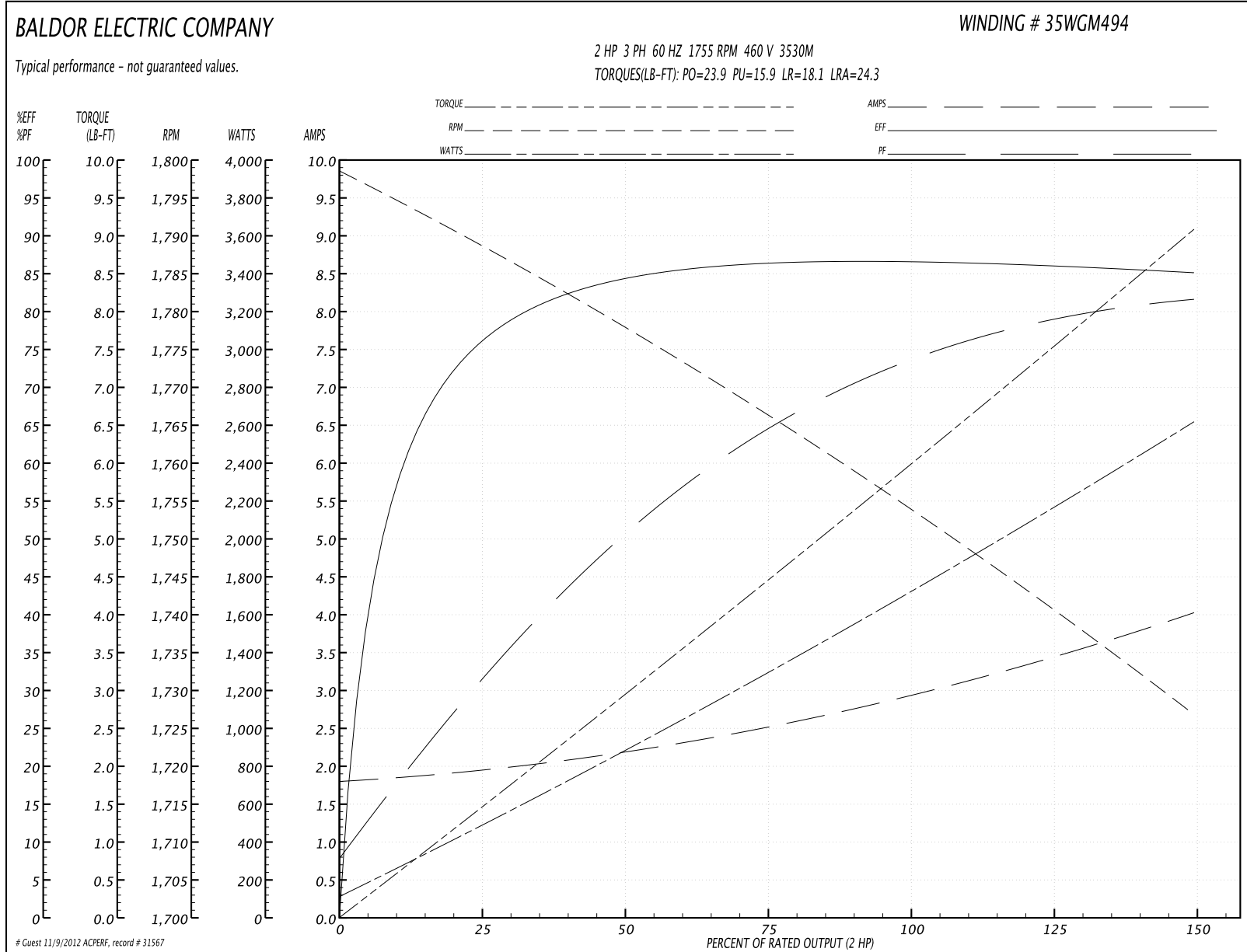
Parts List		
Part Number	Description	Quantity
SA201423	SA 35E060M494G1	1.000 EA
RA188722	RA 35E060M494G1	1.000 EA
S/P107-000-001	SUPER E PROC'S-FS & WS PLTS-POLYREX EM G	1.000 EA
NS2512A01	INSULATOR, CONDUIT BOX X	1.000 EA
35CB3007	35 CB CASTING W/.88 DIA. LEAD HOLE	1.000 EA
36GS1000SP	GASKET-CONDUIT BOX, .06 THICK #SV-330 LE	1.000 EA
51XB1016A07	10-16 X 7/16 HXWSSLD SERTYB	2.000 EA
11XW1032G06	10-32 X .38, TAPTITE II, HEX WSHR SLTD U	1.000 EA
35EP3900T02	SPL FACE MTD FR EP-ENCL-W/STEARNS BRAKE	1.000 EA
HW4500A01	1641B(ALEMITE)400 UNIV, GREASE FITT	1.000 EA
HW5100A03SP	WAVY WASHER (W1543-017)	1.000 EA
35EP3300A46	SPL FACE MTD EP-ENCL-145TC-205 BRG	1.000 EA
HW4500A01	1641B(ALEMITE)400 UNIV, GREASE FITT	1.000 EA
51XN1032A20	10-32 X 1 1/4 HX WS SL SR	2.000 EA
HA1014A02SP	SPL SPACER FOR FAN COVER MTD ON BRAKE	3.000 EA
51XB1016A07	10-16 X 7/16 HXWSSLD SERTYB	3.000 EA
BR1003A01	BRAKE RELEASE LEVER	1.000 EA
35FH5000A08SP	FAN COVER ASSY FOR BRAKE MTRS,W/ AUTOPHE	1.000 EA
51XW1032A06	10-32 X .38, TAPTITE II, HEX WSHR SLTD S	3.000 EA
35CB4521GX	CONDUIT BOX LID KIT	1.000 EA
51XW0832A07	8-32 X .44, TAPTITE II, HEX WSHR SLTD SE	4.000 EA
HW2501D13SP	KEY, 3/16 SQ X 1.375	1.000 EA
HA7000A01	KEY RETAINER 7/8" DIA SHAFT	1.000 EA
85XU0407S04	4X1/4 U DRIVE PIN STAINLESS	2.000 EA

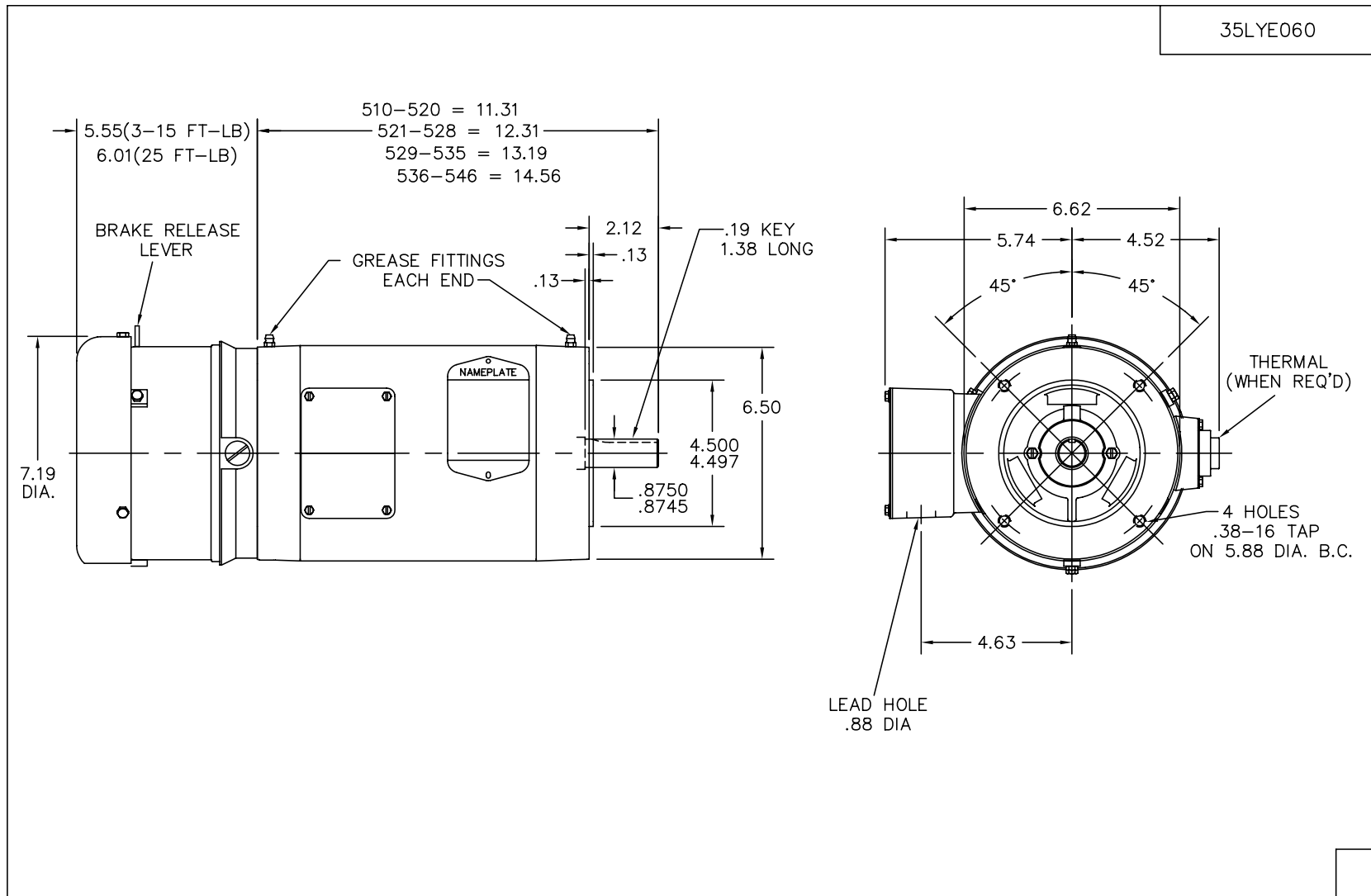
Parts List (continued)		
Part Number	Description	Quantity
MJ1000A75	GREASE, POLYREX EM EXXON	0.050 LB
HW2501D08	KEY, 3/16 SQ X .875 AUTO	1.000 EA
84XN3816J28	HEX SOC HD, 3/8-16 X 1.75 LONG	2.000 EA
76BK3100BQF	1-056-031-00-BQF BRAKE TDR# 79345	1.000 EA
35FN3002A01SP	EXFN, PLASTIC, 6.376 OD, .625 ID W/FLAT	1.000 EA
51XB1214A16	12-14X1.00 HXWSSLD SERTYB	1.000 EA
HA3100A18	THRUBOLT 10-32 X 9.250	4.000 EA
MG1000Y03	WILKO 689.710 GOLD PAINT SUPER E	0.017 GA
LB1125C02	SUPER-E (STOCK CTN LABEL SUPER-E WITH FL	1.000 EA
LC0005E01	CONN.DIA./WARNING LABEL (LC0005/LB1119)	1.000 EA
LB1357	ENERGY GUIDE LABEL (BOX LABEL)	1.000 SH
LB1404	BRAKE CONNECTION LABEL	1.000 EA
NP1259L	ALUM SUPER-E UL CSA-EEV CC NEMA PREMIUM	1.000 EA
PK3082	STYROFOAM CRADLE	1.000 EA
G7PA1000	PACKAGING GROUP / BALDOR	1.000 EA

Performance Data at 460V, 60Hz, 2.0HP (Typical performance - Not guaranteed values)

General Characteristics							
Full Load Torque:	5.95 LB-FT			Start Configuration:	DOL		
No-Load Current:	1.82 Amps			Break-Down Torque:	23.9 LB-FT		
Line-line Res. @ 25°C.:	7.46 Ohms A Ph / 0.0 Ohms B Ph			Pull-Up Torque:	15.9 LB-FT		
Temp. Rise @ Rated Load:	61 C			Locked-Rotor Torque:	18.1 LB-FT		
Temp. Rise @ S.F. Load:	74 C			Starting Current:	24.3 Amps		
Load Characteristics							
% of Rated Load	25	50	75	100	125	150	S.F.
Power Factor:	32.0	51.0	64.0	73.0	79.0	82.0	77.0
Efficiency:	75.7	84.2	86.4	87.3	86.2	85.1	86.4
Speed:	1788.5	1778.0	1766.7	1754.5	1740.8	1726.6	1746.0
Line Amperes:	1.92	2.17	2.51	2.94	3.46	4.01	3.25

Performance Graph at 460V, 60Hz, 2.0HP Typical performance - Not guaranteed values





35LYE060

CUST. NAME		CUST. P.O.		CERTIFIED BY		MODEL		INSUL		AMB	
H.P.		MTG		TYPE		R.P.M.		VOLTS		ENCL	
REV. LTR: G		BY: JED		REVISED: 03/31/99 8:21		TDR: 0171800		PHASE		FREQ	
09031752		FILE: AAA00006569		MDL: -		MTL: -		FRAME		35LYE060	
BALDOR ELECTRIC Co.								STD VERT 143-5TC TEFC 35M FACE MTD W/BRAKE			

CD0005



LOW VOLTAGE
(2Y)



LINE

HIGH VOLTAGE
(1Y)



LINE

NOTES:

1. INTERCHANGE ANY TWO LINE LEADS TO REVERSE ROTATION.
2. OPTIONAL THERMOSTATS ARE PROVIDED WHEN SPECIFIED.
3. ACTUAL NUMBER OF INTERNAL PARALLEL CIRCUITS MAY BE A MULTIPLE OF THOSE SHOWN ABOVE.
4. LEAD COLORS ARE OPTIONAL. LEADS MUST ALWAYS BE NUMBERED AS SHOWN.

REV. DESC: REVISE TO SHOW OPTIONAL COLORS			
REV. LTR: E	BY: JLP	REVISED: 01/19/99 10:15	TDR: 0171435
90000		FILE: AAA00005140	MDL: -
		MTL: -	

BALDOR ELECTRIC Co.

3PH, DV, 9 LEADS

CD0005