

BALDOR® • *RELIANCE*

Product Information Packet

VEBM3611T

3HP, 1760RPM, 3PH, 60HZ, 182TC, 3631M, TEFC, F1

Copyright © All product information within this document is subject to Baldor Electric Company copyright © protection, unless otherwise noted.

Part Detail							
Revision:	B	Status:	PRD/A	Change #:		Proprietary:	No
Type:	AC	Prod. Type:	3631M	Elec. Spec:	36WGS266	CD Diagram:	
Enclosure:	TEFC	Mfg Plant:		Mech. Spec:	36E049	Layout:	
Frame:	182TC	Mounting:	F1	Poles:	04	Created Date:	10-04-2011
Base:	N	Rotation:	R	Insulation:	F	Eff. Date:	05-11-2012
Leads:	9#16	Literature:		Elec. Diagram:		Replaced By:	

Nameplate NP1259L									
CAT.NO.	VEBM3611T								
SPEC.	36E049S266G1								
HP	3								
VOLTS	208-230/460								
AMP	9-8.4/4.2								
RPM	1760								
FRAME	182TC	HZ	60	PH	3				
SER.F.	1.15	CODE	K	DES	B	CL	F		
NEMA-NOM-EFF	89.5	PF	75						
RATING	40C AMB-CONT								
CC	USABLE AT 208V			9					
DE	6206	ODE	6205						
ENCL	TEFC	SN							

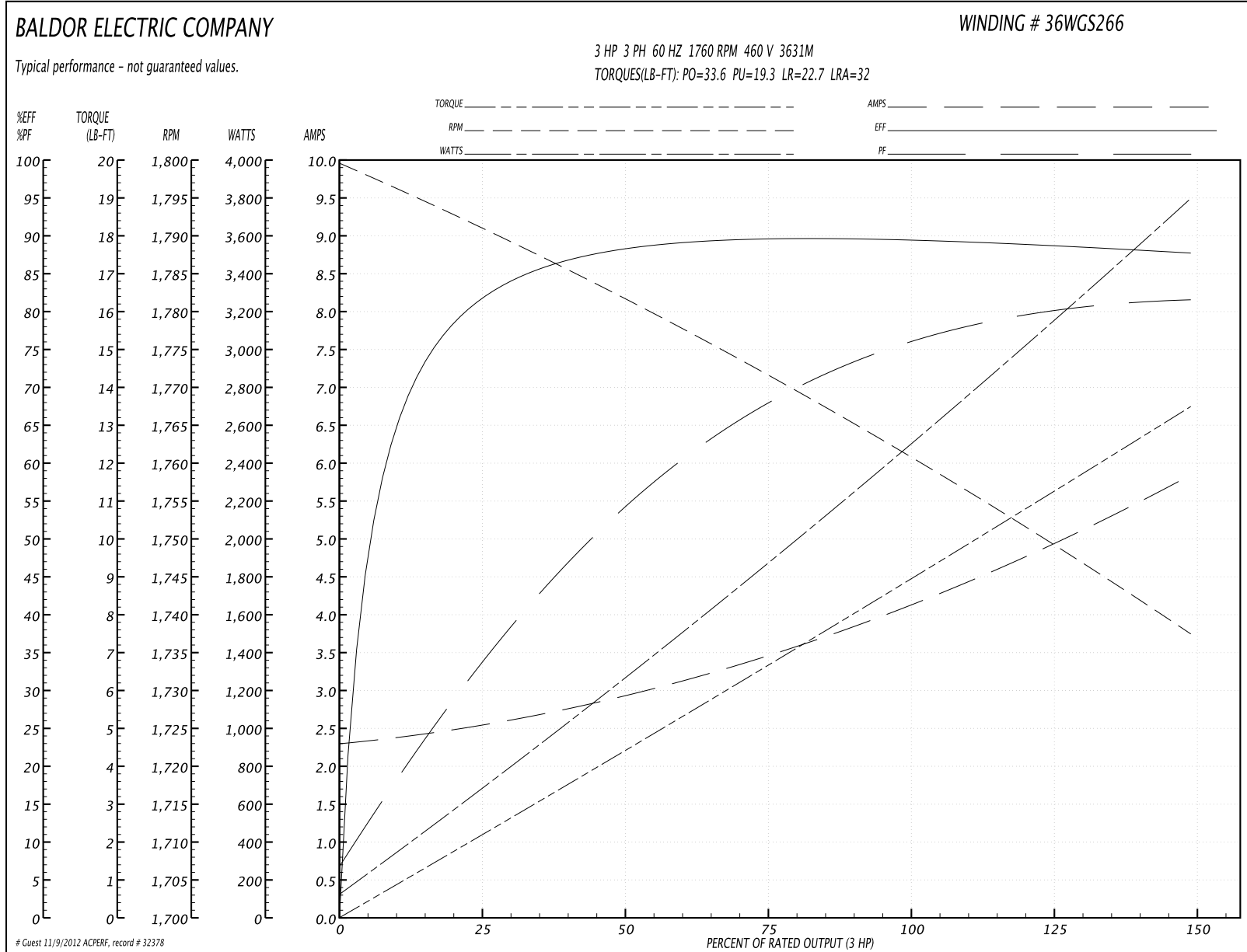
Parts List		
Part Number	Description	Quantity
SA231936	SA 36E049S266G1	1.000 EA
RA218947	RA 36E049S266G1	1.000 EA
S/P107-000-001	SUPER E PROC'S-FS & WS PLTS-POLYREX EM G	1.000 EA
36CB3004	36 CB CASTING W/1.09 DIA LEAD HOLE @ 6:0	1.000 EA
36GS1000SP	GASKET-CONDUIT BOX, .06 THICK #SV-330 LE	1.000 EA
51XB1016A08	10-16X 1/2HXWSSLD SERTYB	2.000 EA
11XW1032G06	10-32 X .38, TAPTITE II, HEX WSHR SLTD U	1.000 EA
HW3001B01	003SS CUP WASHER, FOR #8 SCREW	1.000 EA
36EP3306A04	FR ENDPLATE, MACH .281 FOR T-BOLT, W/O T	1.000 EA
HW4500A01	1641B(ALEMITE)400 UNIV, GREASE FITT	1.000 EA
HW5100A05	WVY WSHR F/205 & 304 BRGS	1.000 EA
36EP3301A23	PU ENDPLATE, ENCL. 182-4TC 206 BRG. W/GR	1.000 EA
HW4500A01	1641B(ALEMITE)400 UNIV, GREASE FITT	1.000 EA
10XN2520A28	1/4-20X 1 3/4 HEX HD	4.000 EA
HW1001A25	LOCKWASHER 1/4, ZINC PLT .493 OD, .255 I	4.000 EA
BR1003A01	BRAKE RELEASE LEVER	1.000 EA
HW2501D10	KEY, 3/16 SQ X 1.000	1.000 EA
51XB1214A16	12-14X1.00 HXWSSLD SERTYB	1.000 EA
HA1014A02SP	SPL SPACER FOR FAN COVER MTD ON BRAKE	3.000 EA
51XB1016A07	10-16 X 7/16 HXWSSLD SERTYB	3.000 EA
35FH5000A08SP	FAN COVER ASSY FOR BRAKE MTRS,W/ AUTOPHE	1.000 EA
51XB1016A07	10-16 X 7/16 HXWSSLD SERTYB	3.000 EA
36CB4516	36 LIPPED CB LID	1.000 EA
37GS1001SP	GASKET, CONDUIT BOX LID, .06 THICK LEXID	1.000 EA

Parts List (continued)		
Part Number	Description	Quantity
51XW0832A07	8-32 X .44, TAPTITE II, HEX WSHR SLTD SE	4.000 EA
HW2501E16	3KEY, 1/4 SQ X 1.750	1.000 EA
HA7000A02	KEY RETAINER RING, 1 1/8 DIA, 1 3/8 DIA	1.000 EA
85XU0407S04	4X1/4 U DRIVE PIN STAINLESS	2.000 EA
MJ1000A75	GREASE, POLYREX EM EXXON	0.050 LB
35FN3002A05SP	EXFN, PLASTIC, 6.376 OD, .638 ID	1.000 EA
84XN3816J28	HEX SOC HD, 3/8-16 X 1.75 LONG	2.000 EA
MG1000Y03	WILKO 689.710 GOLD PAINT SUPER E	0.022 GA
76BK4100DQF	1-056-041-00-DQF BRAKE TDR# 79345	1.000 EA
HA3103A05	THRUBOLT 1/4-20 X 11.375 W/SLOTTED HEAD	4.000 EA
LB1125C02	SUPER-E (STOCK CTN LABEL SUPER-E WITH FL	1.000 EA
LC0005E01	CONN.DIA./WARNING LABEL (LC0005/LB1119)	1.000 EA
LB1404	BRAKE CONNECTION LABEL	1.000 EA
LB1357	ENERGY GUIDE LABEL (BOX LABEL)	1.000 SH
NP1259L	ALUM SUPER-E UL CSA-EEV CC NEMA PREMIUM	1.000 EA
G0PA1000	PACKAGING GROUP	1.000 EA
PK3082	STYROFOAM CRADLE	1.000 EA

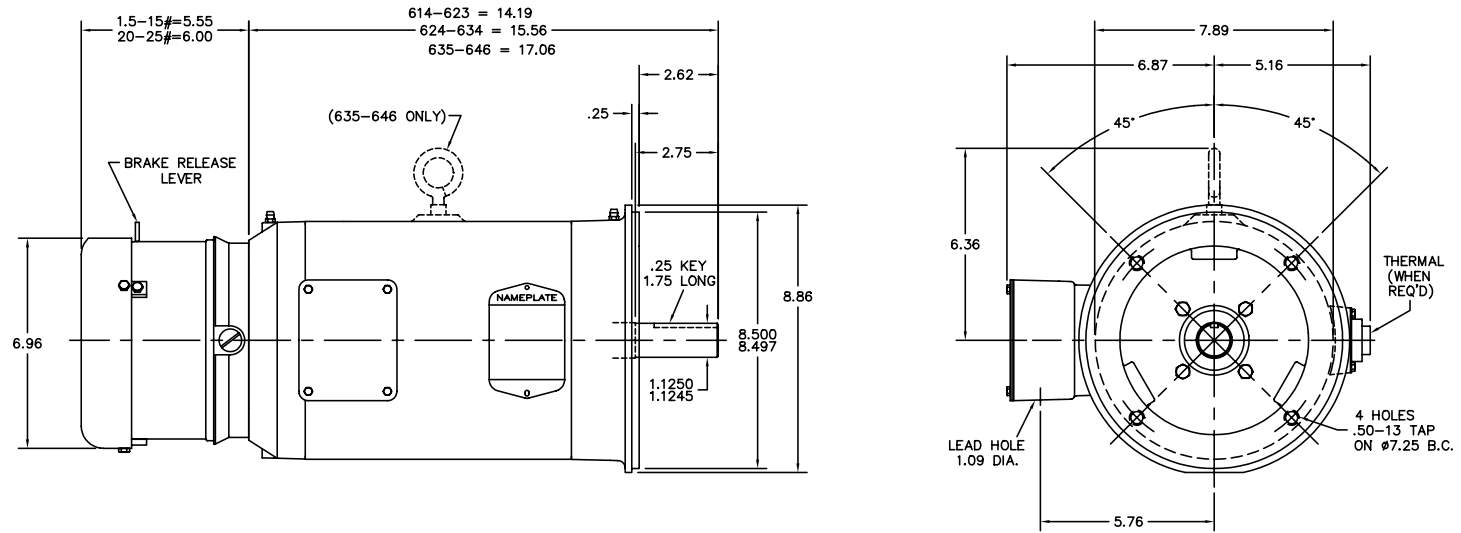
Performance Data at 460V, 60Hz, 3.0HP (Typical performance - Not guaranteed values)

General Characteristics							
Full Load Torque:	8.88 LB-FT			Start Configuration:	DOL		
No-Load Current:	2.33 Amps			Break-Down Torque:	33.6 LB-FT		
Line-line Res. @ 25°C.:	4.01 Ohms A Ph / 0.0 Ohms B Ph			Pull-Up Torque:	19.3 LB-FT		
Temp. Rise @ Rated Load:	40 C			Locked-Rotor Torque:	22.7 LB-FT		
Temp. Rise @ S.F. Load:	48 C			Starting Current:	32.0 Amps		
Load Characteristics							
% of Rated Load	25	50	75	100	125	150	S.F.
Power Factor:	34.0	54.0	68.0	75.0	79.0	82.0	77.0
Efficiency:	80.9	87.8	89.5	89.6	88.9	88.0	89.2
Speed:	1791.0	1781.8	1771.6	1761.8	1749.6	1737.2	1754.0
Line Amperes:	2.5	2.89	3.43	4.15	4.95	5.81	4.63

Performance Graph at 460V, 60Hz, 3.0HP Typical performance - Not guaranteed values



36LYE049



CUSTOMER IS RESPONSIBLE FOR DETERMINING THAT MOTOR PERFORMANCE IS SUITABLE IN THE APPLICATION.

REV. DESC:	36EP3306A04 WAS 36EP130349
REV. LTR:	N BY: JMB REVISED: 07/25/00 8:14 TDR: 0214694
FILE:	AAA00000938 REF: -
MTL:	-

BALDOR ELECTRIC Co.

STD VERT 182-4TC TEFC 36M W/BRAKE (76BK')

36LYE049

CD0005

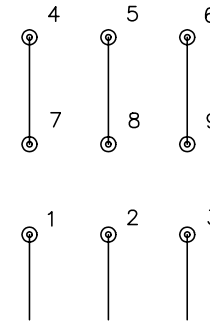


LOW VOLTAGE
(2Y)



LINE

HIGH VOLTAGE
(1Y)



LINE

NOTES:

1. INTERCHANGE ANY TWO LINE LEADS TO REVERSE ROTATION.
2. OPTIONAL THERMOSTATS ARE PROVIDED WHEN SPECIFIED.
3. ACTUAL NUMBER OF INTERNAL PARALLEL CIRCUITS MAY BE A MULTIPLE OF THOSE SHOWN ABOVE.
4. LEAD COLORS ARE OPTIONAL. LEADS MUST ALWAYS BE NUMBERED AS SHOWN.

REV. DESC: REVISE TO SHOW OPTIONAL COLORS			
REV. LTR: E	BY: JLP	REVISED: 01/19/99 10:15	TDR: 0171435
9000D		FILE: AAA00005140	MDL: -
		MTL: -	

BALDOR ELECTRIC Co.

3PH, DV, 9 LEADS

CD0005