

BALDOR® • *RELIANCE*

Product Information Packet

VEBNM3538

.5HP, 1765RPM, 3PH, 60HZ, 56C, 3516M, TENV, F1

Copyright © All product information within this document is subject to Baldor Electric Company copyright © protection, unless otherwise noted.

Part Detail							
Revision:	F	Status:	PRD/A	Change #:		Proprietary:	No
Type:	AC	Prod. Type:	3516M	Elec. Spec:	35WGM303	CD Diagram:	
Enclosure:	TENV	Mfg Plant:		Mech. Spec:	35F893	Layout:	
Frame:	56C	Mounting:	F1	Poles:	04	Created Date:	11-29-2010
Base:	N	Rotation:	R	Insulation:	F	Eff. Date:	09-26-2012
Leads:	9#18	Literature:		Elec. Diagram:		Replaced By:	

Nameplate NP1256L									
CAT.NO.	VEBNM3538								
SPEC.	35F893M303G1								
HP	.5								
VOLTS	230/460								
AMP	1.8/.9								
RPM	1765								
FRAME	56C	HZ	60	PH	3				
SER.F.	1.15	CODE	N	DES	B	CLASS	F		
NEMA-NOM-EFF	84	PF	64						
RATING	40C AMB-CONT								
CC	USABLE AT 208V								
DE	6205	ODE	6203						
ENCL	TENV	SN							

Parts List		
Part Number	Description	Quantity
SA212480	SA 35F893M303G1	1.000 EA
RA199710	RA 35F893M303G1	1.000 EA
NS2512A01	INSULATOR, CONDUIT BOX X	1.000 EA
35CB3000SP	CONDUIT BOX, CAST, W/.88 DIA. LEAD HOLE	1.000 EA
36GS1000SP	GASKET-CONDUIT BOX, .06 THICK #SV-330 LE	1.000 EA
51XB1016A07	10-16 X 7/16 HXWSSLD SERTYB	2.000 EA
11XW1032G06	10-32 X .38, TAPTITE II, HEX WSHR SLTD U	1.000 EA
HW3001B01	003SS CUP WASHER, FOR #8 SCREW	1.000 EA
35EP3900T25	FR EP FACE MNT ENCL FOR BRAKE	1.000 EA
HW5100A03SP	WAVY WASHER (W1543-017)	1.000 EA
35EP3300A33	SPL FACE MTD EP -ENCL-205 BRG	1.000 EA
51XN1032A20	10-32 X 1 1/4 HX WS SL SR	2.000 EA
HW2501D10	KEY, 3/16 SQ X 1.000	1.000 EA
35CB4514	35 LIPPED CB LID	1.000 EA
36GS1001SP	GASKET, CONDUIT BOX LID, .06 THICK #SV-3	1.000 EA
51XW0832A07	8-32 X .44, TAPTITE II, HEX WSHR SLTD SE	4.000 EA
HW2501D13SP	KEY, 3/16 SQ X 1.375	1.000 EA
HA7000A04	KEY RETAINER 0.625 DIA SHAFTS	1.000 EA
85XU0407S04	4X1/4 U DRIVE PIN STAINLESS	2.000 EA
MJ1000A75	GREASE, POLYREX EM EXXON	0.050 LB
84XN3816J28	HEX SOC HD, 3/8-16 X 1.75 LONG	2.000 EA
MG1000G27	PAINT- S9282E CHARCOAL GREY	0.017 GA
HA3100A12	THRUBOLT 10-32 X 7.375	4.000 EA
76BK1100BQF	1-056-011-00-BQF BRAKE TDR# 79345	1.000 EA

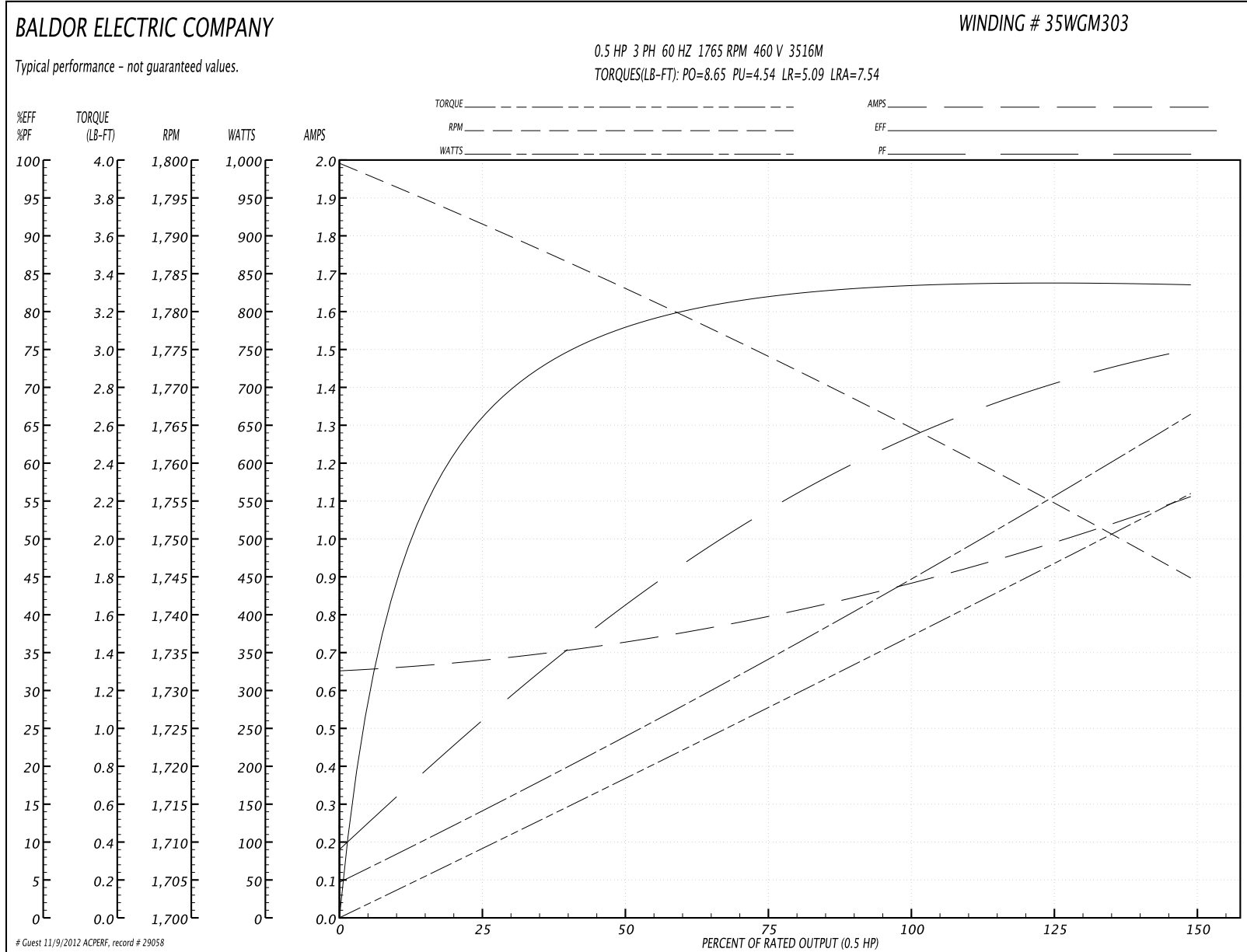
Parts List (continued)		
Part Number	Description	Quantity
LB1125C01	STD (STOCK) CARTON LABEL BALDOR WITH FLA	1.000 EA
LC0005E01	CONN.DIA./WARNING LABEL (LC0005/LB1119)	1.000 EA
NP1256L	ALUM UL CSA CC	1.000 EA
36PA1000	PACK GROUP W/LB5001	1.000 EA
PK3082	STYROFOAM CRADLE	1.000 EA

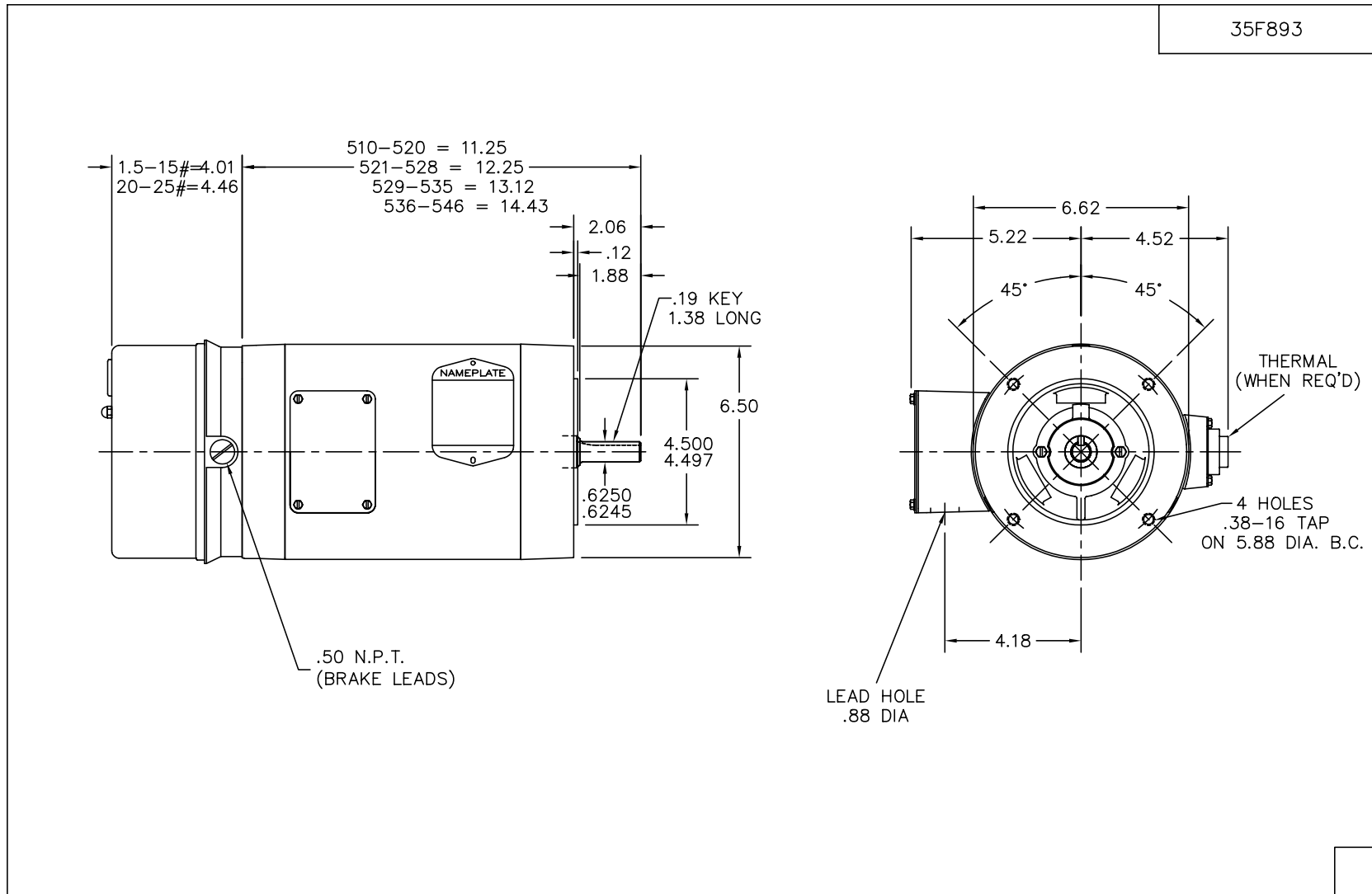
Performance Data at 460V, 60Hz, 0.5HP (Typical performance - Not guaranteed values)

General Characteristics			
Full Load Torque:	1.49 LB-FT	Start Configuration:	DOL
No-Load Current:	0.655 Amps	Break-Down Torque:	8.65 LB-FT
Line-line Res. @ 25°C.:	25.6 Ohms A Ph / 0.0 Ohms B Ph	Pull-Up Torque:	4.54 LB-FT
Temp. Rise @ Rated Load:	54 C	Locked-Rotor Torque:	5.09 LB-FT
Temp. Rise @ S.F. Load:	65 C	Starting Current:	7.54 Amps

Load Characteristics							
% of Rated Load	25	50	75	100	125	150	S.F.
Power Factor:	26.0	41.0	54.0	64.0	70.0	75.0	70.0
Efficiency:	65.5	77.9	81.9	83.6	83.9	83.5	83.9
Speed:	1793.0	1783.0	1774.0	1765.0	1755.0	1745.0	1755.0
Line Amperes:	0.674	0.725	0.793	0.885	0.986	1.11	0.986

Performance Graph at 460V, 60Hz, 0.5HP Typical performance - Not guaranteed values





35F893

CUST. NAME		CUST. P.O.		CERTIFIED BY		MODEL		INSUL		AMB	
H.P.		MTG		TYPE		R.P.M.		VOLTS		ENCL	
PHASE		FREQ		FRAME		REMARKS:					
REV:	F	CHANGED FREP									
Ω68J9Ω		SCALE: .25	BY: JKH	REVISED: 05/11/98		<h2 style="margin: 0;">BALDOR ELECTRIC Co.</h2> <p style="margin: 0;">VERT 56C TENV 35M W/ STEARNS BRAKE (EXTERNALLY CONNECTED)</p>					
FILE: AAA00037663		TDR: 0149646									

35F893

CD0005



LOW VOLTAGE
(2Y)



LINE

HIGH VOLTAGE
(1Y)



LINE

NOTES:

1. INTERCHANGE ANY TWO LINE LEADS TO REVERSE ROTATION.
2. OPTIONAL THERMOSTATS ARE PROVIDED WHEN SPECIFIED.
3. ACTUAL NUMBER OF INTERNAL PARALLEL CIRCUITS MAY BE A MULTIPLE OF THOSE SHOWN ABOVE.
4. LEAD COLORS ARE OPTIONAL. LEADS MUST ALWAYS BE NUMBERED AS SHOWN.

REV. DESC: REVISE TO SHOW OPTIONAL COLORS			
REV. LTR: E	BY: JLP	REVISED: 01/19/99 10:15	TDR: 0171435
90000		FILE: AAA00005140	MDL: -
		MTL: -	

BALDOR ELECTRIC Co.

3PH, DV, 9 LEADS

CD0005