

# **BALDOR**® • *RELIANCE*

## Product Information Packet

# VEBNM3542

.75HP,1750RPM,3PH,60HZ,56C,3517M,TENV,F1

Copyright © All product information within this document is subject to Baldor Electric Company copyright © protection, unless otherwise noted.

Part Detail							
Revision:	G	Status:	PRD/A	Change #:		Proprietary:	No
Type:	AC	Prod. Type:	3517M	Elec. Spec:	35WGP667	CD Diagram:	
Enclosure:	TENV	Mfg Plant:		Mech. Spec:	35F893	Layout:	
Frame:	56C	Mounting:	F1	Poles:	04	Created Date:	11-27-2007
Base:	N	Rotation:	R	Insulation:	F	Eff. Date:	09-26-2012
Leads:	9#18	Literature:		Elec. Diagram:		Replaced By:	

Nameplate NP2116L									
CAT.NO.	VEBNM3542								
SPEC.	35F893P667G1								
HP	.75								
VOLTS	208-230/460								
AMP	2.5-2.2/1.1								
RPM	1750								
FRAME	56C	HZ	60	PH	3				
SER.F.	1.15	CODE	M	DES	B	CL	F		
NEMA-NOM-EFF	84	PF	73						
RATING	40C AMB-CONT								
CC	USABLE AT 208V								
DE	6205	ODE	6203						
ENCL	TENV	SN							

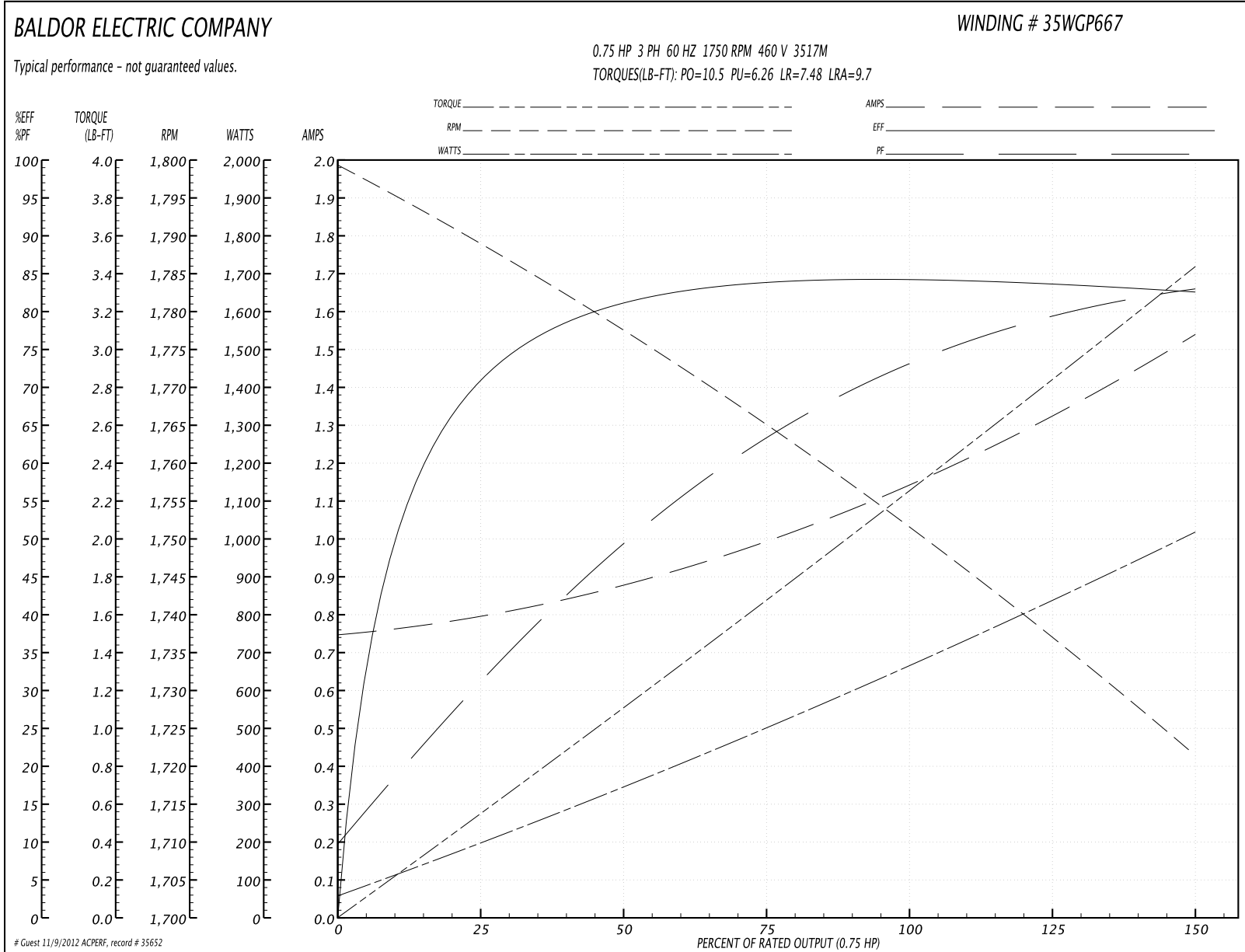
Parts List		
Part Number	Description	Quantity
SA165355	SA 35F893P667G1	1.000 EA
RA153761	RA 35F893P667G1	1.000 EA
S/P107-000-001	SUPER E PROC'S-FS & WS PLTS-POLYREX EM G	1.000 EA
NS2512A01	INSULATOR, CONDUIT BOX X	1.000 EA
35CB3000SP	CONDUIT BOX, CAST, W/.88 DIA. LEAD HOLE	1.000 EA
36GS1000SP	GASKET-CONDUIT BOX, .06 THICK #SV-330 LE	1.000 EA
51XB1016A07	10-16 X 7/16 HXWSSLD SERTYB	2.000 EA
11XW1032G06	10-32 X .38, TAPTITE II, HEX WSHR SLTD U	1.000 EA
HW3001B01	003SS CUP WASHER, FOR #8 SCREW	1.000 EA
35EP3900T25	FR EP FACE MNT ENCL FOR BRAKE	1.000 EA
HW5100A03SP	WAVY WASHER (W1543-017)	1.000 EA
35EP3300A33	SPL FACE MTD EP -ENCL-205 BRG	1.000 EA
51XN1032A20	10-32 X 1 1/4 HX WS SL SR	2.000 EA
HW2501D10	KEY, 3/16 SQ X 1.000	1.000 EA
35CB4514	35 LIPPED CB LID	1.000 EA
36GS1001SP	GASKET, CONDUIT BOX LID, .06 THICK #SV-3	1.000 EA
51XW0832A07	8-32 X .44, TAPTITE II, HEX WSHR SLTD SE	4.000 EA
HW2501D13SP	KEY, 3/16 SQ X 1.375	1.000 EA
HA7000A04	KEY RETAINER 0.625 DIA SHAFTS	1.000 EA
85XU0407S04	4X1/4 U DRIVE PIN STAINLESS	2.000 EA
MJ1000A75	GREASE, POLYREX EM EXXON	0.050 LB
84XN3816J28	HEX SOC HD, 3/8-16 X 1.75 LONG	2.000 EA
MG1000Y03	WILKO 689.710 GOLD PAINT SUPER E	0.017 GA
HA3100A12	THRUBOLT 10-32 X 7.375	4.000 EA

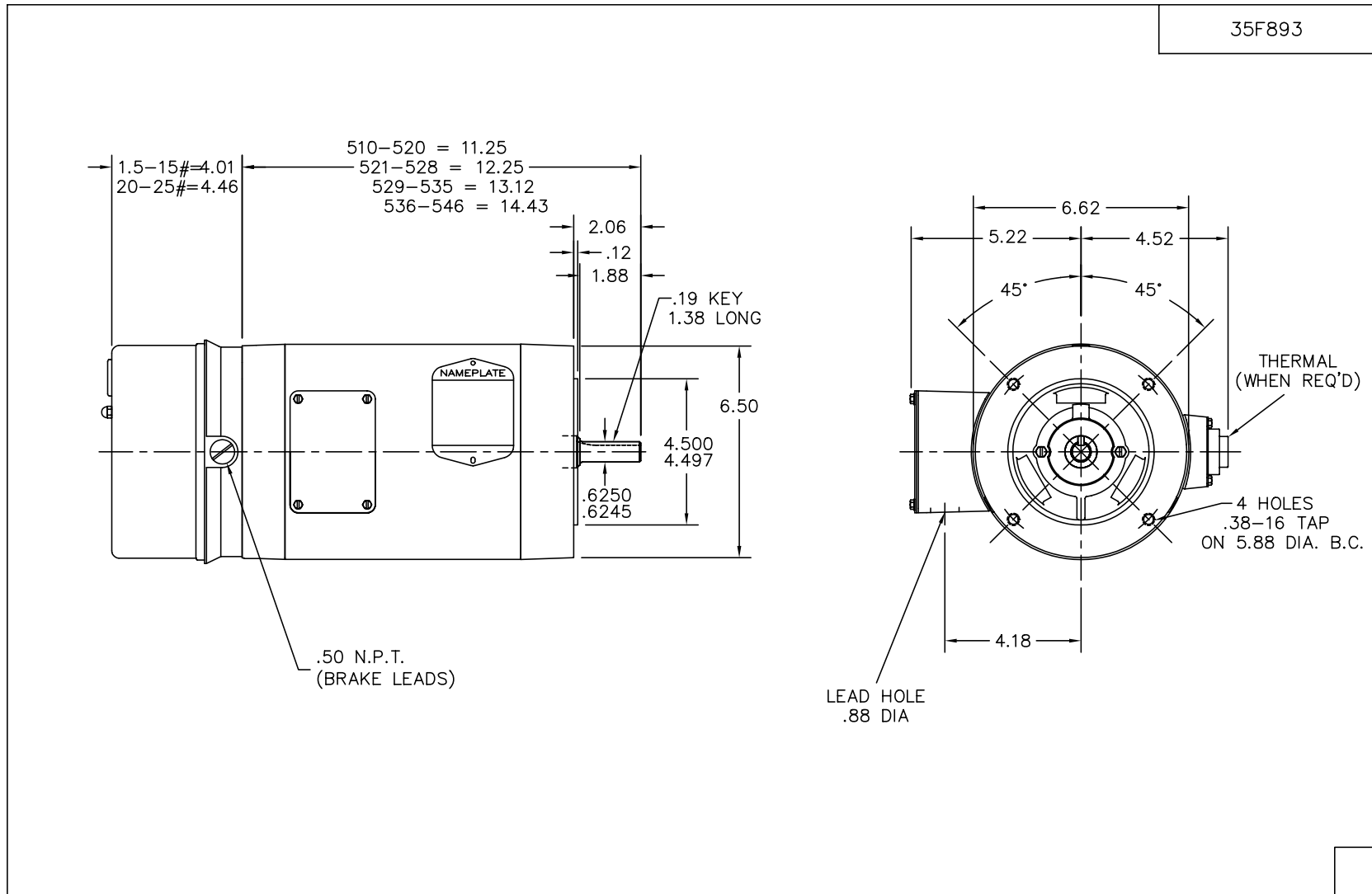
Parts List (continued)		
Part Number	Description	Quantity
76BK2100BQF	1-056-021-00-BQF BRAKE TDR# 79345	1.000 EA
LB1125C02	SUPER-E (STOCK CTN LABEL SUPER-E WITH FL	1.000 EA
LC0005E01	CONN.DIA./WARNING LABEL (LC0005/LB1119)	1.000 EA
NP2116L	ALUM SUPER-E UL CSA CC	1.000 EA
36PA1000	PACK GROUP W/LB5001	1.000 EA
PK3082	STYROFOAM CRADLE	1.000 EA

**Performance Data at 460V, 60Hz, 0.75HP (Typical performance - Not guaranteed values)**

General Characteristics							
Full Load Torque:	2.22 LB-FT			Start Configuration:	DOL		
No-Load Current:	0.752 Amps			Break-Down Torque:	10.5 LB-FT		
Line-line Res. @ 25°C.:	23.3 Ohms A Ph / 0.0 Ohms B Ph			Pull-Up Torque:	6.26 LB-FT		
Temp. Rise @ Rated Load:	60 C			Locked-Rotor Torque:	7.48 LB-FT		
Temp. Rise @ S.F. Load:	70 C			Starting Current:	9.7 Amps		
Load Characteristics							
% of Rated Load	25	50	75	100	125	150	S.F.
Power Factor:	32.0	49.0	63.0	72.0	79.0	83.0	76.0
Efficiency:	69.0	80.3	83.8	84.5	84.3	82.2	84.4
Speed:	1790.0	1778.0	1765.0	1752.0	1738.0	1721.0	1744.0
Line Amperes:	0.787	0.87	0.992	1.14	1.32	1.54	1.25

Performance Graph at 460V, 60Hz, 0.75HP Typical performance - Not guaranteed values





35F893

CUST. NAME		CUST. P.O.		CERTIFIED BY		MODEL		INSUL		AMB							
H.P.		MTG		TYPE		R.P.M.		VOLTS		ENCL		PHASE		FREQ		FRAME	
REMARKS:												<b>BALDOR ELECTRIC Co.</b>					
REV: F		CHANGED FREP															
Ω68J9Ω		SCALE: .25		BY: JKH		REVISED: 05/11/98		VERT 56C TENV 35M W/ STEARNS BRAKE (EXTERNALLY CONNECTED)									
		FILE: AAA00037663				TDR: 0149646											

35F893

CD0005

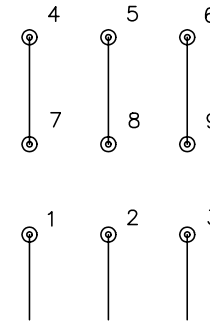


LOW VOLTAGE  
(2Y)



LINE

HIGH VOLTAGE  
(1Y)



LINE

NOTES:

1. INTERCHANGE ANY TWO LINE LEADS TO REVERSE ROTATION.
2. OPTIONAL THERMOSTATS ARE PROVIDED WHEN SPECIFIED.
3. ACTUAL NUMBER OF INTERNAL PARALLEL CIRCUITS MAY BE A MULTIPLE OF THOSE SHOWN ABOVE.
4. LEAD COLORS ARE OPTIONAL. LEADS MUST ALWAYS BE NUMBERED AS SHOWN.

REV. DESC: REVISE TO SHOW OPTIONAL COLORS			
REV. LTR: E	BY: JLP	REVISED: 01/19/99 10:15	TDR: 0171435
90000		FILE: AAA00005140	MDL: -
		MTL: -	

**BALDOR ELECTRIC Co.**

3PH, DV, 9 LEADS

CD0005