

# **BALDOR**® • **RELIANCE**

## **Product Information Packet**

# **VECP83771T-4**

**10HP,3475RPM,3PH,60HZ,215TC,0742M,TEFC,F**

Copyright © All product information within this document is subject to Baldor Electric Company copyright © protection, unless otherwise noted.

| Part Detail |       |             |       |                |          |               |            |
|-------------|-------|-------------|-------|----------------|----------|---------------|------------|
| Revision:   | C     | Status:     | PRD/A | Change #:      |          | Proprietary:  | No         |
| Type:       | AC    | Prod. Type: | 0742M | Elec. Spec:    | 07WGY930 | CD Diagram:   |            |
| Enclosure:  | TEFC  | Mfg Plant:  |       | Mech. Spec:    | 07M323   | Layout:       |            |
| Frame:      | 215TC | Mounting:   | F1    | Poles:         | 02       | Created Date: | 08-21-2012 |
| Base:       | N     | Rotation:   | R     | Insulation:    | F        | Eff. Date:    | 10-02-2012 |
| Leads:      | 3#14  | Literature: |       | Elec. Diagram: |          | Replaced By:  |            |

| Nameplate NP2162E |              |         |      |     |   |    |   |  |  |
|-------------------|--------------|---------|------|-----|---|----|---|--|--|
| CAT.NO.           | VECP83771T-4 |         |      |     |   |    |   |  |  |
| SPEC.             | 07M323Y930G1 |         |      |     |   |    |   |  |  |
| HP                | 10           | T. CODE | T3   |     |   |    |   |  |  |
| VOLTS             | 460          |         |      |     |   |    |   |  |  |
| AMP               | 11.3         |         |      |     |   |    |   |  |  |
| RPM               | 3500         |         |      |     |   |    |   |  |  |
| FRAME             | 215TC        | HZ      | 60   | PH  | 3 |    |   |  |  |
| SER.F.            | 1.15         | CODE    | H    | DES | B | CL | F |  |  |
| NEMA-NOM-EFF      | 91           | PF      | 91   |     |   |    |   |  |  |
| G.MIN.EFF         | 88.5         | CC      | 010A |     |   |    |   |  |  |
| RATING            | 40C AMB-CONT |         |      |     |   |    |   |  |  |
| DE                | 6307         | ODE     | 6307 |     |   |    |   |  |  |
| ENCL              | TEFC         | SN      |      |     |   |    |   |  |  |
|                   |              |         |      |     |   |    |   |  |  |

| Nameplate NP2113E       |              |                   |     |
|-------------------------|--------------|-------------------|-----|
| SPEC.                   | 07M323Y930G1 |                   |     |
| MOTOR WEIGHT            | 225 LBS      |                   |     |
| GREASE                  | POLYREX EM   |                   |     |
| MAX. KVAR               | N/A          |                   |     |
| # OF ROTOR BARS         | 28           | # OF STATOR SLOTS | 36  |
| BLANK                   |              |                   |     |
| HTR-VOLTS               | N/A          | HTR-AMPS          | N/A |
| MAX. SPACE HEATER TEMP. | N/A          |                   |     |

| Parts List   |  |          |
|--------------|--|----------|
| Part Number  | Description                              | Quantity |
| SA250237     | SA 07M323Y930G1                          | 1.000 EA |
| RA237093     | RA 07M323Y930G1                          | 1.000 EA |
| 36FN3000C02  | EXFN, PLASTIC, 5.25 OD, 1.175 ID         | 1.000 EA |
| HW3201A05    | 3/8-16 EYEBOLT                           | 1.000 EA |
| 09CB1002A05G | CONDUIT BOX, 1.00 N.P.T. (GRAY)          | 1.000 EA |
| RM1017       | LEAD SEPERATOR GASKET MODEL 307 1/8" THK | 1.000 EA |
| 51XW2520A12  | .25-20 X .75, TAPTITE II, HEX WSHR SLTD  | 2.000 EA |
| 11XW1032G06  | 10-32 X .38, TAPTITE II, HEX WSHR SLTD U | 1.000 EA |
| HW3001B01    | 003SS CUP WASHER, FOR #8 SCREW           | 1.000 EA |
| 10XN2520S06  | 1/4 20X3/8 HX HD CAP S.S.                | 2.000 EA |
| WD1000B16    | KPA-4C BURNDY TERMINAL                   | 2.000 EA |
| 07EP1119A02G | 206 BRG,C.I.FH,GRSR,RLF,DRAIN FITTING,IN | 1.000 EA |
| HW4601A25    | 200.O SEAL, 307 BRG, VBX,                | 1.000 EA |
| 10XN2520A26  | 1/4-20X 1 5/8 HEX HD                     | 4.000 EA |
| HW4600B44SP  | V-RING SLINGER 1.500 X 2.290 X 0.280     | 1.000 EA |
| HW4500A32    | FIT./EXT 1698-B (ALEMITE)GREASE FITTING  | 1.000 EA |
| HA4051A00    | PLASTIC CAP FOR GREASE FITTING           | 1.000 EA |
| HW4500A17    | 317400 ALEMITE GREASE RELIEF             | 1.000 EA |
| HA4010A01    | DRAIN PLUG,416 S.S.,W/ 1/4-28 THD & .076 | 1.000 EA |
| HW5100A08    | W3118-035 WVY WSHR (WB)                  | 1.000 EA |
| 37EP1314A01G | PU ENDPLATE, MACH GRAY                   | 1.000 EA |
| HW4601A25    | 200.O SEAL, 307 BRG, VBX,                | 1.000 EA |
| HW4600B44SP  | V-RING SLINGER 1.500 X 2.290 X 0.280     | 1.000 EA |
| HW4500A01    | 1641B(ALEMITE)400 UNIV, GREASE FITT      | 1.000 EA |

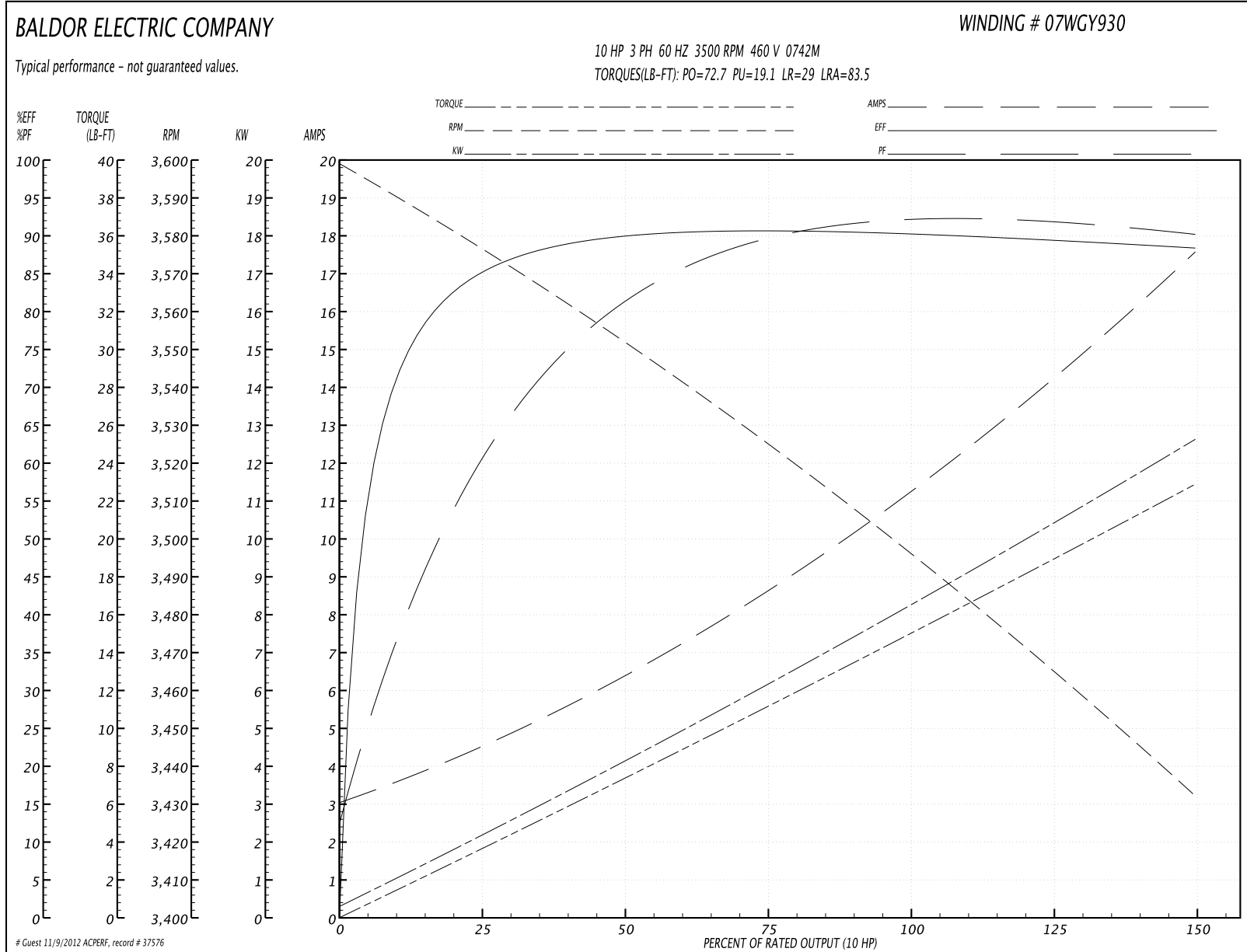
| Parts List (continued) |  |          |
|------------------------|--|----------|
| Part Number            | Description                              | Quantity |
| HA4051A00              | PLASTIC CAP FOR GREASE FITTING           | 1.000 EA |
| HW4500A17              | 317400 ALEMITE GREASE RELIEF             | 1.000 EA |
| HA4002A01              | DRAIN PLUG STAINLESS STL                 | 1.000 EA |
| 10XN2520A30            | HEX HD CAP SCREW-STD THD-.25 X 20 THD PE | 2.000 EA |
| 51XB1214A20            | 12-14X1.25 HXWSSLD SERTYB                | 1.000 EA |
| XY3118A12              | 5/16-18 HEX NUT DIRECTIONAL SERRATION    | 4.000 EA |
| 07FH1001A01G           | SPL FAN HOUSING, 307, W/GREASER, GRAY EP | 1.000 EA |
| 10XN2520A28            | 1/4-20X 1 3/4 HEX HD                     | 3.000 EA |
| WD4100A02              | DP-1000 HEYCO PLUG OR 62MP1000 MICRO PL  | 1.000 EA |
| 12CB1503A03G           | CONDUIT BOX LID, MACH (GRAY), WITH LIP   | 1.000 EA |
| 09GS1013A01            | 09 GS FOR 09CB3501 LID - BLACK NEOPRENE  | 1.000 EA |
| 10XN2520A24            | 1/4-20X 1 1/2 HEX HD X                   | 2.000 EA |
| MJ5004A59              | ADHESIVE LOCTITE #401 SURFACE INSENSITIV | 0.010 EA |
| HW2501F21              | KEY, 5/16 SQ X 2.375                     | 1.000 EA |
| HA7000A02              | KEY RETAINER RING, 1 1/8 DIA, 1 3/8 DIA  | 1.000 EA |
| MJ5001A01              | 46-665 RED SEALER                        | 0.001 QT |
| MJ1000A73              | INPRO P-80 ASSEMBLY LUB./ 1 QT. CONTAIN  | 0.001 QT |
| 85XU0407S04            | 4X1/4 U DRIVE PIN STAINLESS              | 4.000 EA |
| LB1115                 | LABEL,LIFTING DEVICE                     | 1.000 EA |
| LB1002                 | LABEL,MARINE DUTY (ON ROLLS)             | 1.000 EA |
| LT0019A00              | MOTOR NO-LOAD PERFORMANCE DATA SHEET     | 1.000 EA |
| WD1000D21              | TRM,T&B #B71M,RING,18-14,.25,NON-INSL    | 3.000 EA |
| MJ1000A75              | GREASE, POLYREX EM EXXON                 | 0.050 LB |
| HA3104A32              | THRUBOLT- 5/16-18 X12.750                | 4.000 EA |

| Parts List (continued) |  |          |
|------------------------|--|----------|
| Part Number            | Description                              | Quantity |
| 51XB1214A20            | 12-14X1.25 HXWSSLD SERTYB                | 1.000 EA |
| MG1025N19              | PAINT, 778.50 WILKO, RELIANCE ELEC GREEN | 0.036 GA |
| LB1119                 | WARNING LABEL                            | 1.000 EA |
| LB1125C02              | SUPER-E (STOCK CTN LABEL SUPER-E WITH FL | 1.000 EA |
| LC0006                 | CONNECTION LABEL                         | 1.000 EA |
| LB1357                 | ENERGY GUIDE LABEL (BOX LABEL)           | 1.000 SH |
| LB1449                 | DIV-2/NEC WARNING LABEL                  | 1.000 EA |
| NP2162E                | SS IEEEE841 DIV-2 UL CSA-C US EEV PREM   | 1.000 EA |
| NP2113E                | SS IEEEE841 AUX DATA INFORMATION SURFACE | 1.000 EA |
| 07PA1011               | PKG GRP, 07 CAST IRON PK1181             | 1.000 EA |
| 07PA1095               | PKG GRP, VER 07 CAST IRON                | 1.000 EA |

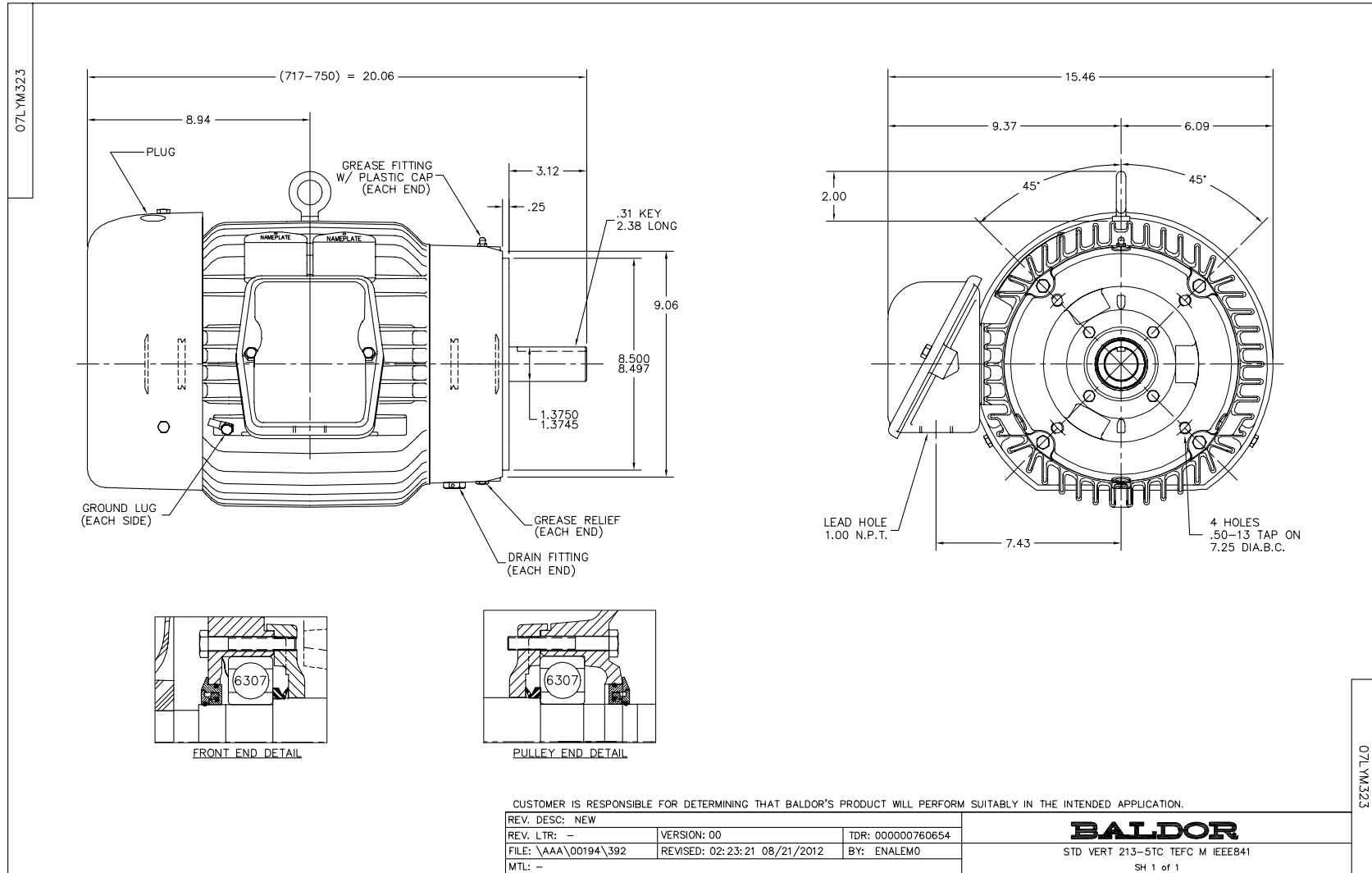
**Performance Data at 460V, 60Hz, 10.0HP (Typical performance - Not guaranteed values)**

| General Characteristics  |                                   |        |        |                      |            |        |        |
|--------------------------|-----------------------------------|--------|--------|----------------------|------------|--------|--------|
| Full Load Torque:        | 14.9 LB-FT                        |        |        | Start Configuration: | DOL        |        |        |
| No-Load Current:         | 3.27 Amps                         |        |        | Break-Down Torque:   | 72.7 LB-FT |        |        |
| Line-line Res. @ 25°C.:  | 0.80548 Ohms A Ph / 0.0 Ohms B Ph |        |        | Pull-Up Torque:      | 19.1 LB-FT |        |        |
| Temp. Rise @ Rated Load: | 64 C                              |        |        | Locked-Rotor Torque: | 29.0 LB-FT |        |        |
| Temp. Rise @ S.F. Load:  | 79 C                              |        |        | Starting Current:    | 83.5 Amps  |        |        |
| Load Characteristics     |                                   |        |        |                      |            |        |        |
| % of Rated Load          | 25                                | 50     | 75     | 100                  | 125        | 150    | S.F.   |
| Power Factor:            | 65.0                              | 83.0   | 89.0   | 91.0                 | 91.0       | 91.0   | 91.0   |
| Efficiency:              | 85.1                              | 90.0   | 90.8   | 90.5                 | 89.5       | 88.2   | 89.9   |
| Speed:                   | 3576.8                            | 3551.9 | 3525.5 | 3496.7               | 3465.8     | 3432.0 | 3478.0 |
| Line Amperes:            | 4.23                              | 6.26   | 8.65   | 11.3                 | 14.4       | 17.4   | 13.2   |

Performance Graph at 460V, 60Hz, 10.0HP Typical performance - Not guaranteed values







CD0006



NOTES:

1. THREE LEAD MOTOR MAY BE EITHER WYE CONNECTED OR DELTA CONNECTED.
2. INTERCHANGE ANY TWO LINE LEADS TO REVERSE ROTATION.
3. OPTIONAL THERMOSTATS ARE PROVIDED WHEN SPECIFIED.
4. ACTUAL NUMBER OF INTERNAL PARALLEL CIRCUITS MAY VARY.
5. LEAD COLORS ARE OPTIONAL. LEADS MUST BE NUMBERED AS SHOWN.

|   |         |                        |              |
|---|---------|------------------------|--------------|
| REV. DESC: REVISE TO SHOW OPTIONAL COLORS |         |                        |              |
| REV. LTR: D                               | BY: JLP | REVISED: 01/21/99 4:02 | TDR: 0171435 |
| 9000D                                     |         | FILE: AAA00005141      | MDL: -       |
|   |         | MTL: -                 |              |

**BALDOR ELECTRIC Co.**

3PH, SV, 3 LEADS, WYE OR DELTA CONNECTED

CD0006