

BALDOR® • ***RELIANCE***

Product Information Packet

VEJMM3546T

1HP,1760RPM,3PH,60HZ,143JM,3519M,TEFC,F1

Copyright © All product information within this document is subject to Baldor Electric Company copyright © protection, unless otherwise noted.

Part Detail							
Revision:	C	Status:	PRD/A	Change #:		Proprietary:	No
Type:	AC	Prod. Type:	3519M	Elec. Spec:	35WGM492	CD Diagram:	
Enclosure:	TEFC	Mfg Plant:		Mech. Spec:	35M317	Layout:	
Frame:	143JM	Mounting:	F1	Poles:	04	Created Date:	08-03-2010
Base:	N	Rotation:	R	Insulation:	F	Eff. Date:	06-23-2011
Leads:	9#18	Literature:		Elec. Diagram:		Replaced By:	

Nameplate NP1259L							
CAT.NO.	VEJMM3546T						
SPEC.	35M317M492G1						
HP	1						
VOLTS	208-230/460						
AMP	3.1-3/1.5						
RPM	1760						
FRAME	143JM	HZ	60	PH	3		
SER.F.	1.15	CODE	L	DES	B	CL	F
NEMA-NOM-EFF	85.5	PF	71				
RATING	40C AMB-CONT						
CC	010A	USABLE AT 208V	3.1				
DE	6206	ODE	6203				
ENCL	TEFC	SN					

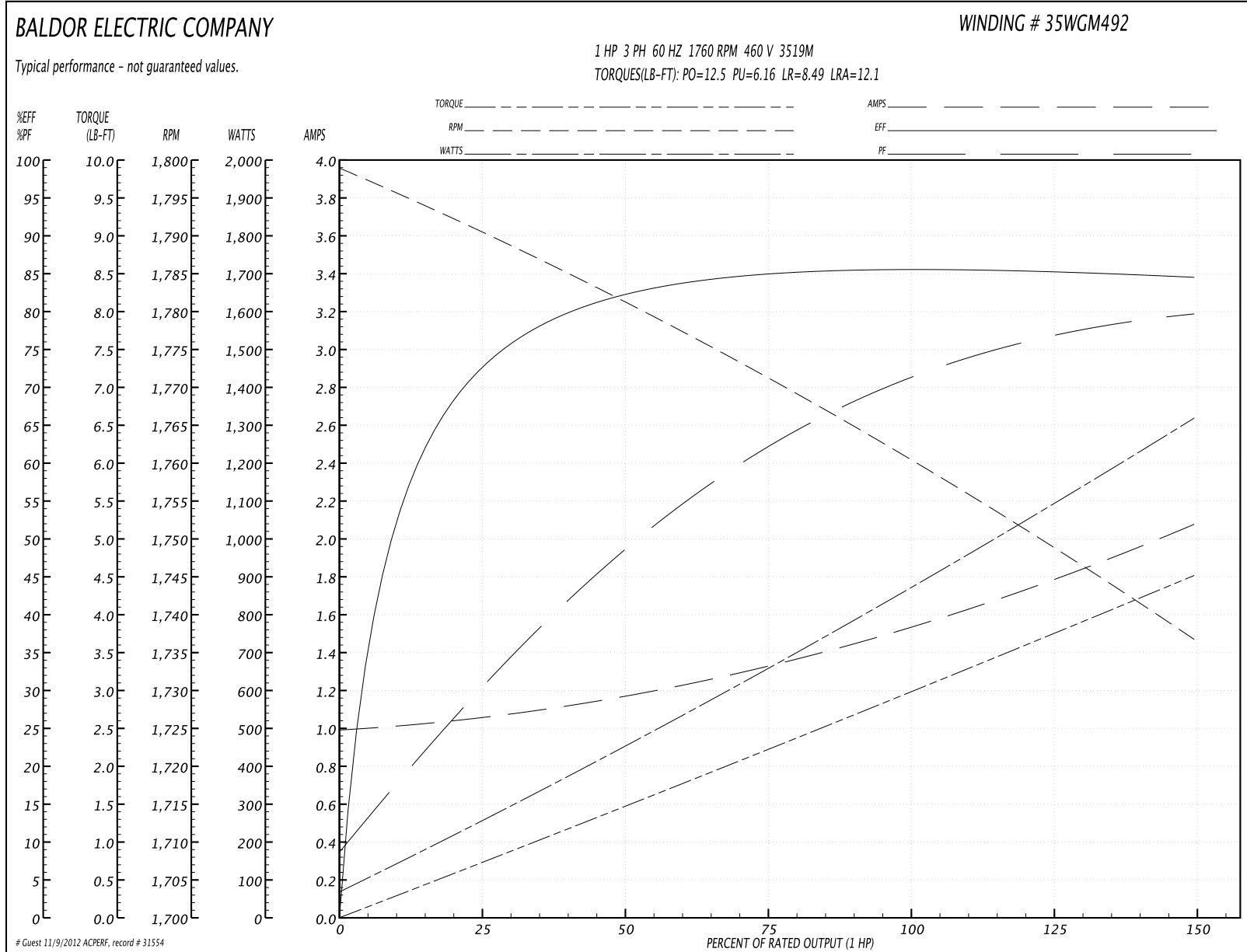
Parts List		
Part Number	Description	Quantity
SA200821	SA 35M317M492G1	1.000 EA
RA188132	RA 35M317M492G1	1.000 EA
34FN3002B01	EXTERNAL FAN, PLASTIC, .637/.639 HUB W/	1.000 EA
S/P107-000-001	SUPER E PROC'S-FS & WS PLTS-POLYREX EM G	1.000 EA
NS2512A01	INSULATOR, CONDUIT BOX X	1.000 EA
35CB3000SP	CONDUIT BOX, CAST, W/.88 DIA. LEAD HOLE	1.000 EA
36GS1000SP	GASKET-CONDUIT BOX, .06 THICK #SV-330 LE	1.000 EA
51XB1016A07	10-16 X 7/16 HXWSSLD SERTYB	2.000 EA
11XW1032G06	10-32 X .38, TAPTITE II, HEX WSHR SLTD U	1.000 EA
HW3001B01	003SS CUP WASHER, FOR #8 SCREW	1.000 EA
35EP3100M07	FREP TEFC 203BRG,GRSR,RLF(RAISED FH PADS	1.000 EA
HW4500A01	1641B(ALEMITE)400 UNIV, GREASE FITT	1.000 EA
HW4500A17	317400 ALEMITE GREASE RELIEF	1.000 EA
HW5100A03SP	WAVY WASHER (W1543-017)	1.000 EA
35EP3401T05	FACE ENCL 206 BRG W/GRS, RELIEF & TGHSLV	1.000 EA
HW4500A01	1641B(ALEMITE)400 UNIV, GREASE FITT	1.000 EA
HW4500A17	317400 ALEMITE GREASE RELIEF	1.000 EA
51XN1032A20	10-32 X 1 1/4 HX WS SL SR	2.000 EA
51XB1214A16	12-14X1.00 HXWSSLD SERTYB	1.000 EA
35FH4005A86	IEC FH W/GRSR, NO DIMPLES W/AUTOPHERETIC	1.000 EA
51XW1032A06	10-32 X .38, TAPTITE II, HEX WSHR SLTD S	3.000 EA
HA1005A02SP	SLINGER, OD 2.00, ID 1.14, 206 BRG,	1.000 EA
35CB4514	35 LIPPED CB LID	1.000 EA
36GS1001SP	GASKET, CONDUIT BOX LID, .06 THICK #SV-3	1.000 EA

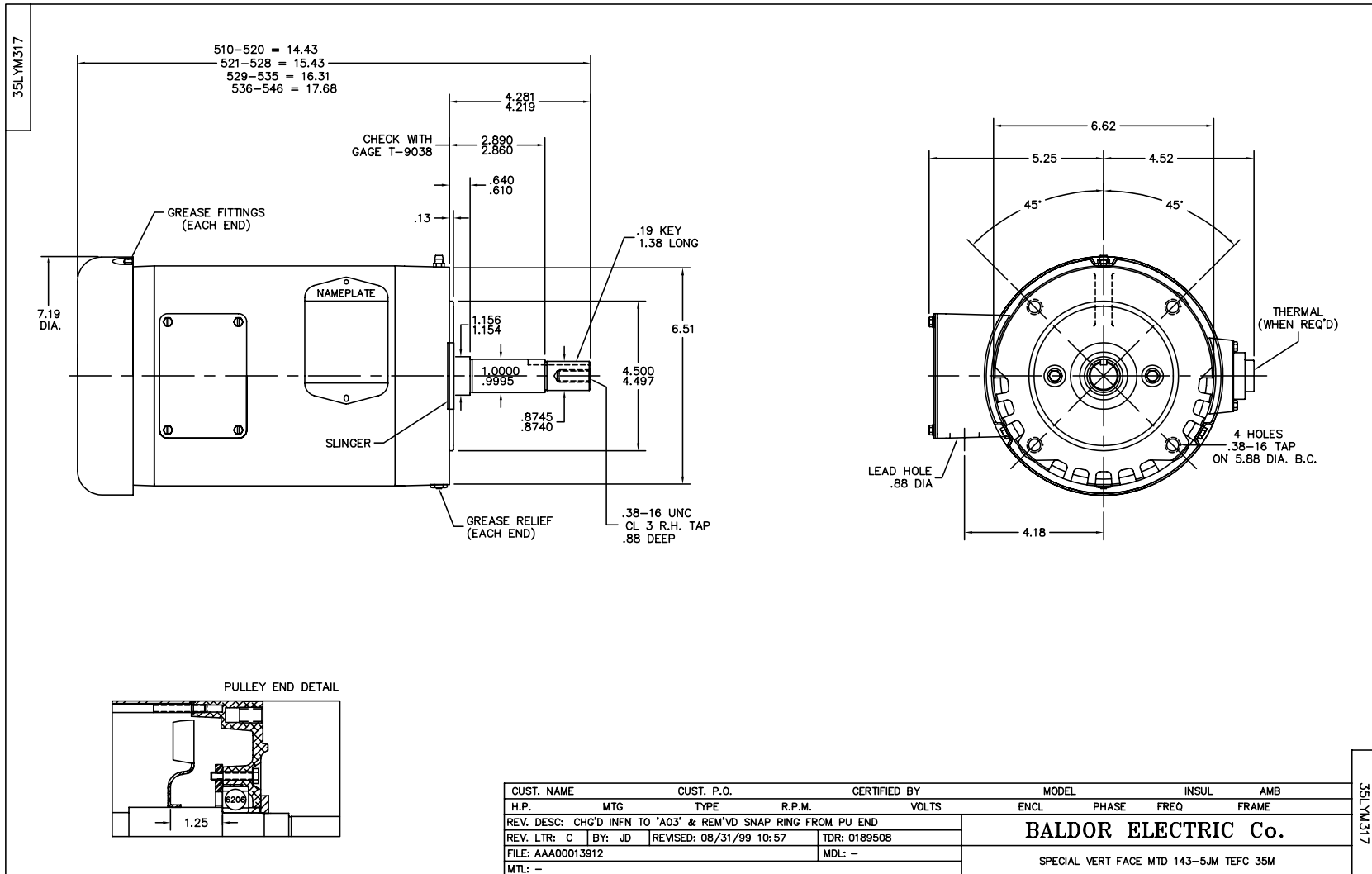
Parts List (continued)		
Part Number	Description	Quantity
51XW0832A07	8-32 X .44, TAPTITE II, HEX WSHR SLTD SE	4.000 EA
HW2501D13SP	KEY, 3/16 SQ X 1.375	1.000 EA
HA7000A01	KEY RETAINER 7/8" DIA SHAFT	1.000 EA
85XU0407S04	4X1/4 U DRIVE PIN STAINLESS	2.000 EA
MJ1000A75	GREASE, POLYREX EM EXXON	0.050 LB
HA3100A12	THRUBOLT 10-32 X 7.375	4.000 EA
MG1000Y03	WILKO 689.710 GOLD PAINT SUPER E	0.017 GA
LB1125C02	SUPER-E (STOCK CTN LABEL SUPER-E WITH FL	1.000 EA
LC0005E01	CONN.DIA./WARNING LABEL (LC0005/LB1119)	1.000 EA
LB1357	ENERGY GUIDE LABEL (BOX LABEL)	1.000 SH
NP1259L	ALUM SUPER-E UL CSA-EEV CC NEMA PREMIUM	1.000 EA
36PA1000	PACK GROUP W/LB5001	1.000 EA
PK3082	STYROFOAM CRADLE	1.000 EA

Performance Data at 460V, 60Hz, 1.0HP (Typical performance - Not guaranteed values)

General Characteristics							
Full Load Torque:	2.97 LB-FT			Start Configuration:	DOL		
No-Load Current:	1.0 Amps			Break-Down Torque:	12.5 LB-FT		
Line-line Res. @ 25°C.:	16.05 Ohms A Ph / 0.0 Ohms B Ph			Pull-Up Torque:	6.16 LB-FT		
Temp. Rise @ Rated Load:	36 C			Locked-Rotor Torque:	8.49 LB-FT		
Temp. Rise @ S.F. Load:	43 C			Starting Current:	12.1 Amps		
Load Characteristics							
% of Rated Load	25	50	75	100	125	150	S.F.
Power Factor:	31.0	49.0	62.0	71.0	77.0	80.0	75.0
Efficiency:	72.2	82.1	84.8	85.6	85.3	84.4	85.4
Speed:	1790.9	1781.2	1771.5	1760.7	1749.1	1736.6	1754.0
Line Amperes:	1.05	1.15	1.33	1.54	1.79	2.07	1.69

Performance Graph at 460V, 60Hz, 1.0HP Typical performance - Not guaranteed values





CD0005

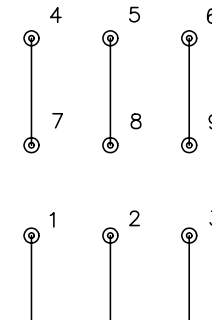


LOW VOLTAGE
(2Y)



LINE

HIGH VOLTAGE
(1Y)



LINE

NOTES:

1. INTERCHANGE ANY TWO LINE LEADS TO REVERSE ROTATION.
2. OPTIONAL THERMOSTATS ARE PROVIDED WHEN SPECIFIED.
3. ACTUAL NUMBER OF INTERNAL PARALLEL CIRCUITS MAY BE A MULTIPLE OF THOSE SHOWN ABOVE.
4. LEAD COLORS ARE OPTIONAL. LEADS MUST ALWAYS BE NUMBERED AS SHOWN.

REV. DESC: REVISE TO SHOW OPTIONAL COLORS			
REV. LTR: E	BY: JLP	REVISED: 01/19/99 10:15	TDR: 0171435
90000		FILE: AAA00005140	MDL: -
		MTL: -	

BALDOR ELECTRIC Co.

3PH, DV, 9 LEADS

CD0005