

**BALDOR® • RELIANCE** 

**Product Information Packet**

**WALKER INDUSTRIAL PRODUCTS, INC.**

**VEM2513T**

**15HP,1765RPM,3PH,60HZ,254TC,3948M,ODP,F1**

Part Detail							
Revision:	B	Status:	PRD/A	Change #:		Proprietary:	No
Type:	AC	Elec. Spec:	39WGY375	CD Diagram:	CD0180	Mfg Plant:	
Mech. Spec:	39T032	Layout:	39LYT032	Poles:	04	Created Date:	10-03-2017
Base:	N	Eff. Date:	04-29-2019	Leads:	9#10		

Specs			
Catalog Number:	VEM2513T	Heater Indicator:	No Heater
Enclosure:	ODP	Insulation Class:	F
Frame:	254TC	Inverter Code:	Inverter Ready
Frame Material:	Steel	KVA Code:	G
Output @ Frequency:	15.000 HP @ 60 HZ	Lifting Lugs:	Standard Lifting Lugs
Synchronous Speed @ Frequency:	1800 RPM @ 60 HZ	Locked Bearing Indicator:	Locked Bearing
Voltage @ Frequency:	460.0 V @ 60 HZ	Motor Lead Quantity/Wire Size:	9 @ 10 AWG
	230.0 V @ 60 HZ	Motor Lead Exit:	Ko Box
XP Class and Group:	None	Motor Lead Termination:	Flying Leads
XP Division:	Not Applicable	Motor Type:	3948M
Agency Approvals:	UR	Mounting Arrangement:	F1
	CSA EEV	Power Factor:	85
	CSA	Product Family:	General Purpose
Auxillary Box:	No Auxillary Box	Pulley End Bearing Type:	Ball
Auxillary Box Lead Termination:	None	Pulley Face Code:	C-Face
Base Indicator:	No Mounting	Pulley Shaft Indicator:	Standard
Bearing Grease Type:	Polyrex EM (-20F +300F)	Rodent Screen:	None
Blower:	None	Shaft Extension Location:	Pulley End

<b>Current @ Voltage:</b>	18.000 A @ 460.0 V	<b>Shaft Ground Indicator:</b>	No Shaft Grounding
	36.000 A @ 230.0 V	<b>Shaft Rotation:</b>	Reversible
	38.000 A @ 208.0 V	<b>Shaft Slinger Indicator:</b>	No Slinger
<b>Design Code:</b>	A	<b>Speed Code:</b>	Single Speed
<b>Drip Cover:</b>	Drip Cover	<b>Motor Standards:</b>	NEMA
<b>Duty Rating:</b>	CONT	<b>Starting Method:</b>	Direct on line
<b>Electrically Isolated Bearing:</b>	Not Electrically Isolated	<b>Thermal Device - Bearing:</b>	None
<b>Feedback Device:</b>	NO FEEDBACK	<b>Thermal Device - Winding:</b>	None
<b>Front Face Code:</b>	Drip Cover Mounting	<b>Vibration Sensor Indicator:</b>	No Vibration Sensor
<b>Front Shaft Indicator:</b>	None	<b>Winding Thermal 1:</b>	None
		<b>Winding Thermal 2:</b>	None

Nameplate NP3554LUA											
CAT.NO.	VEM2513T			P/N				ENCL	ODP		
SPEC.	39T032Y375G1		CC	010A		FRAME	254TC		SER.NO.		
HP	15		CLASS	F		HZ	60				
RPM	1765		PH	3		DES	A				
VOLTS	230/460			CODE	G		ODE BRG	6208		DE BRG	6309
AMPS	36/18			USABLE AT 208V	38						
RATING	40C AMB-CONT			NEMA-NOM-EFF	93		GREASE	POLYREX EM			
PF	85		SER.F.	1.15							
USABLE AT	50HZ 15HP 190/380V 42/21A				SF	1.0					
HTR-VOLTS			HTR-AMPS			MAX. SPACE HEATER TEMP.					

Parts List		
Part Number	Description	Quantity
SA345604	SA 39T032Y375G1	1.000 EA
RA334092	RA 39T032Y375G1	1.000 EA
HA6016	ADAPTER, CAST CONDUIT BOX	1.000 EA
09CB3000SP	CONDUIT BOX CAST	1.000 EA
51XW2520A12	.25-20 X .75, TAPTITE II, HEX WSHR SLTD	2.000 EA
HW1001A25	LOCKWASHER 1/4, ZINC PLT .493 OD, .255 I	2.000 EA
WD1000B16	T&B CX70TN TERMINAL	1.000 EA
59XW2520G07	.25-20X.44,HEX SER WSHR,TAPTITE 2,GREEN	1.000 EA
39EP3200A02	FR E P, MACH - DR CVR MTG	1.000 EA
XY3816A12	3/8-16 FINISHED NUT	4.000 EA
HW5100A08	W3118-035 WVY WSHR (WB)	1.000 EA
10XN2520K28	1/4-20 X 1.75" HX HD SCRWGRADE 5, ZINC P	4.000 EA
HW1001A25	LOCKWASHER 1/4, ZINC PLT .493 OD, .255 I	4.000 EA
39EP3400A01	STD FACE MTD ENDPLATE 309 BRG	1.000 EA
HA3154A10	THRUBOLT STUD 3/8-16 X 18.250"	4.000 EA
XY3816A12	3/8-16 FINISHED NUT	4.000 EA
39AD2002D01	BAFFLE PLATE,"X" DIM=0.31 OPEN SLOT BAND	1.000 EA
39FH4500A01	DRIP COVER, STAMPED	1.000 EA
10XN2520K16	1/4-20 X 1" HX HD SCRW GRADE 5, ZINC P	2.000 EA
HA2001B08	SPL SPACER FOR AIR DEFLECTOR .50 O.D. X	2.000 EA
09CB3500SP	CONDUIT BOX LID, CAST	1.000 EA
51XW2520A12	.25-20 X .75, TAPTITE II, HEX WSHR SLTD	2.000 EA
HW2501G25	KEY, 3/8 SQ X 2.875	1.000 EA
LB1115N	LABEL,LIFTING DEVICE (ON ROLLS)	1.000 EA

Parts List (continued)		
Part Number	Description	Quantity
PK6016	BASELESS FOOT BRACKET FOR 39 & 40 FRAME	3.000 EA
10XN5013K20	1/2-13 X 1.25 LON HEX HD SCREW SAME AS	2.000 EA
HW1000A50	1/2 SAE FLAT WASHERS	2.000 EA
XY3816A12	3/8-16 FINISHED NUT	1.000 EA
HW1001A38	LOCKWASHER 3/8, ZINC PLT .688 OD, .382 I	1.000 EA
HW4500A03	GREASE FITTING, .125 NPT 1610(ALEMITE) 8	1.000 EA
HW4500A20	1/8NPT SL PIPE PLUG	1.000 EA
HA4051A00	PLASTIC CAP FOR GREASE FITTING	1.000 EA
MJ1000A02	GREASE, MOBIL POLYREX EM - 124047	0.030 LB
HW4500A03	GREASE FITTING, .125 NPT 1610(ALEMITE) 8	1.000 EA
HW4500A20	1/8NPT SL PIPE PLUG	1.000 EA
HA4051A00	PLASTIC CAP FOR GREASE FITTING	1.000 EA
MG1000Y03	MUNSELL 2.53Y 6.70/ 4.60, GLOSS 20,	0.050 GA
85XU0407S04	4X1/4 U DRIVE PIN STAINLESS	2.000 EA
LB1119N	WARNING LABEL	1.000 EA
LC0181	CONNECTION LABEL	1.000 EA
NP3554LUA	SS SUPER-E VPWM INV READY UL CSA-EEV PRE	1.000 EA
39PA1000	PACKAGING GROUP 39 PRINT	1.000 EA
MN416A01	TAG-INSTAL-MAINT no wire (1200/bx) 3/19	1.000 EA

**AC Induction Motor Performance Data**

Record # 66605 - Typical performance - not guaranteed values

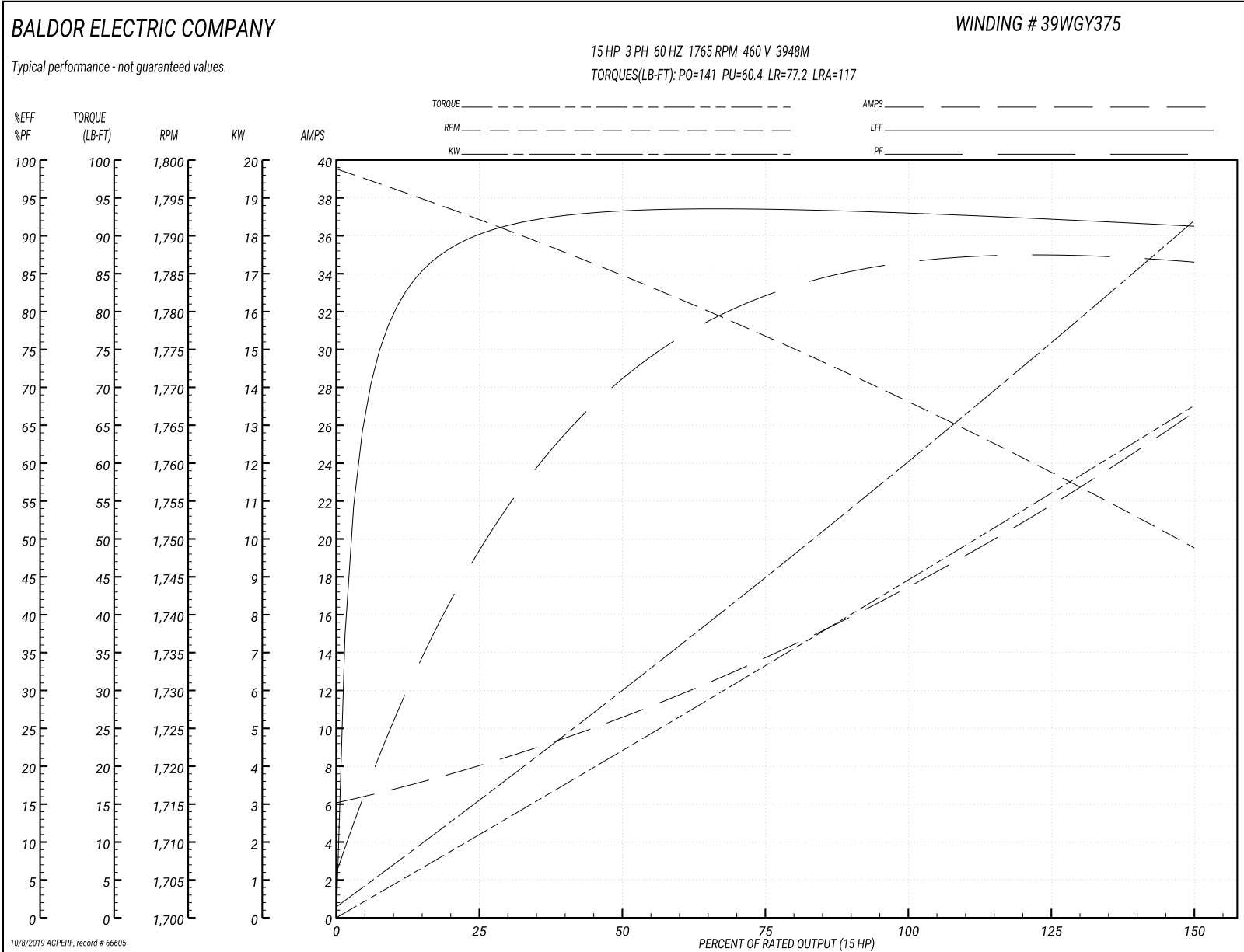
<b>Winding:</b> 39WGY375-R001	<b>Type:</b> 3948M	<b>Enclosure:</b> OPSB
-------------------------------	--------------------	------------------------

Nameplate Data				460 V, 60 Hz: High Voltage Connection	
Rated Output (HP)	15			Full Load Torque	44.53 LB-FT
Volts	230/460			Start Configuration	direct on line
Full Load Amps	36/18			Breakdown Torque	141 LB-FT
R.P.M.	1765			Pull-up Torque	60.4 LB-FT
Hz	60	Phase	3	Locked-rotor Torque	77.2 LB-FT
NEMA Design Code	A	KVA Code	G	Starting Current	117 A
Service Factor (S.F.)	1.15			No-load Current	6.37 A
NEMA Nom. Eff.	93	Power Factor	85	Line-line Res. @ 25°C	0.62591 Ω
Rating - Duty	40C AMB-CONT			Temp. Rise @ Rated Load	26°C
S.F. Amps				Temp. Rise @ S.F. Load	32°C
				Locked-rotor Power Factor	32.8

**Load Characteristics 460 V, 60 Hz, 15 HP**

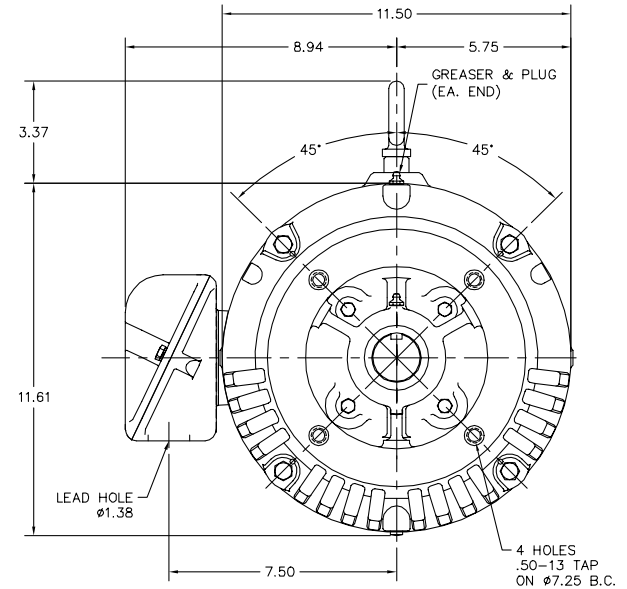
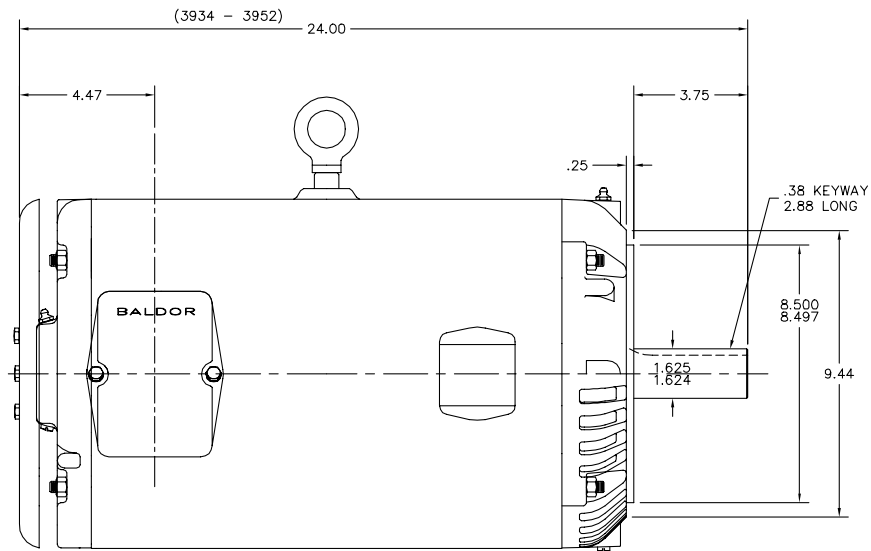
% of Rated Load	25	50	75	100	125	150	S.F.
Power Factor	51	73	81	85	87	87	86
Efficiency	89.9	93.1	93.5	93	92.3	91.2	92.6
Speed	1792	1784.7	1776.9	1768	1759.3	1748.7	1763
Line amperes	7.67	10.4	13.8	17.7	21.8	26.5	20.2

Performance Graph at 460V, 60Hz, 15.0HP Typical performance - Not guaranteed values





39LYT032



CUSTOMER IS RESPONSIBLE FOR DETERMINING THAT MOTOR PERFORMANCE IS SUITABLE IN THE APPLICATION.

REV. DESC: CORRECT V DIMENSION AND CORRECT DESCRIPTION		
REV. LTR: A	VERSION: 01	TDR: 000000421779
FILE: \AAA\00115\676	REVISED: 16:37:59 02/07/2007	BY: ENBREWO
MTL: -		

**BALDOR ELECTRIC Co.**

VERT OPEN 254-6TC W/DR CVR, SPL BAFFLE, D-BAND

39LYT032

CD0180



LOW VOLTAGE  
(2D)



HIGH VOLTAGE  
(1D)



NOTES:

1. INTERCHANGE ANY TWO LINE LEADS TO REVERSE ROTATION.
2. OPTIONAL THERMOSTATS ARE PROVIDED WHEN SPECIFIED.
3. ACTUAL NUMBER OF INTERNAL PARALLEL CIRCUITS MAY BE A MULTIPLE OF THOSE SHOWN ABOVE.
4. LEAD COLORS ARE OPTIONAL. LEADS MUST ALWAYS BE NUMBERED AS SHOWN.

CD0180

REV. DESC: ADD CLASS CONN00000007		
REV. LTR: D	VERSION: 01	TDR: 000001099922
FILE: \AAA\00005\148	REVISED: 10:25:29 02/19/2019	BY: ENBRIRO
MTL: -	© □	

**BALDOR - RELIANCE®**

3PH, DV, 9 LEADS, DELTA CONNECTION

SH 1 of 1

Marketing maintained PDF of MN416:

<http://www.baldor.com/support/Literature/Load.ashx/MN416?ManNumber=MN416>