

# **BALDOR® • RELIANCE**

## **Product Information Packet**

### **VEM3542**

**.75HP,1750RPM,3PH,60HZ,56C,3517M,TEFC,F1**

Copyright © All product information within this document is subject to Baldor Electric Company copyright © protection, unless otherwise noted.

Part Detail									
Revision:	L	Status:	PRD/A	Change #:		Proprietary:	No		
Type:	AC	Prod. Type:	3517M	Elec. Spec:	35WGP667	CD Diagram:			
Enclosure:	TEFC	Mfg Plant:		Mech. Spec:	35J302	Layout:			
Frame:	56C	Mounting:	F1	Poles:	04	Created Date:	01-15-2008		
Base:	N	Rotation:	R	Insulation:	F	Eff. Date:	07-21-2012		
Leads:	9#18	Literature:		Elec. Diagram:		Replaced By:			
Nameplate NP2116L									
CAT.NO.	VEM3542								
SPEC.	35J302P667G1								
HP	.75								
VOLTS	230/460								
AMP	2.28/1.14								
RPM	1750								
FRAME	56C	HZ	60	PH	3				
SER.F.	1.25	CODE	M	DES	B	CL	F		
NEMA-NOM-EFF	84	PF	73						
RATING	40C AMB-CONT								
CC					USABLE AT 208V	2.48			
DE	6205	ODE	6203						
ENCL	TEFC	SN							
	SFA 2.64/1.32								

Parts List		
Part Number	Description	Quantity
SA167237	SA 35J302P667G1	1.000 EA
RA155576	RA 35J302P667G1	1.000 EA
34FN3002B01	EXTERNAL FAN, PLASTIC, .637/.639 HUB W/	1.000 EA
S/P107-000-001	SUPER E PROC'S-FS & WS PLTS-POLYREX EM G	1.000 EA
NS2512A01	INSULATOR, CONDUIT BOX X	1.000 EA
35CB3007	35 CB CASTING W/.88 DIA. LEAD HOLE	1.000 EA
36GS1000SP	GASKET-CONDUIT BOX, .06 THICK #SV-330 LE	1.000 EA
51XB1016A07	10-16 X 7/16 HXWSSLD SERTYB	2.000 EA
11XW1032G06	10-32 X .38, TAPTITE II, HEX WSHR SLTD U	1.000 EA
HW3001B01	003SS CUP WASHER, FOR #8 SCREW	1.000 EA
35EP3100M02	FREP TEFC 203 BRG W/O GRSR (RAISED FH MT	1.000 EA
HW5100A03SP	WAVY WASHER (W1543-017)	1.000 EA
35EP3300A33	SPL FACE MTD EP -ENCL-205 BRG	1.000 EA
51XN1032A20	10-32 X 1 1/4 HX WS SL SR	2.000 EA
XY1032A02	10-32 HEX NUT DIRECTIONAL SERRATION	4.000 EA
51XB1214A16	12-14X1.00 HXWSSLD SERTYB	1.000 EA
35FH4005A32SP	IEC FH NO GRSR W/3 HOLES - W/AUTOPHERETI	1.000 EA
51XW1032A06	10-32 X .38, TAPTITE II, HEX WSHR SLTD S	3.000 EA
35CB4521GX	CONDUIT BOX LID KIT	1.000 EA
51XW0832A07	8-32 X .44, TAPTITE II, HEX WSHR SLTD SE	4.000 EA
HW2501D13SP	KEY, 3/16 SQ X 1.375	1.000 EA
HA7000A01	KEY RETAINER 7/8" DIA SHAFT	1.000 EA
85XU0407S04	4X1/4 U DRIVE PIN STAINLESS	2.000 EA
HW3001B01	003SS CUP WASHER, FOR #8 SCREW	1.000 EA

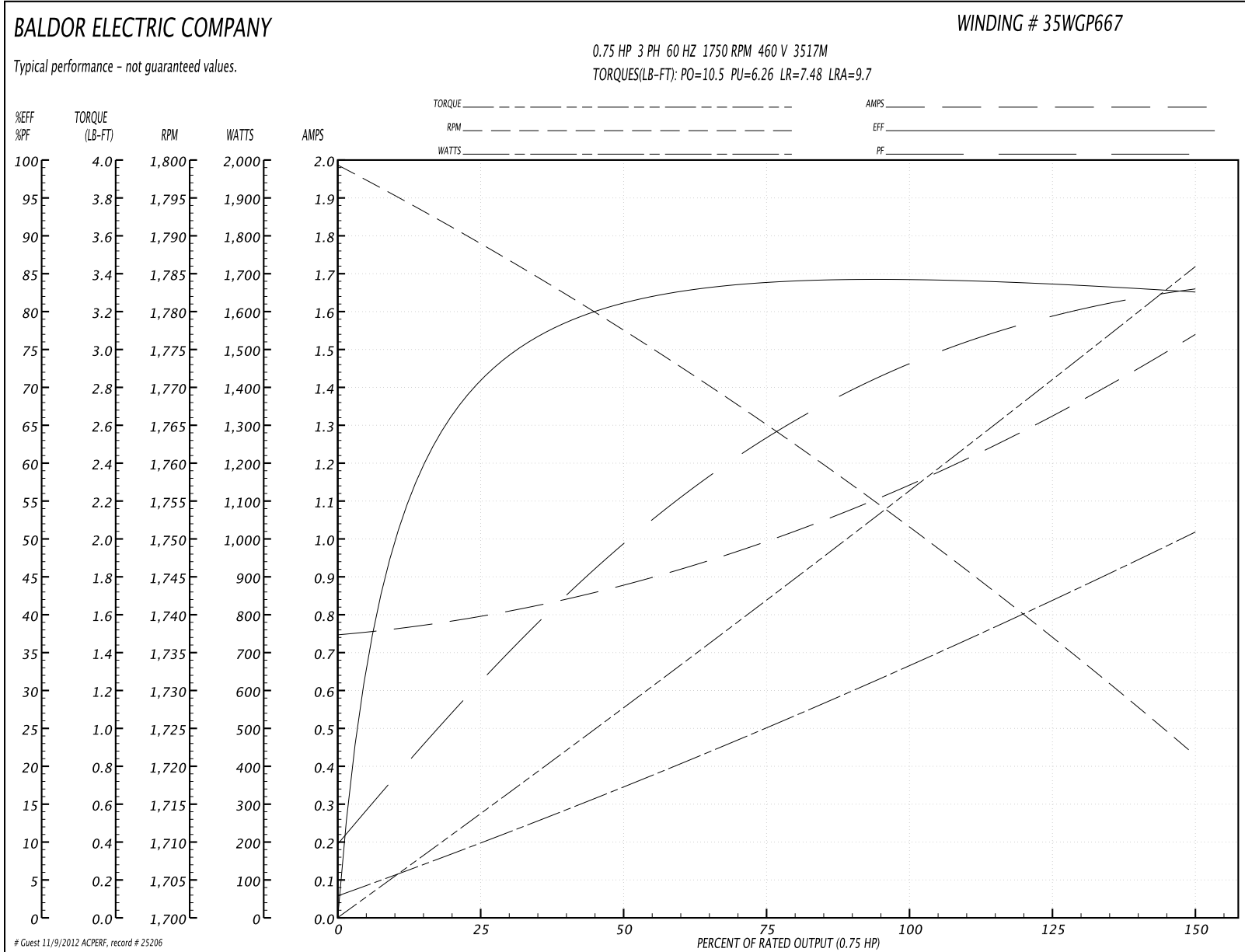
Parts List (continued)		
Part Number	Description	Quantity
MJ1000A75	GREASE, POLYREX EM EXXON	0.050 LB
MG1000Y03	WILKO 689.710 GOLD PAINT SUPER E	0.017 GA
HA3100A12	THRUBOLT 10-32 X 7.375	4.000 EA
LC0005E01	CONN.DIA./WARNING LABEL (LC0005/LB1119)	1.000 EA
LB1125C02	SUPER-E (STOCK CTN LABEL SUPER-E WITH FL	1.000 EA
LB5040	INSTRUCTION TAG, AC & DC	1.000 EA
NP2116L	ALUM SUPER-E UL CSA CC	1.000 EA
36PA1000	PACK GROUP W/LB5001	1.000 EA
PK3082	STYROFOAM CRADLE	1.000 EA

**Performance Data at 460V, 60Hz, 0.75HP (Typical performance - Not guaranteed values)**

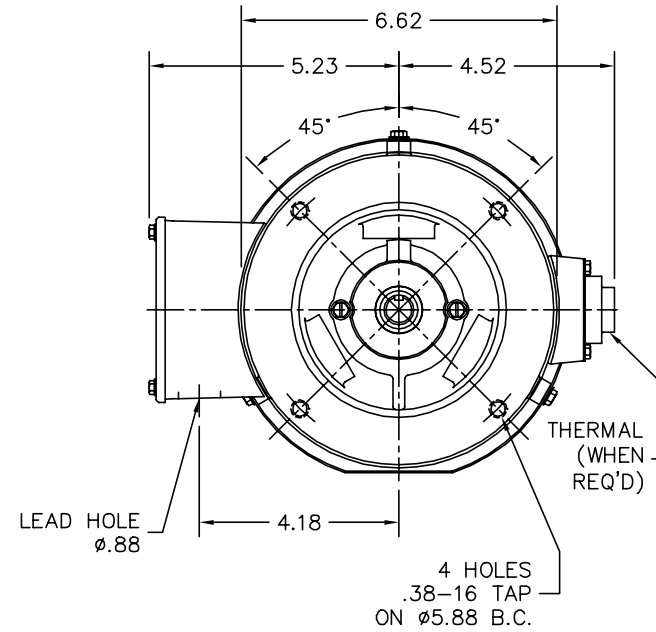
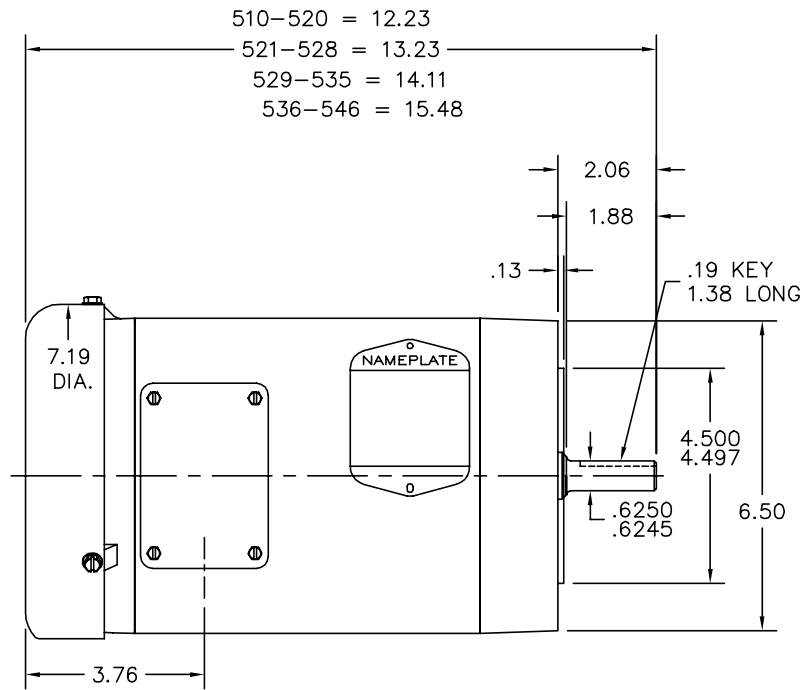
General Characteristics			
Full Load Torque:	2.22 LB-FT	Start Configuration:	DOL
No-Load Current:	0.752 Amps	Break-Down Torque:	10.5 LB-FT
Line-line Res. @ 25°C.:	23.3 Ohms A Ph / 0.0 Ohms B Ph	Pull-Up Torque:	6.26 LB-FT
Temp. Rise @ Rated Load:	30 C	Locked-Rotor Torque:	7.48 LB-FT
Temp. Rise @ S.F. Load:	39 C	Starting Current:	9.7 Amps

Load Characteristics							
% of Rated Load	25	50	75	100	125	150	S.F.
Power Factor:	32.0	50.0	64.0	73.0	80.0	83.0	80.0
Efficiency:	71.4	80.9	83.8	84.4	84.0	82.7	84.0
Speed:	1790.0	1778.0	1765.0	1752.0	1738.0	1721.0	1738.0
Line Amperes:	0.787	0.87	0.992	1.14	1.32	1.54	1.32

Performance Graph at 460V, 60Hz, 0.75HP Typical performance - Not guaranteed values



35LYJ302



CUSTOMER IS RESPONSIBLE FOR DETERMINING THAT BALDOR'S PRODUCT WILL PERFORM SUITABLY IN THE INTENDED APPLICATION.

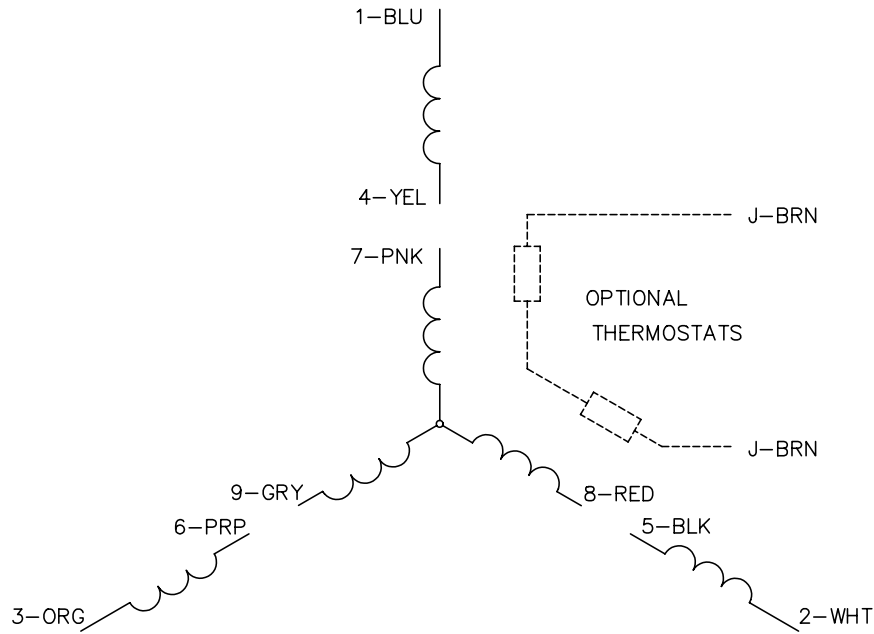
REV. DESC: UPDATE DRWG PARTS			
REV. LTR: C	VERSION: 02	TDR: 000000738205	
FILE: \AAA\00041\631		REVISED: 02:09:50 03/15/2012	
MTL: -		BY: ENBENBO	

**BALDOR**

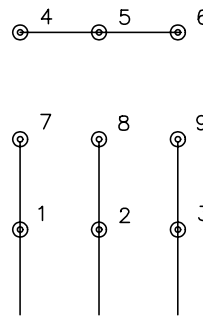
VERT 56C TEFC 35M SUPER-E  
 SH 1 of 1

35LYJ302

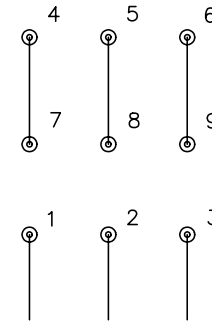
CD0005



LOW VOLTAGE  
(2Y)



HIGH VOLTAGE  
(1Y)



NOTES:

1. INTERCHANGE ANY TWO LINE LEADS TO REVERSE ROTATION.
2. OPTIONAL THERMOSTATS ARE PROVIDED WHEN SPECIFIED.
3. ACTUAL NUMBER OF INTERNAL PARALLEL CIRCUITS MAY BE A MULTIPLE OF THOSE SHOWN ABOVE.
4. LEAD COLORS ARE OPTIONAL. LEADS MUST ALWAYS BE NUMBERED AS SHOWN.

REV. DESC: REVISE TO SHOW OPTIONAL COLORS			
REV. LTR: E	BY: JLP	REVISED: 01/19/99 10:15	TDR: 0171435
90000		FILE: AAA00005140	MDL: -
		MTL: -	

**BALDOR ELECTRIC Co.**

3PH, DV, 9 LEADS

CD0005