

BALDOR® • RELIANCE

Product Information Packet

WALKER INDUSTRIAL PRODUCTS, INC.

VEM3545-5

1HP,3450RPM,3PH,60HZ,56C,3516M,TEFC,F1,N

Part Detail							
Revision:	A	Status:	PRD/A	Change #:		Proprietary:	No
Type:	AC	Prod. Type:	3516M	Elec. Spec:	35WGL509	CD Diagram:	CD0006
Enclosure:	TEFC	Mfg Plant:		Mech. Spec:	35A013	Layout:	35LYA013
Frame:	56C	Mounting:	F1	Poles:	02	Created Date:	03-01-2016
Base:	N	Rotation:	R	Insulation:	B	Eff. Date:	04-11-2016
Leads:	3#18					Replaced By:	
Literature:		Elec. Diagram:					

Nameplate NP3441L										
CAT.NO.	VEM3545-5									
SPEC.	35A013L509G1									
HP	1									
VOLTS	575									
AMP	1.1									
RPM	3450									
FRAME	56C				HZ	60			PH	3
SER.F.	1.25		CODE	K	DES	B		CL	B	
NEMA-NOM-EFF	77		PF	85						
RATING	40C AMB-CONT									
CC	010A				USABLE AT 208V					
DE	6205				ODE	6203				
ENCL	TEFC		SN							
VPWM INVERTER READY										
CT6-60H(10:1)VT3-60H(20:1)										
	SFA 1.3									

AC Induction Motor Performance Data

Record # 55694 - Typical performance - not guaranteed values

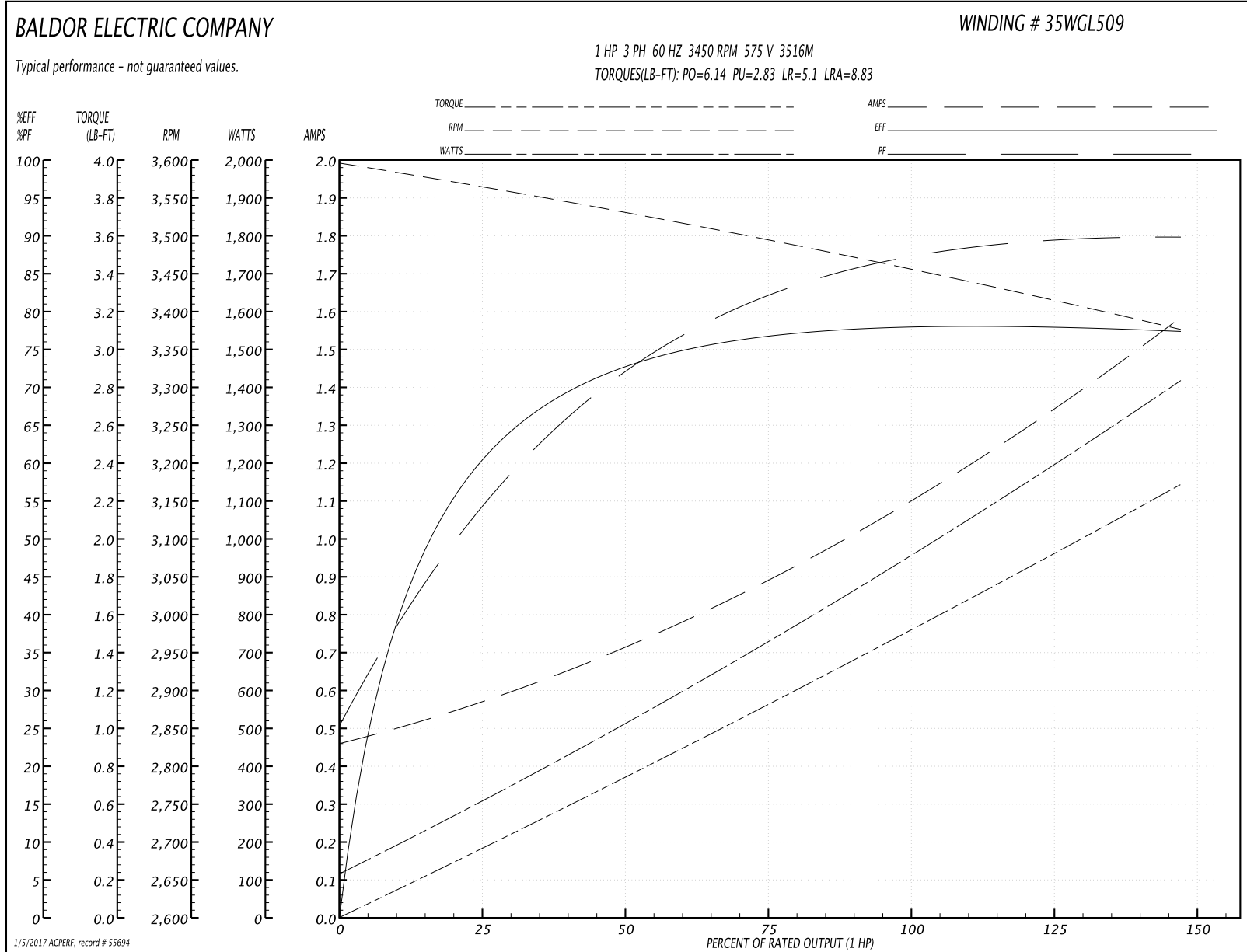
Winding: 35WGL509-R001	Type: 3516M	Enclosure: TEFC
-------------------------------	--------------------	------------------------

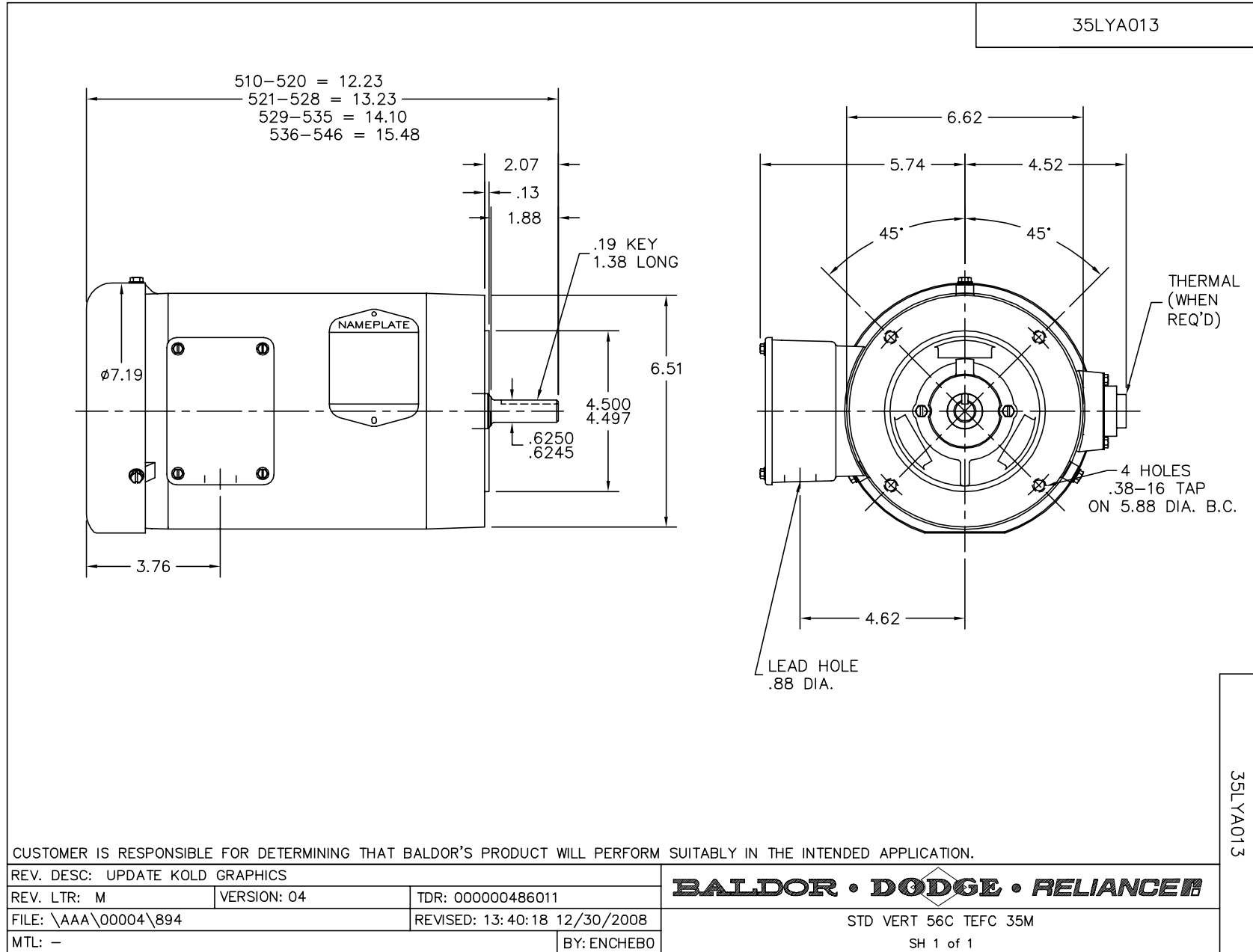
Nameplate Data				575 V, 60 Hz: Single Voltage Motor	
Rated Output (HP)	1			Full Load Torque	1.47 LB-FT
Volts	575			Start Configuration	direct on line
Full Load Amps	1.1			Breakdown Torque	6.14 LB-FT
R.P.M.	3450			Pull-up Torque	2.83 LB-FT
Hz	60	Phase	3	Locked-rotor Torque	5.1 LB-FT
NEMA Design Code	B	KVA Code	K	Starting Current	8.83 A
Service Factor (S.F.)	1.25			No-load Current	0.471 A
NEMA Nom. Eff.	77	Power Factor	85	Line-line Res. @ 25°C	24.3 Ω
Rating - Duty	40C AMB-CONT			Temp. Rise @ Rated Load	38°C
S.F. Amps	1.3			Temp. Rise @ S.F. Load	47°C
				Locked-rotor Power Factor	59.6
				Rotor inertia	0.0443 LB-FT ²

Load Characteristics 575 V, 60 Hz, 1 HP

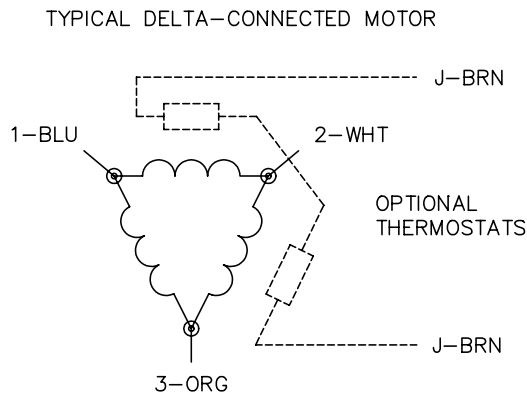
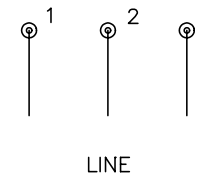
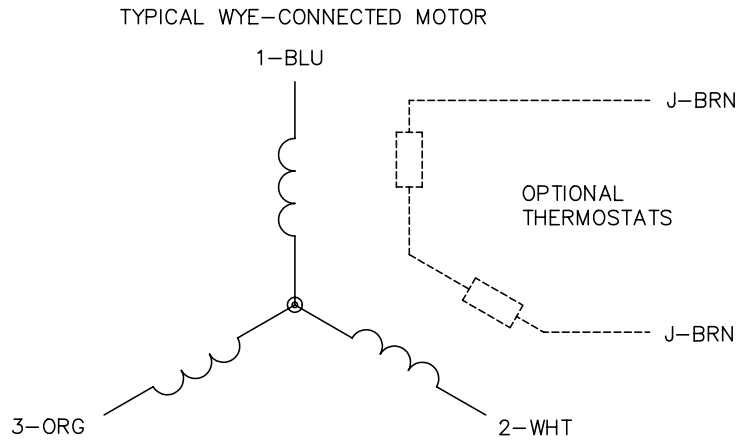
% of Rated Load	25	50	75	100	125	150	S.F.
Power Factor	54	71	81	85	89	90	89
Efficiency	57.9	71.2	76.3	78.1	78.5	77.2	78.5
Speed	3564	3534	3501	3462	3423	3374	3423
Line amperes	0.547	0.682	0.862	1.09	1.31	1.58	1.31

Performance Graph at 575V, 60Hz, 1.0HP Typical performance - Not guaranteed values





CD0006



NOTES:

1. THREE LEAD MOTOR MAY BE EITHER WYE CONNECTED OR DELTA CONNECTED.
2. INTERCHANGE ANY TWO LINE LEADS TO REVERSE ROTATION.
3. OPTIONAL THERMOSTATS ARE PROVIDED WHEN SPECIFIED.
4. ACTUAL NUMBER OF INTERNAL PARALLEL CIRCUITS MAY VARY.
5. LEAD COLORS ARE OPTIONAL. LEADS MUST BE NUMBERED AS SHOWN.

REV. DESC: REVISE TO SHOW OPTIONAL COLORS			
REV. LTR: D	BY: JLP	REVISED: 01/21/99 4:02	TDR: 0171435
9000D		FILE: AAA00005141	MDL: -
		MTL: -	

BALDOR ELECTRIC Co.

3PH, SV, 3 LEADS, WYE OR DELTA CONNECTED

CD0006