

# **BALDOR® • RELIANCE**

## **Product Information Packet**

### **VEM3550**

**1.5HP,3480RPM,3PH,60HZ,56C,3520M,TEFC,F1**

Copyright © All product information within this document is subject to Baldor Electric Company copyright © protection, unless otherwise noted.

| Part Detail       |              |             |       |                |          |               |            |  |  |
|-------------------|--------------|-------------|-------|----------------|----------|---------------|------------|--|--|
| Revision:         | C            | Status:     | PRD/A | Change #:      |          | Proprietary:  | No         |  |  |
| Type:             | AC           | Prod. Type: | 3520M | Elec. Spec:    | 35WGM760 | CD Diagram:   |            |  |  |
| Enclosure:        | TEFC         | Mfg Plant:  |       | Mech. Spec:    | 35J302   | Layout:       |            |  |  |
| Frame:            | 56C          | Mounting:   | F1    | Poles:         | 02       | Created Date: | 05-21-2010 |  |  |
| Base:             | N            | Rotation:   | R     | Insulation:    | F        | Eff. Date:    | 12-14-2011 |  |  |
| Leads:            | 9#18         | Literature: |       | Elec. Diagram: |          | Replaced By:  |            |  |  |
| Nameplate NP1259L |              |             |       |                |          |               |            |  |  |
| CAT.NO.           | VEM3550      |             |       |                |          |               |            |  |  |
| SPEC.             | 35J302M760   |             |       |                |          |               |            |  |  |
| HP                | 1.5          |             |       |                |          |               |            |  |  |
| VOLTS             | 208-230/460  |             |       |                |          |               |            |  |  |
| AMP               | 4-3.8/1.9    |             |       |                |          |               |            |  |  |
| RPM               | 3500         |             |       |                |          |               |            |  |  |
| FRAME             | 56C          | HZ          | 60    | PH             | 3        |               |            |  |  |
| SER.F.            | 1.15         | CODE        | L     | DES            | B        | CL            | F          |  |  |
| NEMA-NOM-EFF      | 84           | PF          | 85    |                |          |               |            |  |  |
| RATING            | 40C AMB-CONT |             |       |                |          |               |            |  |  |
| CC                |              |             |       | USABLE AT 208V |          |               |            |  |  |
| DE                | 6205         | ODE         | 6203  |                |          |               |            |  |  |
| ENCL              | TEFC         | SN          |       |                |          |               |            |  |  |
|                   |              |             |       |                |          |               |            |  |  |

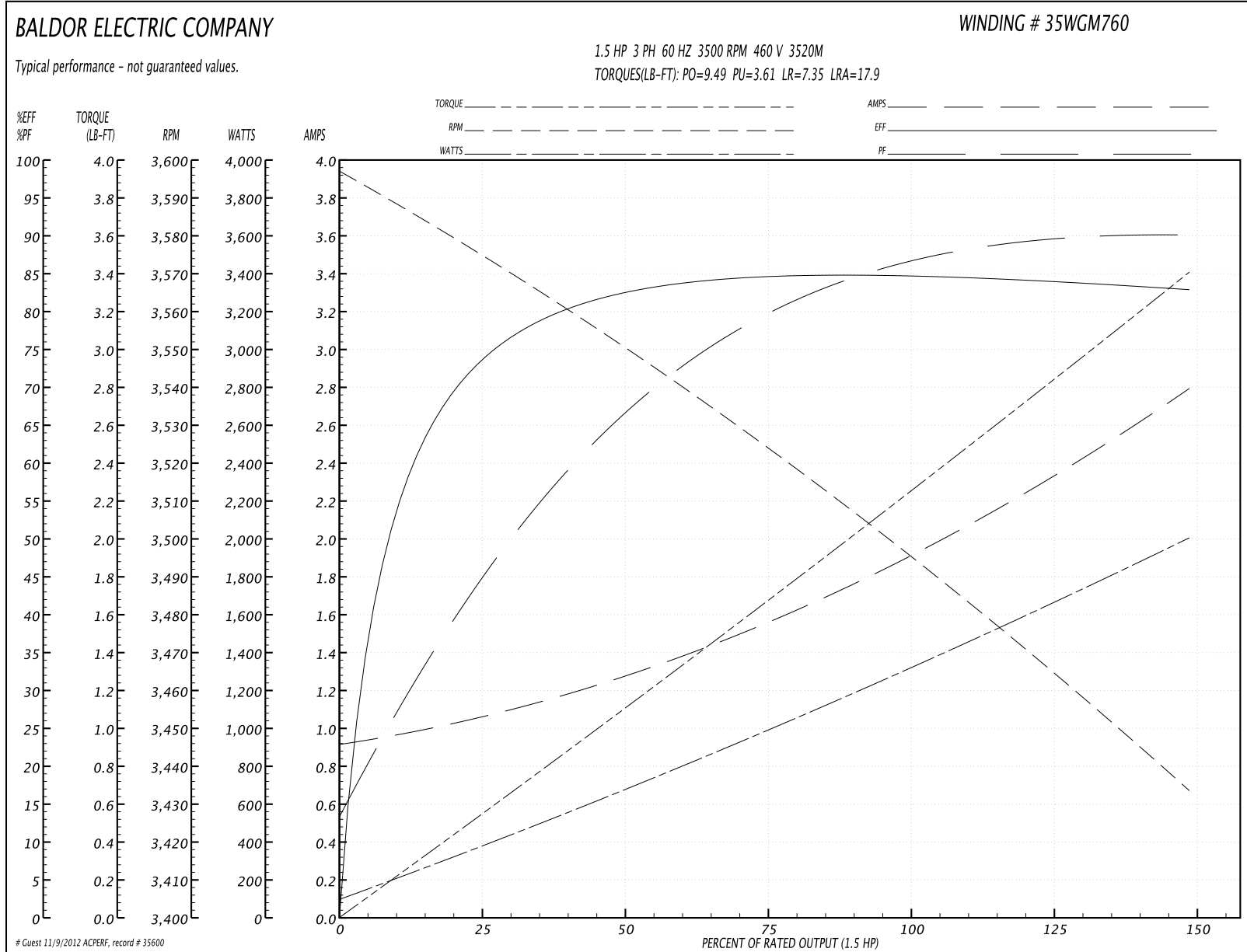
| Parts List     |  |          |
|----------------|--|----------|
| Part Number    | Description                              | Quantity |
| SA196997       | SA 35J302M760                            | 1.000 EA |
| RA184436       | RA 35J302M760                            | 1.000 EA |
| 34FN3002B01    | EXTERNAL FAN, PLASTIC, .637/.639 HUB W/  | 1.000 EA |
| S/P107-000-001 | SUPER E PROC'S-FS & WS PLTS-POLYREX EM G | 1.000 EA |
| NS2512A01      | INSULATOR, CONDUIT BOX X                 | 1.000 EA |
| 35CB3000SP     | CONDUIT BOX, CAST, W/.88 DIA. LEAD HOLE  | 1.000 EA |
| 36GS1000SP     | GASKET-CONDUIT BOX, .06 THICK #SV-330 LE | 1.000 EA |
| 51XB1016A07    | 10-16 X 7/16 HXWSSLD SERTYB              | 2.000 EA |
| 11XW1032G06    | 10-32 X .38, TAPTITE II, HEX WSHR SLTD U | 1.000 EA |
| HW3001B01      | 003SS CUP WASHER, FOR #8 SCREW           | 1.000 EA |
| MJ1000A75      | GREASE, POLYREX EM EXXON                 | 0.050 LB |
| 35EP3100M02    | FREP TEFC 203 BRG W/O GRSR (RAISED FH MT | 1.000 EA |
| HW5100A03SP    | WAVY WASHER (W1543-017)                  | 1.000 EA |
| 35EP3300A33    | SPL FACE MTD EP -ENCL-205 BRG            | 1.000 EA |
| 51XN1032A20    | 10-32 X 1 1/4 HX WS SL SR                | 2.000 EA |
| 51XB1214A16    | 12-14X1.00 HXWSSLD SERTYB                | 1.000 EA |
| 35FH4005A32SP  | IEC FH NO GRSR W/3 HOLES - W/AUTOPHERETI | 1.000 EA |
| 51XW1032A06    | 10-32 X .38, TAPTITE II, HEX WSHR SLTD S | 3.000 EA |
| 35CB4514       | 35 LIPPED CB LID                         | 1.000 EA |
| 36GS1001SP     | GASKET, CONDUIT BOX LID, .06 THICK #SV-3 | 1.000 EA |
| 51XW0832A07    | 8-32 X .44, TAPTITE II, HEX WSHR SLTD SE | 4.000 EA |
| HW2501D13SP    | KEY, 3/16 SQ X 1.375                     | 1.000 EA |
| HA7000A01      | KEY RETAINER 7/8" DIA SHAFT              | 1.000 EA |
| 85XU0407S04    | 4X1/4 U DRIVE PIN STAINLESS              | 2.000 EA |

| Parts List (continued) |  |          |
|------------------------|--|----------|
| Part Number            | Description                              | Quantity |
| MG1000Y03              | WILKO 689.710 GOLD PAINT SUPER E         | 0.017 GA |
| HA3100A12              | THRUBOLT 10-32 X 7.375                   | 4.000 EA |
| LB1125C02              | SUPER-E (STOCK CTN LABEL SUPER-E WITH FL | 1.000 EA |
| LC0005E01              | CONN.DIA./WARNING LABEL (LC0005/LB1119)  | 1.000 EA |
| NP1259L                | ALUM SUPER-E UL CSA-EEV CC NEMA PREMIUM  | 1.000 EA |
| 35PA1066               | PACKING GROUP COMBINED PRINT             | 1.000 EA |
| PK3082                 | STYROFOAM CRADLE                         | 1.000 EA |
| LB5040                 | INSTRUCTION TAG, AC & DC                 | 1.000 EA |

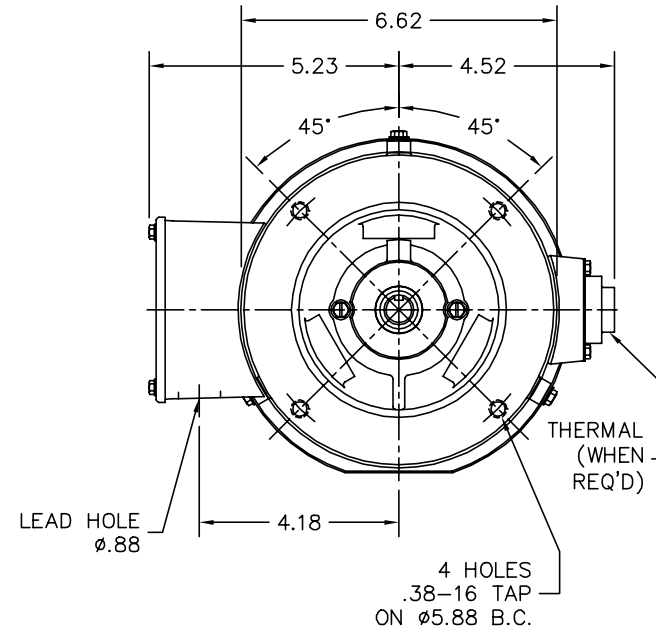
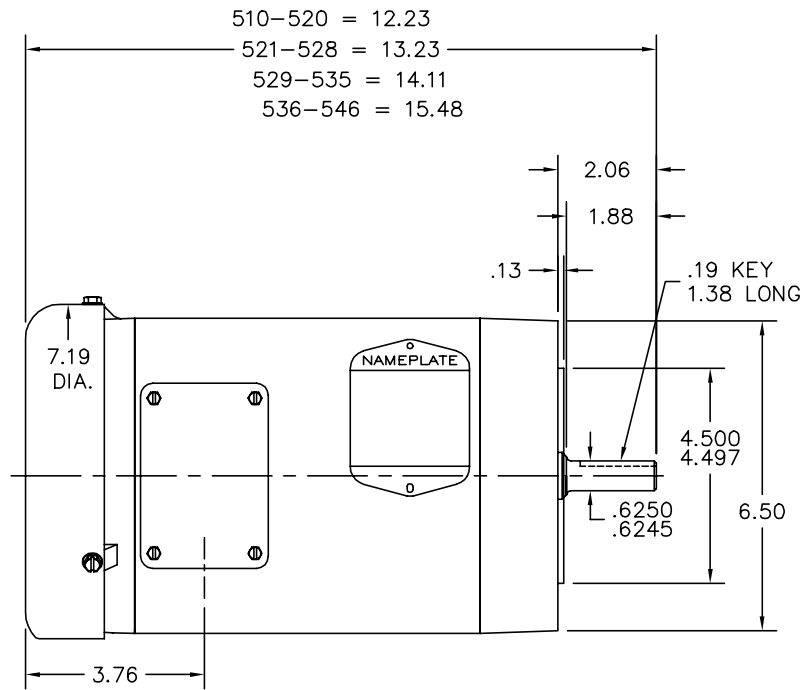
**Performance Data at 460V, 60Hz, 1.5HP (Typical performance - Not guaranteed values)**

| General Characteristics  |                                |        |        |                      |            |        |        |
|--------------------------|--------------------------------|--------|--------|----------------------|------------|--------|--------|
| Full Load Torque:        | 2.22 LB-FT                     |        |        | Start Configuration: | DOL        |        |        |
| No-Load Current:         | 0.932 Amps                     |        |        | Break-Down Torque:   | 9.49 LB-FT |        |        |
| Line-line Res. @ 25°C.:  | 12.2 Ohms A Ph / 0.0 Ohms B Ph |        |        | Pull-Up Torque:      | 3.61 LB-FT |        |        |
| Temp. Rise @ Rated Load: | 43 C                           |        |        | Locked-Rotor Torque: | 7.35 LB-FT |        |        |
| Temp. Rise @ S.F. Load:  | 50 C                           |        |        | Starting Current:    | 17.9 Amps  |        |        |
| Load Characteristics     |                                |        |        |                      |            |        |        |
| % of Rated Load          | 25                             | 50     | 75     | 100                  | 125        | 150    | S.F.   |
| Power Factor:            | 45.0                           | 67.0   | 79.0   | 85.0                 | 89.0       | 90.0   | 87.0   |
| Efficiency:              | 72.3                           | 82.2   | 84.4   | 84.8                 | 84.3       | 82.8   | 84.5   |
| Speed:                   | 3575.0                         | 3551.0 | 3526.0 | 3498.0               | 3466.0     | 3433.0 | 3479.0 |
| Line Amperes:            | 1.03                           | 1.25   | 1.55   | 1.91                 | 2.31       | 2.79   | 2.15   |

Performance Graph at 460V, 60Hz, 1.5HP Typical performance - Not guaranteed values



35LYJ302



CUSTOMER IS RESPONSIBLE FOR DETERMINING THAT BALDOR'S PRODUCT WILL PERFORM SUITABLY IN THE INTENDED APPLICATION.

|                              |                              |                   |
|------------------------------|------------------------------|-------------------|
| REV. DESC: UPDATE DRWG PARTS |                              |                   |
| REV. LTR: C                  | VERSION: 02                  | TDR: 000000738205 |
| FILE: \AAA\00041\631         | REVISED: 02:09:50 03/15/2012 |                   |
| MTL: -                       | BY: ENBENBO                  |                   |

**BALDOR**

VERT 56C TEFC 35M SUPER-E  
 SH 1 of 1

35LYJ302

CD0005

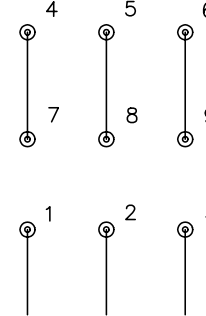


LOW VOLTAGE  
(2Y)



LINE

HIGH VOLTAGE  
(1Y)



LINE

NOTES:

1. INTERCHANGE ANY TWO LINE LEADS TO REVERSE ROTATION.
2. OPTIONAL THERMOSTATS ARE PROVIDED WHEN SPECIFIED.
3. ACTUAL NUMBER OF INTERNAL PARALLEL CIRCUITS MAY BE A MULTIPLE OF THOSE SHOWN ABOVE.
4. LEAD COLORS ARE OPTIONAL. LEADS MUST ALWAYS BE NUMBERED AS SHOWN.

|   |         |                         |              |
|---|---------|-------------------------|--------------|
| REV. DESC: REVISE TO SHOW OPTIONAL COLORS |         |                         |              |
| REV. LTR: E                               | BY: JLP | REVISED: 01/19/99 10:15 | TDR: 0171435 |
| 90000                                     |         | FILE: AAA00005140       | MDL: -       |
|   |         | MTL: -                  |              |

**BALDOR ELECTRIC Co.**

3PH, DV, 9 LEADS

CD0005