

BALDOR® • RELIANCE

Product Information Packet

VEM3554

1.5HP, 1760RPM, 3PH, 60HZ, 56C, 3526M, TEFC, F1

Copyright © All product information within this document is subject to Baldor Electric Company copyright © protection, unless otherwise noted.

Part Detail									
Revision:	E	Status:	PRD/A	Change #:		Proprietary:	No		
Type:	AC	Prod. Type:	3526M	Elec. Spec:	35WGM493	CD Diagram:			
Enclosure:	TEFC	Mfg Plant:		Mech. Spec:	35J302	Layout:			
Frame:	56C	Mounting:	F1	Poles:	04	Created Date:	09-23-2010		
Base:	N	Rotation:	R	Insulation:	F	Eff. Date:	05-31-2012		
Leads:	9#18	Literature:		Elec. Diagram:		Replaced By:			
Nameplate NP1259L									
CAT.NO.	VEM3554								
SPEC.	35J302M493G1								
HP	1.5								
VOLTS	208-230/460								
AMP	4.5-4.4/2.2								
RPM	1760								
FRAME	56C	HZ	60			PH	3		
SER.F.	1.15	CODE	L			DES	B	CL	F
NEMA-NOM-EFF	86.5	PF	73						
RATING	40C AMB-CONT								
CC					USABLE AT 208V	4.5			
DE	6205	ODE	6203						
ENCL	TEFC	SN							

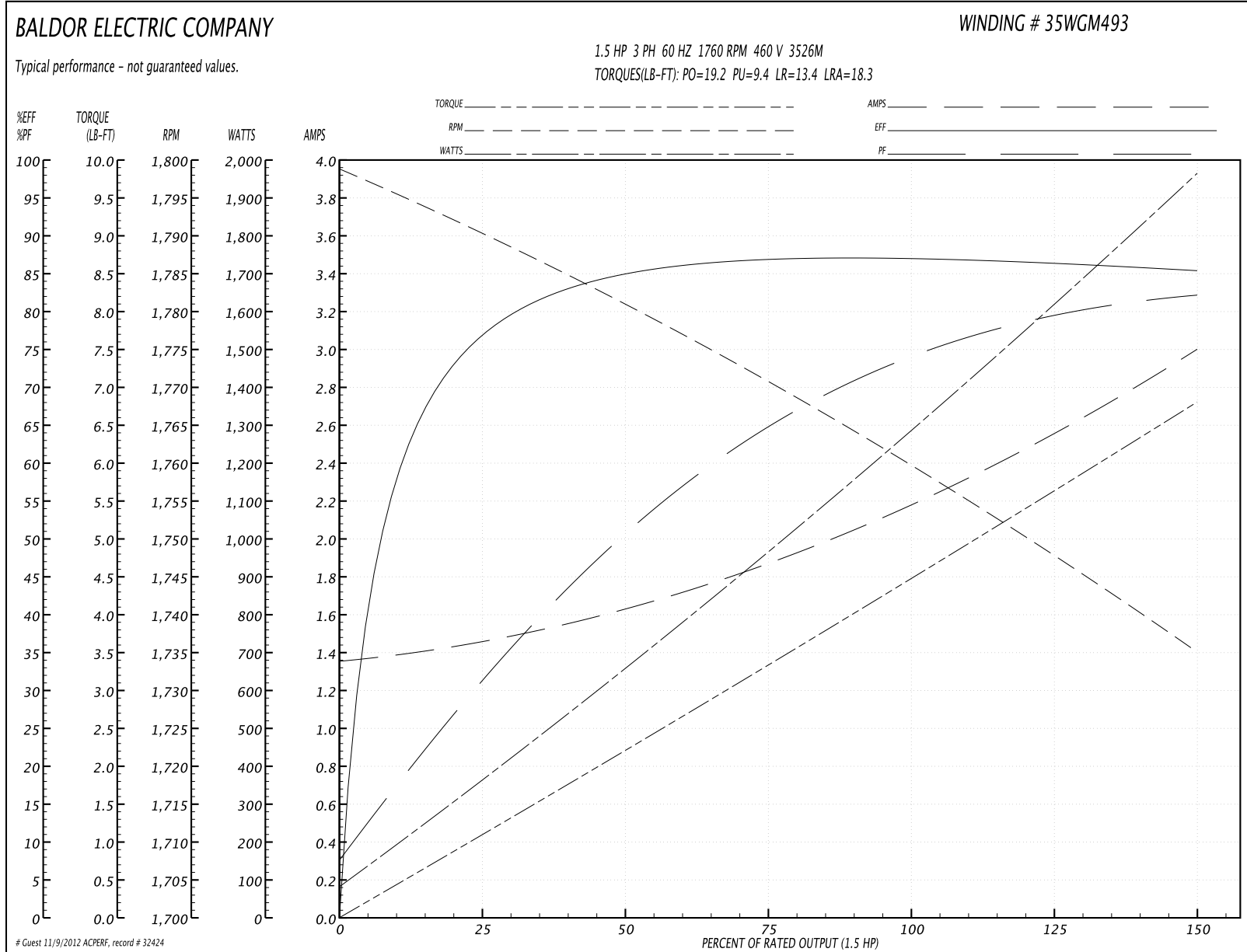
Parts List		
Part Number	Description	Quantity
SA203575	SA 35J302M493G1	1.000 EA
RA190836	RA 35J302M493G1	1.000 EA
34FN3002B01	EXTERNAL FAN, PLASTIC, .637/.639 HUB W/	1.000 EA
S/P107-000-001	SUPER E PROC'S-FS & WS PLTS-POLYREX EM G	1.000 EA
NS2512A01	INSULATOR, CONDUIT BOX X	1.000 EA
35CB3007	35 CB CASTING W/.88 DIA. LEAD HOLE	1.000 EA
36GS1000SP	GASKET-CONDUIT BOX, .06 THICK #SV-330 LE	1.000 EA
51XB1016A07	10-16 X 7/16 HXWSSLD SERTYB	2.000 EA
11XW1032G06	10-32 X .38, TAPTITE II, HEX WSHR SLTD U	1.000 EA
HW3001B01	003SS CUP WASHER, FOR #8 SCREW	1.000 EA
35EP3100M02	FREP TEFC 203 BRG W/O GRSR (RAISED FH MT	1.000 EA
HW5100A03SP	WAVY WASHER (W1543-017)	1.000 EA
35EP3300A33	SPL FACE MTD EP -ENCL-205 BRG	1.000 EA
51XN1032A20	10-32 X 1 1/4 HX WS SL SR	2.000 EA
XY1032A02	10-32 HEX NUT DIRECTIONAL SERRATION	4.000 EA
51XB1214A16	12-14X1.00 HXWSSLD SERTYB	1.000 EA
35FH4005A32SP	IEC FH NO GRSR W/3 HOLES - W/AUTOPHERETI	1.000 EA
51XW1032A06	10-32 X .38, TAPTITE II, HEX WSHR SLTD S	3.000 EA
35CB4521GX	CONDUIT BOX LID KIT	1.000 EA
51XW0832A07	8-32 X .44, TAPTITE II, HEX WSHR SLTD SE	4.000 EA
HW2501D13SP	KEY, 3/16 SQ X 1.375	1.000 EA
HA7000A01	KEY RETAINER 7/8" DIA SHAFT	1.000 EA
85XU0407S04	4X1/4 U DRIVE PIN STAINLESS	2.000 EA
HW3001B01	003SS CUP WASHER, FOR #8 SCREW	1.000 EA

Parts List (continued)		
Part Number	Description	Quantity
MJ1000A75	GREASE, POLYREX EM EXXON	0.050 LB
HA3100A15	THRUBOLT 10-32 X 8.375	4.000 EA
MG1000Y03	WILKO 689.710 GOLD PAINT SUPER E	0.017 GA
LC0005E01	CONN.DIA./WARNING LABEL (LC0005/LB1119)	1.000 EA
LB1125C02	SUPER-E (STOCK CTN LABEL SUPER-E WITH FL	1.000 EA
LB1357	ENERGY GUIDE LABEL (BOX LABEL)	1.000 SH
NP1259L	ALUM SUPER-E UL CSA-EEV CC NEMA PREMIUM	1.000 EA
35PA1066	PACKING GROUP COMBINED PRINT	1.000 EA
PK3082	STYROFOAM CRADLE	1.000 EA

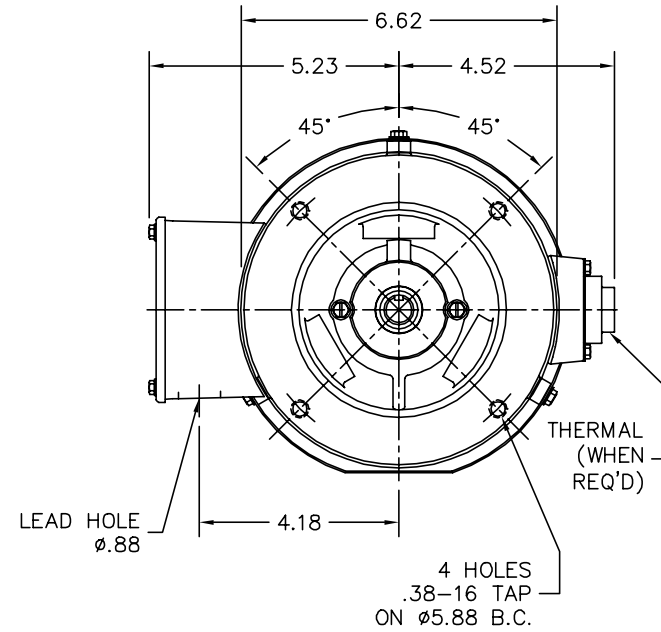
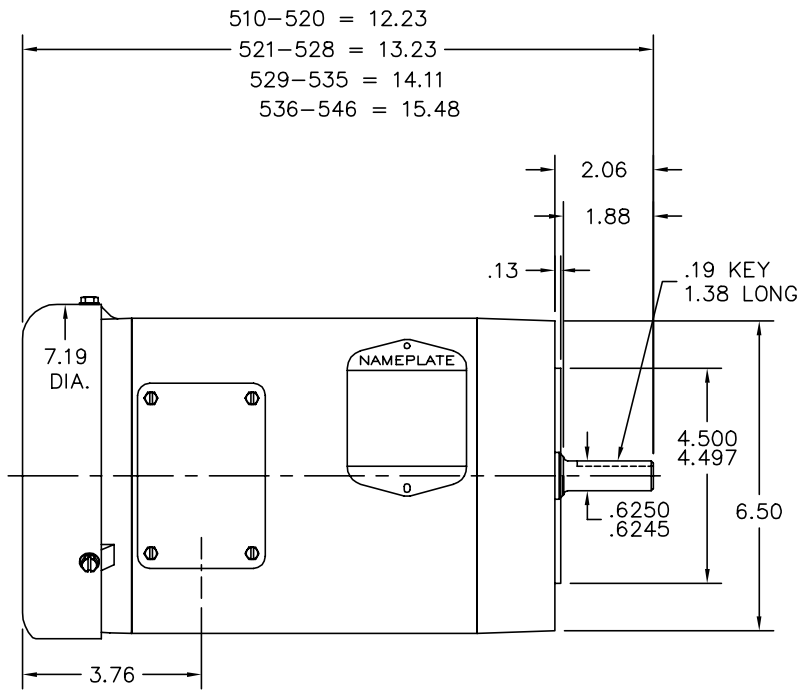
Performance Data at 460V, 60Hz, 1.5HP (Typical performance - Not guaranteed values)

General Characteristics							
Full Load Torque:	4.47 LB-FT			Start Configuration:	DOL		
No-Load Current:	1.37 Amps			Break-Down Torque:	19.2 LB-FT		
Line-line Res. @ 25°C.:	10.66 Ohms A Ph / 0.0 Ohms B Ph			Pull-Up Torque:	9.4 LB-FT		
Temp. Rise @ Rated Load:	44 C			Locked-Rotor Torque:	13.4 LB-FT		
Temp. Rise @ S.F. Load:	53 C			Starting Current:	18.3 Amps		
Load Characteristics							
% of Rated Load	25	50	75	100	125	150	S.F.
Power Factor:	31.0	51.0	65.0	73.0	79.0	83.0	77.0
Efficiency:	75.9	84.5	86.8	87.1	86.4	85.4	86.7
Speed:	1790.6	1781.1	1770.7	1760.1	1748.1	1734.9	1753.0
Line Amperes:	1.44	1.61	1.86	2.19	2.58	2.98	2.42

Performance Graph at 460V, 60Hz, 1.5HP Typical performance - Not guaranteed values



35LYJ302



CUSTOMER IS RESPONSIBLE FOR DETERMINING THAT BALDOR'S PRODUCT WILL PERFORM SUITABLY IN THE INTENDED APPLICATION.

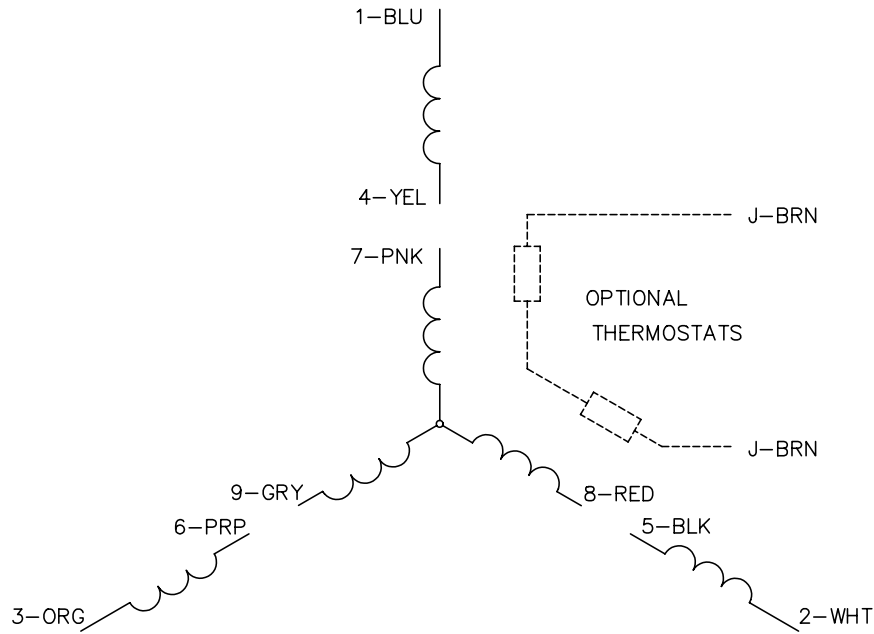
REV. DESC: UPDATE DRWG PARTS		
REV. LTR: C	VERSION: 02	TDR: 000000738205
FILE: \AAA\00041\631	REVISED: 02:09:50 03/15/2012	
MTL: -	BY: ENBENBO	

BALDOR

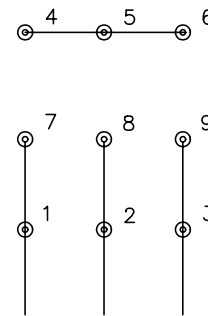
VERT 56C TEFC 35M SUPER-E
 SH 1 of 1

35LYJ302

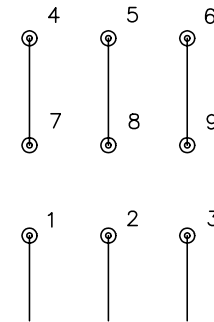
CD0005



LOW VOLTAGE
(2Y)



HIGH VOLTAGE
(1Y)



NOTES:

1. INTERCHANGE ANY TWO LINE LEADS TO REVERSE ROTATION.
2. OPTIONAL THERMOSTATS ARE PROVIDED WHEN SPECIFIED.
3. ACTUAL NUMBER OF INTERNAL PARALLEL CIRCUITS MAY BE A MULTIPLE OF THOSE SHOWN ABOVE.
4. LEAD COLORS ARE OPTIONAL. LEADS MUST ALWAYS BE NUMBERED AS SHOWN.

REV. DESC: REVISE TO SHOW OPTIONAL COLORS			
REV. LTR: E	BY: JLP	REVISED: 01/19/99 10:15	TDR: 0171435
90000		FILE: AAA00005140	MDL: -
		MTL: -	

BALDOR ELECTRIC Co.

3PH, DV, 9 LEADS

CD0005