

BALDOR® • RELIANCE

Product Information Packet

VEM3713T-5

15HP,3500RPM,3PH,60HZ,215TC,3752M,TEFC,F

Copyright © All product information within this document is subject to Baldor Electric Company copyright © protection, unless otherwise noted.

| Part Detail | | | | | | | | | |
|-------------------|--------------|----------------|-------|----------------|----------|---------------|------------|----|---|
| Revision: | - | Status: | PRD/A | Change #: | | Proprietary: | No | | |
| Type: | AC | Prod. Type: | 3752M | Elec. Spec: | 37WGR248 | CD Diagram: | | | |
| Enclosure: | TEFC | Mfg Plant: | | Mech. Spec: | 37H329 | Layout: | | | |
| Frame: | 215TC | Mounting: | F1 | Poles: | 02 | Created Date: | 03-01-2012 | | |
| Base: | N | Rotation: | R | Insulation: | F | Eff. Date: | 03-08-2012 | | |
| Leads: | 3#14 | Literature: | | Elec. Diagram: | | Replaced By: | | | |
| Nameplate NP1259L | | | | | | | | | |
| CAT.NO. | VEM3713T-5 | | | | | | | | |
| SPEC. | 37H329R248G1 | | | | | | | | |
| HP | 15 | | | | | | | | |
| VOLTS | 575 | | | | | | | | |
| AMP | 13.6 | | | | | | | | |
| RPM | 3500 | | | | | | | | |
| FRAME | 215TC | HZ | | | 60 | PH | 3 | | |
| SER.F. | 1.15 | CODE | | | J | DES | A | CL | F |
| NEMA-NOM-EFF | 91 | PF | | | 89 | | | | |
| RATING | 40C AMB-CONT | | | | | | | | |
| CC | 010A | USABLE AT 208V | | | | | | | |
| DE | 6307 | ODE | | | 6206 | | | | |
| ENCL | TEFC | SN | | | | | | | |
| | | | | | | | | | |

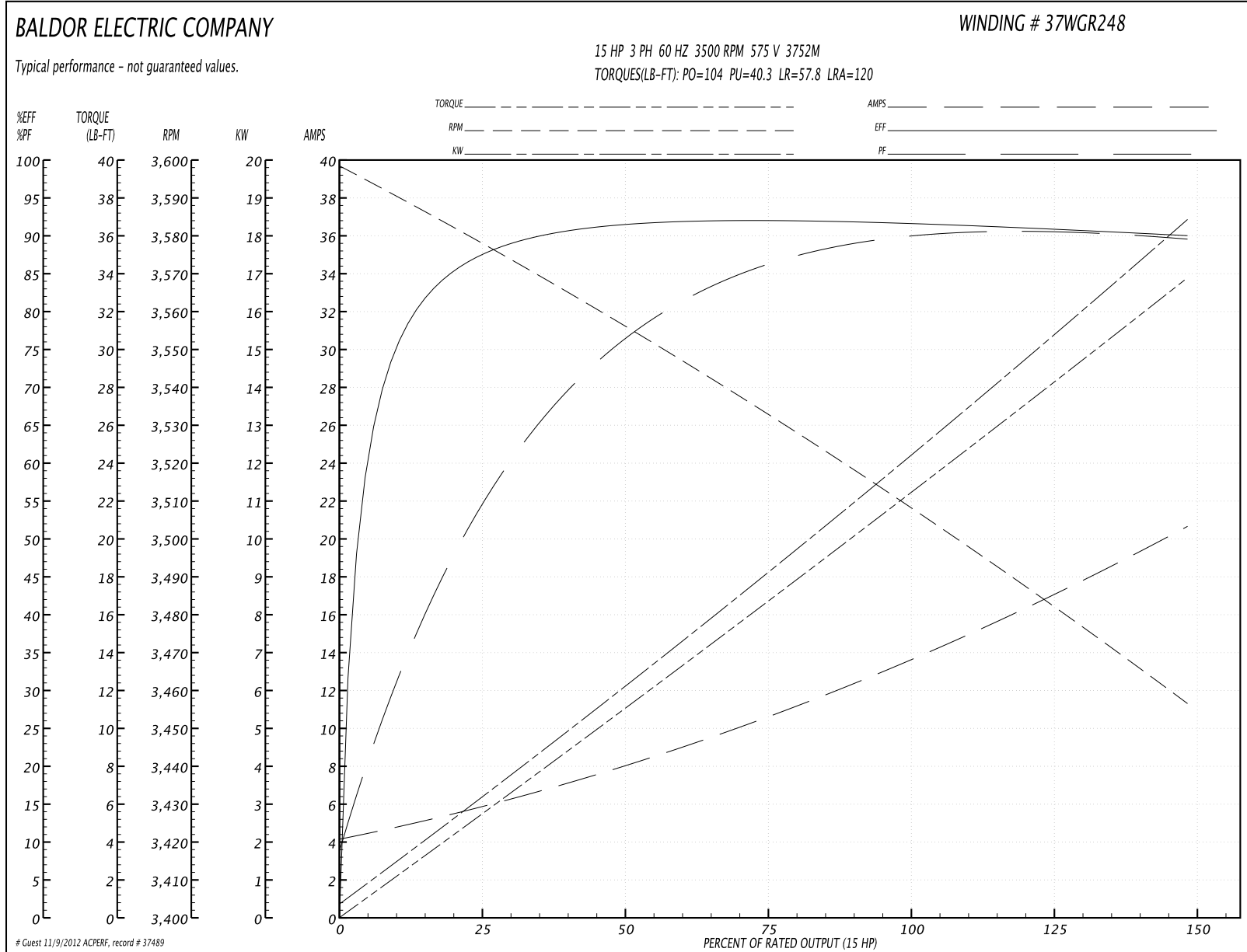
| Parts List | | |
|----------------|------------------------------------------|----------|
| Part Number | Description | Quantity |
| SA240453 | SA 37H329R248G1 | 1.000 EA |
| RA227371 | RA 37H329R248G1 | 1.000 EA |
| 37FN3002B01 | EXFN, PLASTIC, 7.50 OD, 1.155 ID | 1.000 EA |
| S/P107-000-001 | SUPER E PROC'S-FS & WS PLTS-POLYREX EM G | 1.000 EA |
| HW3200A01 | 3/8-16X3/4 I-BLT WELDED F/S | 1.000 EA |
| 37CB3006 | 37 CB CASTING W/1.38 LEAD HOLE @ 6:00 | 1.000 EA |
| 37GS1000SP | GASKET, CONDUIT BOX STD., .06 THICK LEXI | 1.000 EA |
| 51XW2520A12 | .25-20 X .75, TAPTITE II, HEX WSHR SLTD | 2.000 EA |
| 11XW1032G06 | 10-32 X .38, TAPTITE II, HEX WSHR SLTD U | 1.000 EA |
| 37EP3101A01SP | FR ENDPLATE,TEFC, 37 L&M, W/GREASER | 1.000 EA |
| HW4500A01 | 1641B(ALEMITE)400 UNIV, GREASE FITT | 1.000 EA |
| HW5100A06 | W2420-025 WVY WSHR (WB) | 1.000 EA |
| 37EP3300A01 | FACE MT ENDPLATE-ENCL-307 BRG-213TC-215T | 1.000 EA |
| HW4500A01 | 1641B(ALEMITE)400 UNIV, GREASE FITT | 1.000 EA |
| 10XN2520A30 | HEX HD CAP SCREW-STD THD-.25 X 20 THD PE | 4.000 EA |
| HW1001A25 | LOCKWASHER 1/4, ZINC PLT .493 OD, .255 I | 4.000 EA |
| XY3118A12 | 5/16-18 HEX NUT DIRECTIONAL SERRATION | 4.000 EA |
| 51XB1214A20 | 12-14X1.25 HXWSSLD SERTYB | 1.000 EA |
| 07FH4007SP | IEC FH W/GRSR, NOTCH @ 6:00 & 3 FAN CVR | 1.000 EA |
| 51XW1032A06 | 10-32 X .38, TAPTITE II, HEX WSHR SLTD S | 3.000 EA |
| 37CB4516 | LIPPED LID FOR 37 FRAME NEC KOBX | 1.000 EA |
| 37GS1008SP | 37 GS FOR CB LID - LEXIDE | 1.000 EA |
| 51XW0832A07 | 8-32 X .44, TAPTITE II, HEX WSHR SLTD SE | 4.000 EA |
| HW2501F21 | KEY, 5/16 SQ X 2.375 | 1.000 EA |

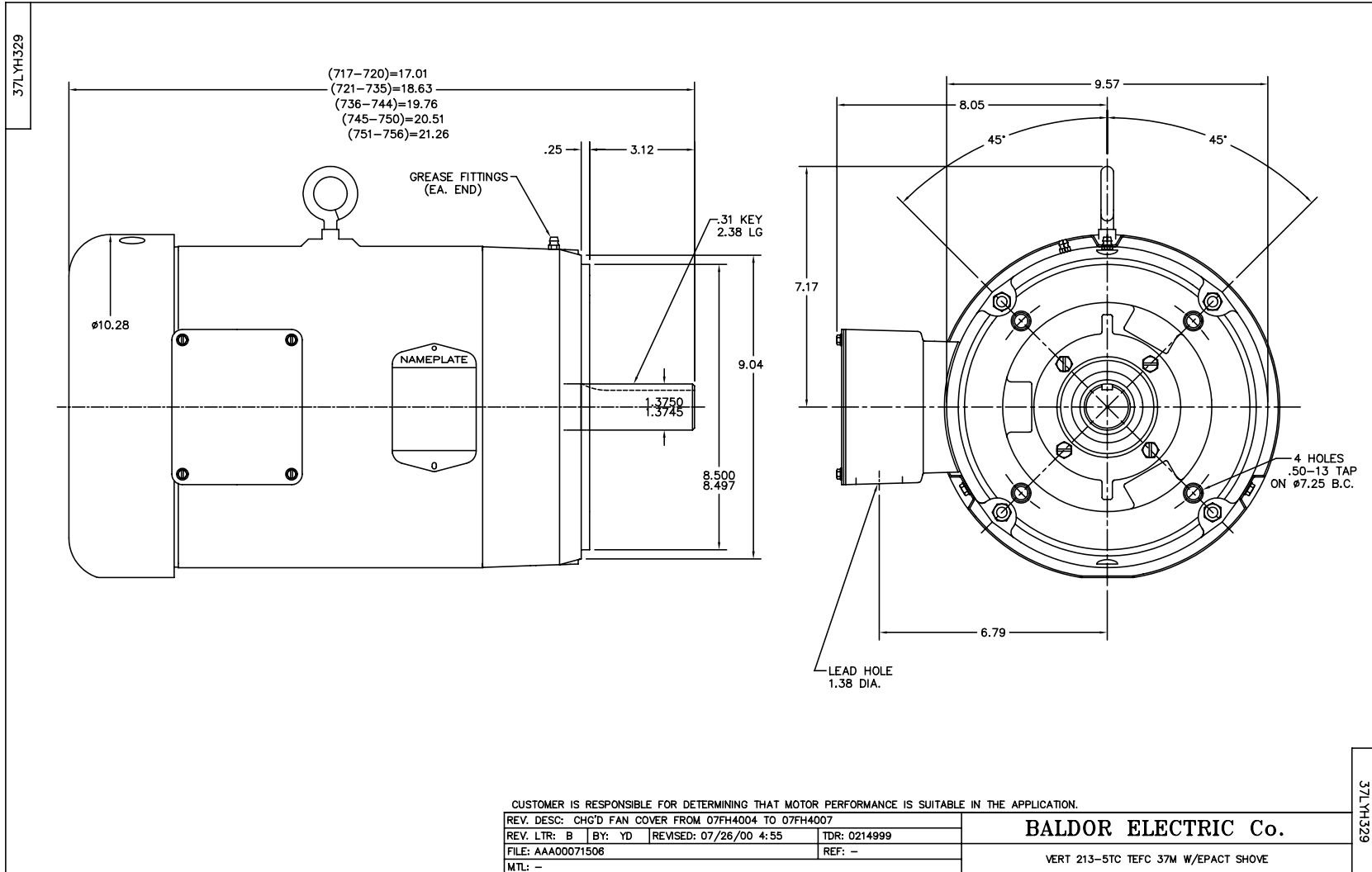
| Parts List (continued) | | |
|------------------------|------------------------------------------|----------|
| Part Number | Description | Quantity |
| HA7000A02 | KEY RETAINER RING, 1 1/8 DIA, 1 3/8 DIA | 1.000 EA |
| 85XU0407S04 | 4X1/4 U DRIVE PIN STAINLESS | 2.000 EA |
| LB1115 | LABEL,LIFTING DEVICE | 1.000 EA |
| MJ1000A75 | GREASE, POLYREX EM EXXON | 0.050 LB |
| MG1000Y03 | WILKO 689.710 GOLD PAINT SUPER E | 0.028 GA |
| HA3104A25 | THRUBOLT .31-18 X 14.75 | 4.000 EA |
| LB1119 | WARNING LABEL | 1.000 EA |
| LB1125C02 | SUPER-E (STOCK CTN LABEL SUPER-E WITH FL | 1.000 EA |
| LC0006 | CONNECTION LABEL | 1.000 EA |
| LB1357 | ENERGY GUIDE LABEL (BOX LABEL) | 1.000 SH |
| NP1259L | ALUM SUPER-E UL CSA-EEV CC NEMA PREMIUM | 1.000 EA |
| 37PA1052 | PACKAGING GROUP, 150 LB MTR 2 X 4 RUNNER | 1.000 EA |
| PK3082 | STYROFOAM CRADLE | 1.000 EA |

Performance Data at 575V, 60Hz, 15.0HP (Typical performance - Not guaranteed values)

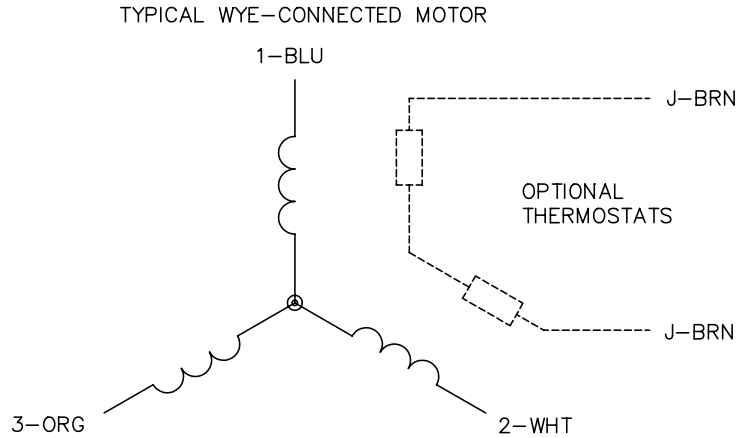
| General Characteristics | | | | | | | |
|--------------------------|---------------------------------|--------|--------|----------------------|-------------|--------|--------|
| Full Load Torque: | 22.1 LB-FT | | | Start Configuration: | DOL | | |
| No-Load Current: | 4.44 Amps | | | Break-Down Torque: | 104.0 LB-FT | | |
| Line-line Res. @ 25°C.: | 0.702 Ohms A Ph / 0.0 Ohms B Ph | | | Pull-Up Torque: | 40.3 LB-FT | | |
| Temp. Rise @ Rated Load: | 67 C | | | Locked-Rotor Torque: | 57.8 LB-FT | | |
| Temp. Rise @ S.F. Load: | 82 C | | | Starting Current: | 120.0 Amps | | |
| Load Characteristics | | | | | | | |
| % of Rated Load | 25 | 50 | 75 | 100 | 125 | 150 | S.F. |
| Power Factor: | 56.0 | 77.0 | 85.0 | 89.0 | 90.0 | 90.0 | 90.0 |
| Efficiency: | 86.8 | 91.1 | 92.0 | 91.9 | 91.0 | 90.0 | 91.4 |
| Speed: | 3579.0 | 3558.0 | 3534.0 | 3510.0 | 3485.0 | 3456.0 | 3495.0 |
| Line Amperes: | 5.36 | 7.63 | 10.6 | 13.6 | 16.9 | 20.5 | 15.6 |

Performance Graph at 575V, 60Hz, 15.0HP Typical performance - Not guaranteed values





CD0006



NOTES:

1. THREE LEAD MOTOR MAY BE EITHER WYE CONNECTED OR DELTA CONNECTED.
2. INTERCHANGE ANY TWO LINE LEADS TO REVERSE ROTATION.
3. OPTIONAL THERMOSTATS ARE PROVIDED WHEN SPECIFIED.
4. ACTUAL NUMBER OF INTERNAL PARALLEL CIRCUITS MAY VARY.
5. LEAD COLORS ARE OPTIONAL. LEADS MUST BE NUMBERED AS SHOWN.

| | | | |
|-------------------------------------------|---------|------------------------|--------------|
| REV. DESC: REVISE TO SHOW OPTIONAL COLORS | | | |
| REV. LTR: D | BY: JLP | REVISED: 01/21/99 4:02 | TDR: 0171435 |
| 9000D | | FILE: AAA00005141 | MDL: - |
| | | MTL: - | |

BALDOR ELECTRIC Co.

3PH, SV, 3 LEADS, WYE OR DELTA CONNECTED

CD0006