

BALDOR® • **RELIANCE**

Product Information Packet

VEM3770T

7.5HP, 1770RPM, 3PH, 60HZ, 213TC, 0735M, TEFC

Copyright © All product information within this document is subject to Baldor Electric Company copyright © protection, unless otherwise noted.

| Part Detail | | | | | | | | | |
|-------------------|--------------|----------------|-------|----------------|----------|---------------|------------|--|--|
| Revision: | E | Status: | PRD/A | Change #: | | Proprietary: | No | | |
| Type: | AC | Prod. Type: | 0735M | Elec. Spec: | 07WGX790 | CD Diagram: | | | |
| Enclosure: | TEFC | Mfg Plant: | | Mech. Spec: | 07G082 | Layout: | | | |
| Frame: | 213TC | Mounting: | F1 | Poles: | 04 | Created Date: | | | |
| Base: | N | Rotation: | R | Insulation: | F | Eff. Date: | 09-17-2012 | | |
| Leads: | 9#14 | Literature: | | Elec. Diagram: | | Replaced By: | | | |
| Nameplate NP1259L | | | | | | | | | |
| CAT.NO. | VEM3770T | | | | | | | | |
| SPEC. | 07G082X790 | | | | | | | | |
| HP | 7.5 | | | | | | | | |
| VOLTS | 230/460 | | | | | | | | |
| AMP | 19/9.5 | | | | | | | | |
| RPM | 1770 | | | | | | | | |
| FRAME | 213TC | HZ | 60 | PH | 3 | | | | |
| SER.F. | 1.15 | CODE | J | DES | A | CL | F | | |
| NEMA-NOM-EFF | 91.7 | PF | 81 | | | | | | |
| RATING | 40C AMB-CONT | | | | | | | | |
| CC | 010A | USABLE AT 208V | | | | | | | |
| DE | 6307 | ODE | 6206 | | | | | | |
| ENCL | TEFC | SN | | | | | | | |
| | | | | | | | | | |

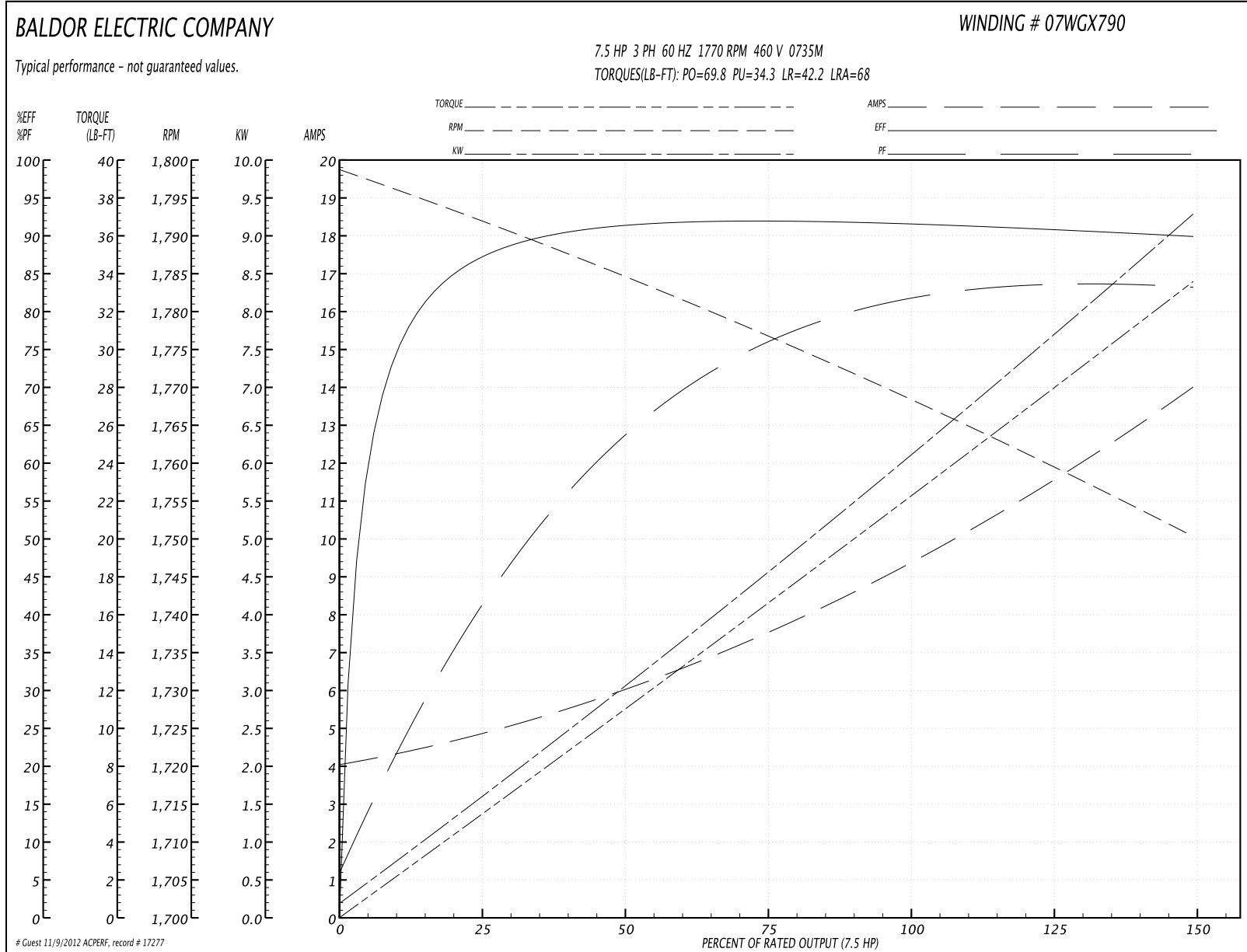
| Parts List | | |
|-------------|--|----------|
| Part Number | Description | Quantity |
| SA126208 | SA 07G082X790 | 1.000 EA |
| RA116524 | RA 07G082X790 | 1.000 EA |
| HW3201A05 | 3/8-16 EYEBOLT | 1.000 EA |
| 09CB3002SP | CB W/1.38 LEAD HOLE FOR 37, 39, 307 & 30 | 1.000 EA |
| 09GS1000SP | GASKET-CONDUIT BOX, 1/16 THICK LEXIDE | 1.000 EA |
| 51XW2520A12 | .25-20 X .75, TAPTITE II, HEX WSHR SLTD | 2.000 EA |
| WD1000B17 | KPA-8C BURNDY TERMINAL | 1.000 EA |
| 11XW1032G06 | 10-32 X .38, TAPTITE II, HEX WSHR SLTD U | 1.000 EA |
| HW3001B01 | 003SS CUP WASHER, FOR #8 SCREW | 1.000 EA |
| 37EP1100A41 | FR ENDPLATE MACH FOR GREASER & RELIEF | 1.000 EA |
| HW4500A01 | 1641B(ALEMITE)400 UNIV, GREASE FITT | 1.000 EA |
| HW5100A06 | W2420-025 WVY WSHR (WB) | 1.000 EA |
| 37EP1300A10 | FACE MTD EP,307BRG,213-5TC,GRSR,RELIEF & | 1.000 EA |
| HW4500A01 | 1641B(ALEMITE)400 UNIV, GREASE FITT | 1.000 EA |
| 10XN2520A30 | HEX HD CAP SCREW-STD THD-.25 X 20 THD PE | 4.000 EA |
| HW1001A25 | LOCKWASHER 1/4, ZINC PLT .493 OD, .255 I | 4.000 EA |
| XY3118A12 | 5/16-18 HEX NUT DIRECTIONAL SERRATION | 4.000 EA |
| 51XB1214A20 | 12-14X1.25 HXWSSLD SERTYB | 1.000 EA |
| 07FH4007SP | IEC FH W/GRSR, NOTCH @ 6:00 & 3 FAN CVR | 1.000 EA |
| 51XW1032A06 | 10-32 X .38, TAPTITE II, HEX WSHR SLTD S | 3.000 EA |
| 09CB3501SP | CONDUIT BOX LID FOR 09CB3001 & 09CB3002 | 1.000 EA |
| 09GS1013SP | 09 GS FOR 09CB3501 LID - LEXIDE | 1.000 EA |
| 51XW2520A12 | .25-20 X .75, TAPTITE II, HEX WSHR SLTD | 2.000 EA |
| HW2501F21 | KEY, 5/16 SQ X 2.375 | 1.000 EA |

| Parts List (continued) | | |
|------------------------|--|----------|
| Part Number | Description | Quantity |
| HA7000A02 | KEY RETAINER RING, 1 1/8 DIA, 1 3/8 DIA | 1.000 EA |
| 85XU0407S04 | 4X1/4 U DRIVE PIN STAINLESS | 2.000 EA |
| LB1115 | LABEL,LIFTING DEVICE | 1.000 EA |
| HW4500A17 | 317400 ALEMITE GREASE RELIEF | 1.000 EA |
| MJ1000A75 | GREASE, POLYREX EM EXXON | 0.050 LB |
| HW4500A17 | 317400 ALEMITE GREASE RELIEF | 1.000 EA |
| HA3104A32 | THRUBOLT- 5/16-18 X12.750 | 4.000 EA |
| 37FN3002C01 | EXFN, PLASTIC, 6.00 OD, 1.155 ID | 1.000 EA |
| S/P107-000-001 | SUPER E PROC'S-FS & WS PLTS-POLYREX EM G | 1.000 EA |
| MG1000Y03 | WILKO 689.710 GOLD PAINT SUPER E | 0.036 GA |
| LB1125C02 | SUPER-E (STOCK CTN LABEL SUPER-E WITH FL | 1.000 EA |
| LC0005E01 | CONN.DIA./WARNING LABEL (LC0005/LB1119) | 1.000 EA |
| NP1259L | ALUM SUPER-E UL CSA-EEV CC NEMA PREMIUM | 1.000 EA |
| 07PA1011 | PKG GRP, 07 CAST IRON PK1181 | 1.000 EA |
| 07PA1095 | PKG GRP, VER 07 CAST IRON | 1.000 EA |
| LB1357 | ENERGY GUIDE LABEL (BOX LABEL) | 1.000 SH |

Performance Data at 460V, 60Hz, 7.5HP (Typical performance - Not guaranteed values)

| General Characteristics | | | | | | | |
|--------------------------|--------------------------------|--------|--------|----------------------|------------|--------|--------|
| Full Load Torque: | 22.2 LB-FT | | | Start Configuration: | DOL | | |
| No-Load Current: | 4.18 Amps | | | Break-Down Torque: | 69.8 LB-FT | | |
| Line-line Res. @ 25°C.: | 1.43 Ohms A Ph / 0.0 Ohms B Ph | | | Pull-Up Torque: | 34.3 LB-FT | | |
| Temp. Rise @ Rated Load: | 42 C | | | Locked-Rotor Torque: | 42.2 LB-FT | | |
| Temp. Rise @ S.F. Load: | 52 C | | | Starting Current: | 68.0 Amps | | |
| Load Characteristics | | | | | | | |
| % of Rated Load | 25 | 50 | 75 | 100 | 125 | 150 | S.F. |
| Power Factor: | 43.0 | 65.0 | 76.0 | 81.0 | 83.0 | 84.0 | 82.0 |
| Efficiency: | 87.4 | 91.6 | 92.3 | 92.0 | 91.2 | 90.1 | 91.5 |
| Speed: | 1792.0 | 1784.0 | 1777.0 | 1769.0 | 1760.0 | 1750.0 | 1764.0 |
| Line Amperes: | 4.68 | 5.93 | 7.53 | 9.44 | 11.6 | 13.9 | 10.7 |

Performance Graph at 460V, 60Hz, 7.5HP Typical performance - Not guaranteed values

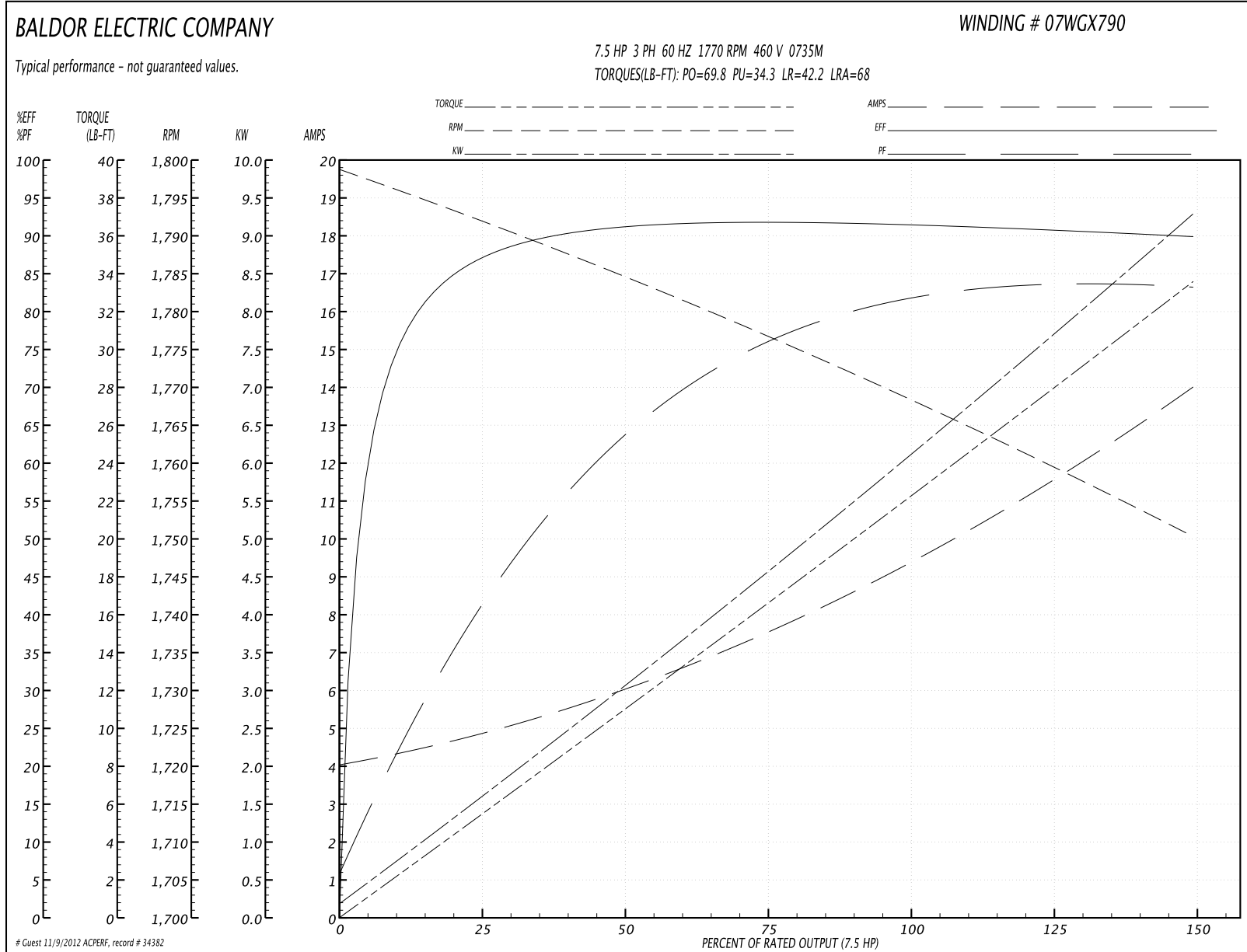


Performance Data at 460V, 60Hz, 7.5HP (Typical performance - Not guaranteed values)

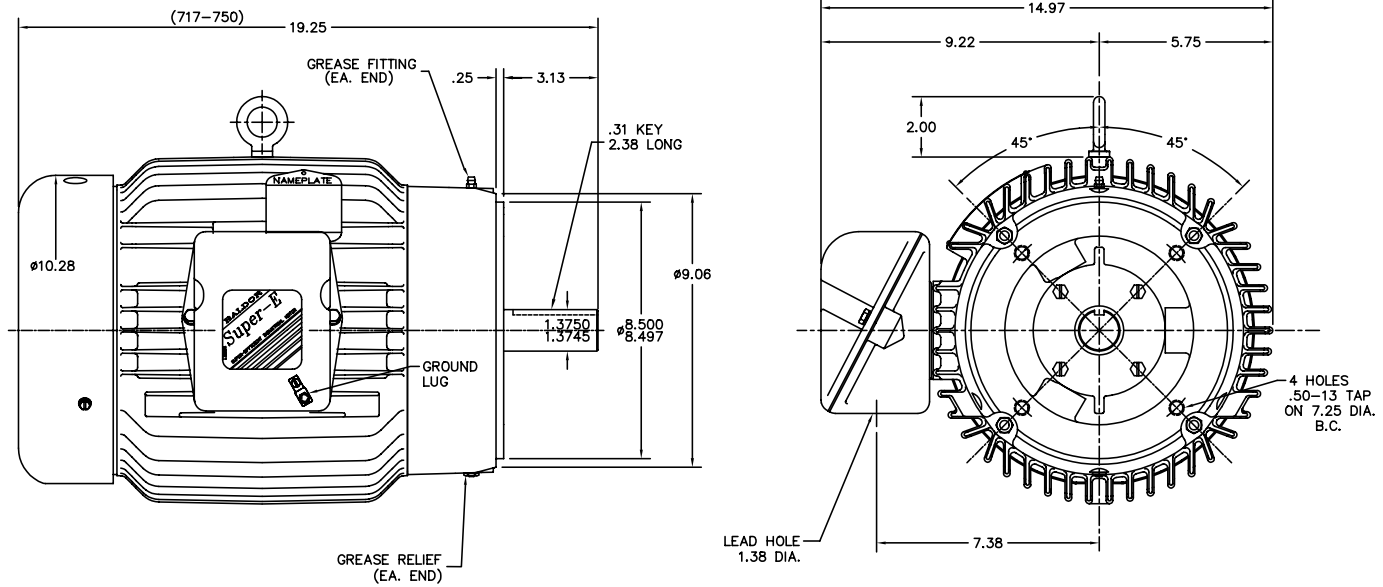
| General Characteristics | | | |
|--------------------------|--------------------------------|----------------------|------------|
| Full Load Torque: | 22.1 LB-FT | Start Configuration: | DOL |
| No-Load Current: | 4.18 Amps | Break-Down Torque: | 69.8 LB-FT |
| Line-line Res. @ 25°C.: | 1.43 Ohms A Ph / 0.0 Ohms B Ph | Pull-Up Torque: | 34.3 LB-FT |
| Temp. Rise @ Rated Load: | 42 C | Locked-Rotor Torque: | 42.2 LB-FT |
| Temp. Rise @ S.F. Load: | 52 C | Starting Current: | 68.0 Amps |

| Load Characteristics | | | | | | | |
|----------------------|--------|--------|--------|--------|--------|--------|--------|
| % of Rated Load | 25 | 50 | 75 | 100 | 125 | 150 | S.F. |
| Power Factor: | 43.0 | 65.0 | 76.0 | 81.0 | 83.0 | 84.0 | 82.0 |
| Efficiency: | 87.4 | 91.6 | 92.3 | 92.0 | 91.2 | 90.1 | 91.5 |
| Speed: | 1792.0 | 1784.0 | 1777.0 | 1769.0 | 1760.0 | 1750.0 | 1764.0 |
| Line Amperes: | 4.68 | 5.93 | 7.53 | 9.44 | 11.6 | 13.9 | 10.7 |

Performance Graph at 460V, 60Hz, 7.5HP Typical performance - Not guaranteed values



07LYG082



CUSTOMER IS RESPONSIBLE FOR DETERMINING THAT MOTOR PERFORMANCE IS SUITABLE IN THE APPLICATION.

| | | | |
|--|--------|------------------------|--------------|
| REV. DESC: CHG'D FAN COVER FROM 07FH4004 TO 07FH4007 | | | |
| REV. LTR: E | BY: YD | REVISED: 07/17/00 2:27 | TDR: 0214599 |
| FILE: AAA00011486 | | REF: - | |
| MTL: - | | | |

BALDOR ELECTRIC Co.

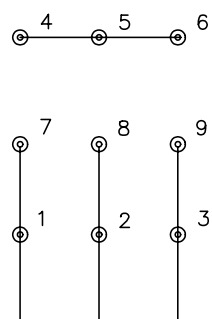
VERT TEFC 307M 213-5TC, HI-EFF

07LYG082

CD0005

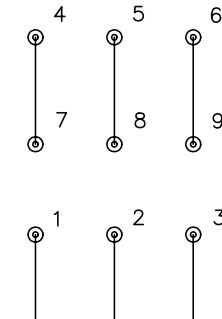


LOW VOLTAGE (2Y)



LINE

HIGH VOLTAGE (1Y)



LINE

NOTES:

1. INTERCHANGE ANY TWO LINE LEADS TO REVERSE ROTATION.
2. OPTIONAL THERMOSTATS ARE PROVIDED WHEN SPECIFIED.
3. ACTUAL NUMBER OF INTERNAL PARALLEL CIRCUITS MAY BE A MULTIPLE OF THOSE SHOWN ABOVE.
4. LEAD COLORS ARE OPTIONAL. LEADS MUST ALWAYS BE NUMBERED AS SHOWN.

| | | | |
|---|---------|-------------------------|--------------|
| REV. DESC: REVISE TO SHOW OPTIONAL COLORS | | | |
| REV. LTR: E | BY: JLP | REVISED: 01/19/99 10:15 | TDR: 0171435 |
| 90000 | | FILE: AAA00005140 | MDL: - |
| | | MTL: - | |

BALDOR ELECTRIC Co.

3PH, DV, 9 LEADS

CD0005