

BALDOR® • **RELIANCE**

Product Information Packet

VENM3581T

1HP,1745RPM,3PH,60HZ,143TC,0524M,TENV,F1

Copyright © All product information within this document is subject to Baldor Electric Company copyright © protection, unless otherwise noted.

Part Detail									
Revision:	A	Status:	PRD/A	Change #:		Proprietary:	No		
Type:	AC	Prod. Type:	0524M	Elec. Spec:	05WGX129	CD Diagram:			
Enclosure:	TENV	Mfg Plant:		Mech. Spec:	05E124	Layout:			
Frame:	143TC	Mounting:	F1	Poles:	04	Created Date:	08-11-2010		
Base:	N	Rotation:	R	Insulation:	F	Eff. Date:	02-24-2011		
Leads:	9#18	Literature:		Elec. Diagram:		Replaced By:			
Nameplate NP1259L									
CAT.NO.	VENM3581T								
SPEC.	05E124X129G1								
HP	1								
VOLTS	208-230/460								
AMP	3-2.9/1.45								
RPM	1745								
FRAME	143TC	HZ	60	PH	3				
SER.F.	1.15	CODE	M	DES	B	CL	F		
NEMA-NOM-EFF	85.5	PF	76						
RATING	40C AMB-CONT								
CC					USABLE AT 208V				
DE	6205	ODE	6203						
ENCL	TENV	SN							

Parts List		
Part Number	Description	Quantity
SA201294	SA 05E124X129G1	1.000 EA
RA188595	RA 05E124X129G1	1.000 EA
S/P107-000-001	SUPER E PROC'S-FS & WS PLTS-POLYREX EM G	1.000 EA
06CB1000A03	CONDUIT BOX, MACH	1.000 EA
06GS1000	GASKET, CONDUIT BOX	1.000 EA
51XW2520A12	.25-20 X .75, TAPTITE II, HEX WSHR SLTD	2.000 EA
11XW1032G06	10-32 X .38, TAPTITE II, HEX WSHR SLTD U	1.000 EA
HW3001B01	003SS CUP WASHER, FOR #8 SCREW	1.000 EA
35EP1100A14	FRONT ENDPLATE TENV 35 FRAME W/GREASER	1.000 EA
HW4500A01	1641B(ALEMITE)400 UNIV, GREASE FITT	1.000 EA
HW5100A03SP	WAVY WASHER (W1543-017)	1.000 EA
35EP1300A35	PU ENDPLATE, MACH	1.000 EA
HW4500A01	1641B(ALEMITE)400 UNIV, GREASE FITT	1.000 EA
51XN1032A20	10-32 X 1 1/4 HX WS SL SR	2.000 EA
HA3100A47	THRUBOLT 10-32 X 7.625	4.000 EA
06CB1500A01	CONDUIT BOX LID, MACH	1.000 EA
06GS1001	GASKET, CONDUIT BOX LID	1.000 EA
10XN2520A12	O1/4-20X 3/4 HEX HEAD CAP	2.000 EA
HW1001A25	LOCKWASHER 1/4, ZINC PLT .493 OD, .255 I	2.000 EA
HW2501D13SP	KEY, 3/16 SQ X 1.375	1.000 EA
HA7000A01	KEY RETAINER 7/8" DIA SHAFT	1.000 EA
85XU0407S04	4X1/4 U DRIVE PIN STAINLESS	2.000 EA
MJ1000A75	GREASE, POLYREX EM EXXON	0.050 LB
MG1000Y03	WILKO 689.710 GOLD PAINT SUPER E	0.022 GA

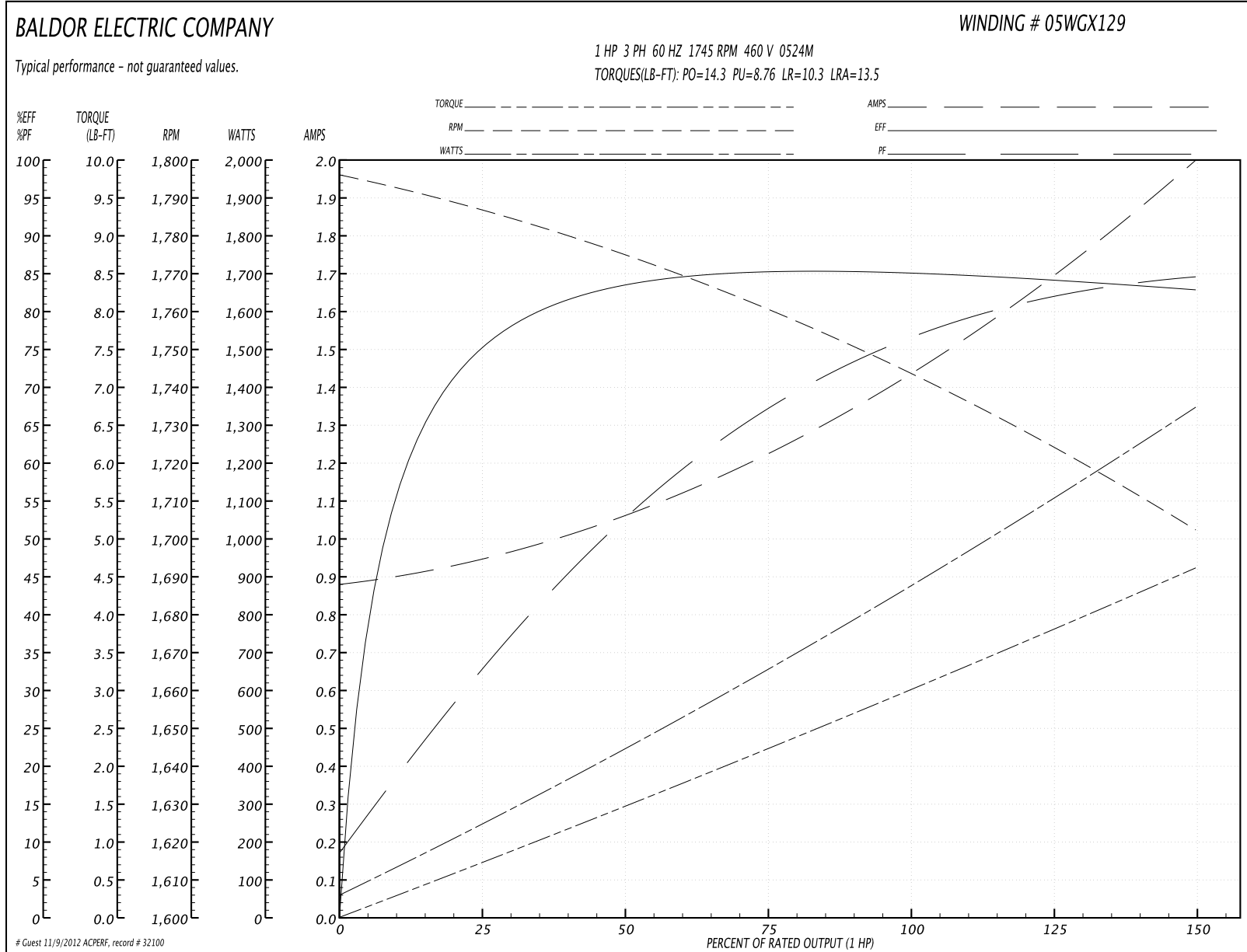
Parts List (continued)		
Part Number	Description	Quantity
LC0005E01	CONN.DIA./WARNING LABEL (LC0005/LB1119)	1.000 EA
LB1125C02	SUPER-E (STOCK CTN LABEL SUPER-E WITH FL	1.000 EA
LB1357	ENERGY GUIDE LABEL (BOX LABEL)	1.000 SH
NP1259L	ALUM SUPER-E UL CSA-EEV CC NEMA PREMIUM	1.000 EA
36PA1000	PACK GROUP W/LB5001	1.000 EA
PK3082	STYROFOAM CRADLE	1.000 EA

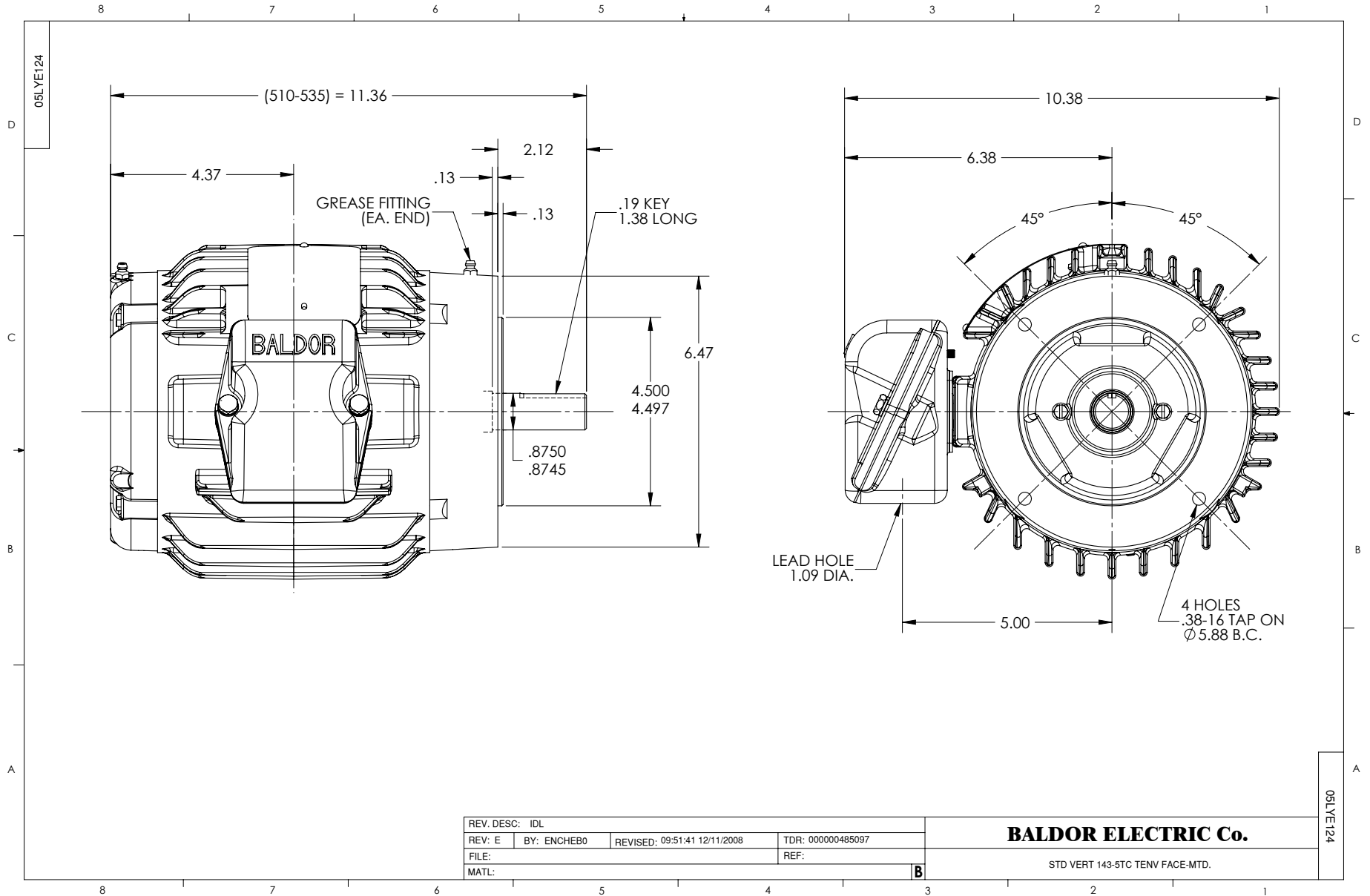
Performance Data at 460V, 60Hz, 1.0HP (Typical performance - Not guaranteed values)

General Characteristics			
Full Load Torque:	3.02 LB-FT	Start Configuration:	DOL
No-Load Current:	0.89 Amps	Break-Down Torque:	14.3 LB-FT
Line-line Res. @ 25°C.:	15.922 Ohms A Ph / 0.0 Ohms B Ph	Pull-Up Torque:	8.76 LB-FT
Temp. Rise @ Rated Load:		Locked-Rotor Torque:	10.3 LB-FT
Temp. Rise @ S.F. Load:		Starting Current:	13.5 Amps

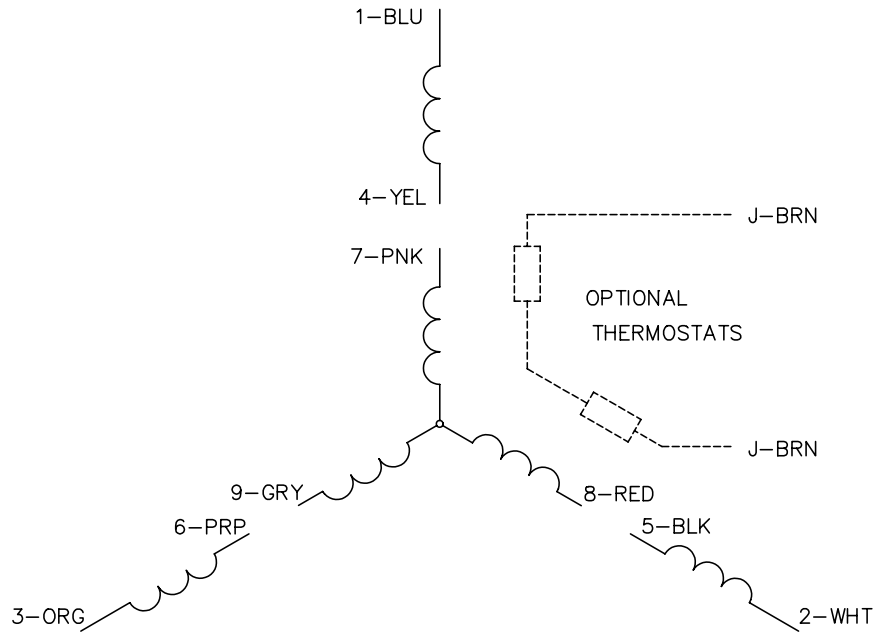
Load Characteristics							
% of Rated Load	25	50	75	100	125	150	S.F.
Power Factor:	33.0	53.0	67.0	76.0	81.0	85.0	79.0
Efficiency:	74.6	83.4	85.4	85.5	84.7	82.6	85.0
Speed:	1783.9	1773.9	1759.9	1743.9	1730.8	1698.3	1736.0
Line Amperes:	0.935	1.05	1.22	1.45	1.7	1.99	1.6

Performance Graph at 460V, 60Hz, 1.0HP Typical performance - Not guaranteed values





CD0005

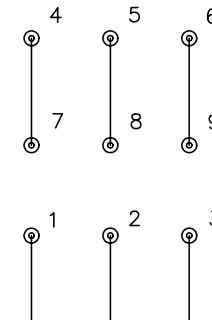


LOW VOLTAGE
(2Y)



LINE

HIGH VOLTAGE
(1Y)



LINE

NOTES:

1. INTERCHANGE ANY TWO LINE LEADS TO REVERSE ROTATION.
2. OPTIONAL THERMOSTATS ARE PROVIDED WHEN SPECIFIED.
3. ACTUAL NUMBER OF INTERNAL PARALLEL CIRCUITS MAY BE A MULTIPLE OF THOSE SHOWN ABOVE.
4. LEAD COLORS ARE OPTIONAL. LEADS MUST ALWAYS BE NUMBERED AS SHOWN.

REV. DESC: REVISE TO SHOW OPTIONAL COLORS			
REV. LTR: E	BY: JLP	REVISED: 01/19/99 10:15	TDR: 0171435
90000		FILE: AAA00005140	MDL: -
		MTL: -	

BALDOR ELECTRIC Co.

3PH, DV, 9 LEADS

CD0005