

BALDOR® • *RELIANCE*

Product Information Packet

VESWDM3554

1.5HP,1755RPM,3PH,60HZ,56C,3533M,TENV,F1

Copyright © All product information within this document is subject to Baldor Electric Company copyright © protection, unless otherwise noted.

Part Detail							
Revision:	E	Status:	PRD/A	Change #:		Proprietary:	No
Type:	AC	Prod. Type:	3533M	Elec. Spec:	35WGM613	CD Diagram:	
Enclosure:	TENV	Mfg Plant:		Mech. Spec:	35S617	Layout:	
Frame:	56C	Mounting:	F1	Poles:	04	Created Date:	08-11-2010
Base:	N	Rotation:	R	Insulation:	F	Eff. Date:	10-16-2012
Leads:	9#18	Literature:		Elec. Diagram:		Replaced By:	

Nameplate NP1669L									
CAT.NO.	VESWDM3554								
SPEC.	35S617M613G1								
HP	1.5								
VOLTS	208-230/460								
AMP	4.4-4.2/2.1								
RPM	1755								
FRAME	56C	HZ	60	PH	3				
SER.F.	1.15	CODE	M	DES	B	CLASS	F		
NEMA-NOM-EFF	86.5	PF	76						
RATING	40C AMB-CONT								
CC				USABLE AT 208V	4.4				
DE	6205	ODE	6203						
ENCL	TENV	SN							
BLANK									

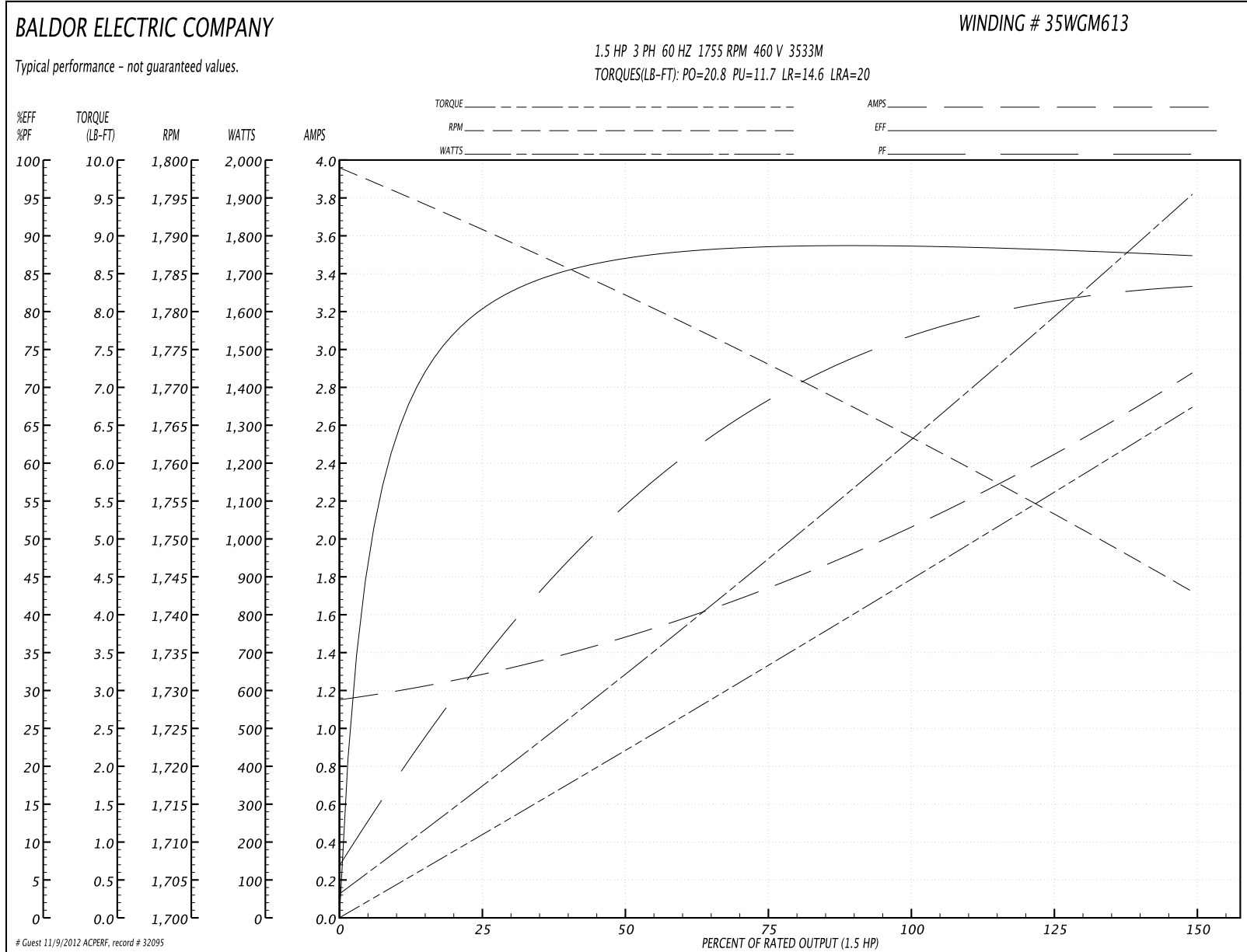
Parts List		
Part Number	Description	Quantity
SA201401	SA 35S617M613G1	1.000 EA
RA188699	RA 35S617M613G1	1.000 EA
S/P107-000-001	SUPER E PROC'S-FS & WS PLTS-POLYREX EM G	1.000 EA
NS2512A01	INSULATOR, CONDUIT BOX X	1.000 EA
35CB5001A03	CONDUIT BOX KIT, FOR SUPER II WASHDOWN	1.000 EA
11XW1032G06	10-32 X .38, TAPTITE II, HEX WSHR SLTD U	1.000 EA
35EP3100M72MU	SPL FR EP-ENCL-203 BRG-DIE CAST ALUM(BAL	1.000 EA
HW4500A33	1/8 NPT STAINLESS,HOLO-KROME #13002,PRES	3.000 EA
HW5100A03SP	WAVY WASHER (W1543-017)	1.000 EA
35EP3300A75MU	PU E.P., CAST-FACE MTD-56C-205 BRG(BALL	1.000 EA
HW4500A33	1/8 NPT STAINLESS,HOLO-KROME #13002,PRES	3.000 EA
HW4606A02	JM CLIPPER/SEAL (LWE-0938-1624-AL23)	1.000 EA
12XN1032S20	10-32 X 1-1/4 HEX M.S. , STAINLESS STEEL	2.000 EA
HA1049A01	DUBO LOK WASHER SIZE 10 (NYLON LOCK SEAL	4.000 EA
HA1049A01	DUBO LOK WASHER SIZE 10 (NYLON LOCK SEAL	2.000 EA
HW2502D13	SS KEY, 3/16 SQ X 1.375	1.000 EA
HA7000A04	KEY RETAINER 0.625 DIA SHAFTS	1.000 EA
MJ5001A02	732 CL SEALANT 3 OZ DIXIE BEARING 289100	0.001 EA
85XU0407S04	4X1/4 U DRIVE PIN STAINLESS	2.000 EA
LB1164	LABEL,WARNING AND DRAIN	1.000 EA
HA5027A04	HA4054 T-DRAIN X2 BAGGED	1.000 EA
MJ1000A75	GREASE, POLYREX EM EXXON	0.050 LB
HA3100S25	THRUBOLT 10-32 X 9.500 SS TDR #23687	4.000 EA
LB1125C02	SUPER-E (STOCK CTN LABEL SUPER-E WITH FL	1.000 EA

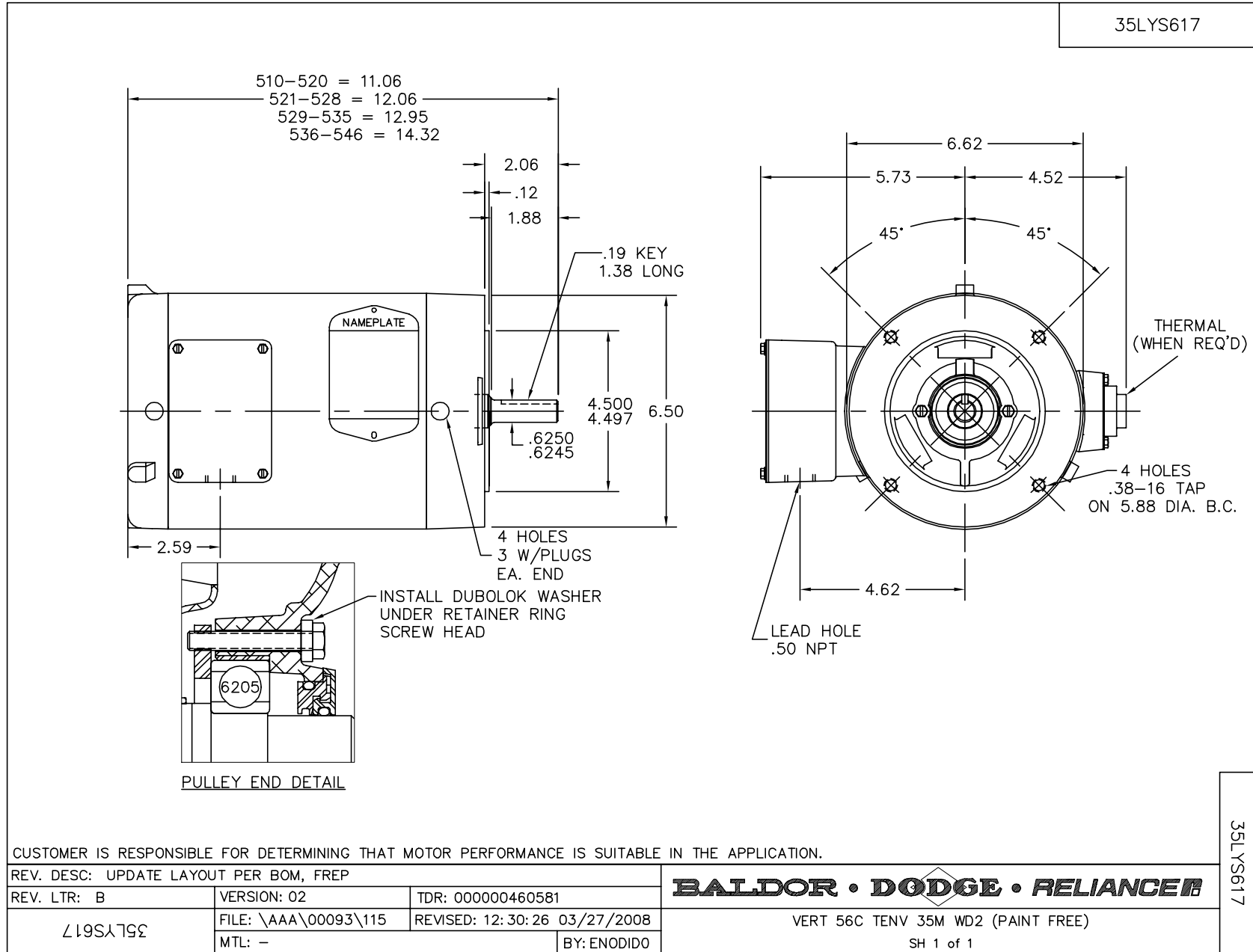
Parts List (continued)		
Part Number	Description	Quantity
LC0005	CONN.DIA.,TY M,9-LD,DUAL VOLT,REVERSING	1.000 EA
LB1357	ENERGY GUIDE LABEL (BOX LABEL)	1.000 SH
NP1669L	SS WD SUPER-E UL CSA-EEV PREM REV MTG	1.000 EA
35PA1066	PACKING GROUP COMBINED PRINT	1.000 EA
PK3082	STYROFOAM CRADLE	1.000 EA

Performance Data at 460V, 60Hz, 1.5HP (Typical performance - Not guaranteed values)

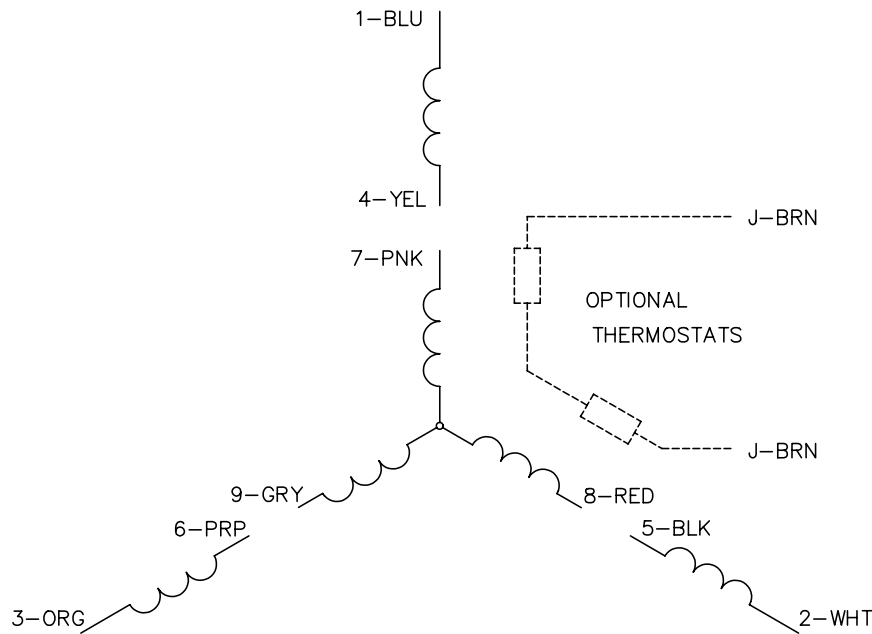
General Characteristics							
Full Load Torque:	4.45 LB-FT			Start Configuration:	DOL		
No-Load Current:	1.17 Amps			Break-Down Torque:	20.8 LB-FT		
Line-line Res. @ 25°C.:	8.44 Ohms A Ph / 0.0 Ohms B Ph			Pull-Up Torque:	11.7 LB-FT		
Temp. Rise @ Rated Load:	77 C			Locked-Rotor Torque:	14.6 LB-FT		
Temp. Rise @ S.F. Load:	92 C			Starting Current:	20.0 Amps		
Load Characteristics							
% of Rated Load	25	50	75	100	125	150	S.F.
Power Factor:	35.0	54.0	68.0	76.0	81.0	84.0	79.0
Efficiency:	80.4	87.0	88.3	88.8	88.2	87.3	88.4
Speed:	1791.0	1782.0	1773.0	1764.0	1753.0	1743.0	1757.0
Line Amperes:	1.26	1.46	1.76	2.07	2.45	2.87	2.3

Performance Graph at 460V, 60Hz, 1.5HP Typical performance - Not guaranteed values

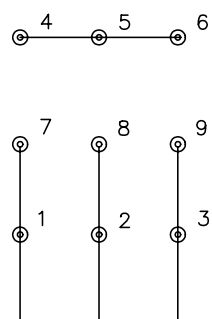




CD0005

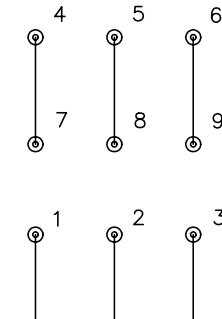


LOW VOLTAGE (2Y)



LINE

HIGH VOLTAGE (1Y)



LINE

NOTES:

1. INTERCHANGE ANY TWO LINE LEADS TO REVERSE ROTATION.
2. OPTIONAL THERMOSTATS ARE PROVIDED WHEN SPECIFIED.
3. ACTUAL NUMBER OF INTERNAL PARALLEL CIRCUITS MAY BE A MULTIPLE OF THOSE SHOWN ABOVE.
4. LEAD COLORS ARE OPTIONAL. LEADS MUST ALWAYS BE NUMBERED AS SHOWN.

REV. DESC: REVISE TO SHOW OPTIONAL COLORS			
REV. LTR: E	BY: JLP	REVISED: 01/19/99 10:15	TDR: 0171435
90000		FILE: AAA00005140	MDL: -
		MTL: -	

BALDOR ELECTRIC Co.

3PH, DV, 9 LEADS

CD0005