

# **BALDOR**® • **RELIANCE**

## **Product Information Packet**

# **VEWDM3538**

**.5HP,1740RPM,3PH,60HZ,56C,3512M,TENV,F1**

Copyright © All product information within this document is subject to Baldor Electric Company copyright © protection, unless otherwise noted.

Part Detail							
Revision:	B	Status:	PRD/A	Change #:		Proprietary:	No
Type:	AC	Prod. Type:	3512M	Elec. Spec:	35WGP863	CD Diagram:	
Enclosure:	TENV	Mfg Plant:		Mech. Spec:	35S603	Layout:	
Frame:	56C	Mounting:	F1	Poles:	04	Created Date:	04-05-2012
Base:	N	Rotation:	R	Insulation:	F	Eff. Date:	10-25-2012
Leads:	9#18	Literature:		Elec. Diagram:		Replaced By:	

Nameplate NP2179L									
CAT.NO.	VEWDM3538								
SPEC.	35S603P863G3								
HP	.5								
VOLTS	208-230/460								
AMP	1.8-1.6/.8								
RPM	1740								
FRAME	56C	HZ	60	PH	3				
SER.F.	1.15	CODE	M	DES	B	CLASS	F		
NEMA-NOM-EFF	80	PF	69						
RATING	40C AMB-CONT								
CC	USABLE AT 208V								
DE	6205	ODE	6203						
ENCL	TENV	SN							
BLANK									

Parts List		
Part Number	Description	Quantity
SA242301	SA 35S603P863G3	1.000 EA
RA229212	RA 35S603P863G3	1.000 EA
S/P107-000-001	SUPER E PROC'S-FS & WS PLTS-POLYREX EM G	1.000 EA
NS2512A01	INSULATOR, CONDUIT BOX X	1.000 EA
35CB3008A01W	35 CB .50 NPT @ 6, MACH WHITE EPOXY	1.000 EA
35GS1039	05 MOLDED GASKET W/LIP, 1.12 LEAD HOLE,	1.000 EA
51XB1016A07	10-16 X 7/16 HXWSSLD SERTYB	2.000 EA
11XW1032G06	10-32 X .38, TAPTITE II, HEX WSHR SLTD U	1.000 EA
35EP3100M71MW	SPL FR ENDPLATE -TENV- SP.#9 (WHITE EPOX	1.000 EA
HW4032A01	BLACK DRAIN PLUG FOR WASH DOWN MOTORS	3.000 EA
HW5100A03SP	WAVY WASHER (W1543-017)	1.000 EA
35EP3300A48MW	SPL FACE MTD EP - 205 BRG - W/SEAL FOR W	1.000 EA
HW4032A01	BLACK DRAIN PLUG FOR WASH DOWN MOTORS	3.000 EA
HW4600B49SP	SEAL 0.938 X 1.624 X 0.250 SINGLE LIP DB	1.000 EA
12XN1032S20	10-32 X 1-1/4 HEX M.S. , STAINLESS STEEL	2.000 EA
35CB4522	35 LIPPED CB LID AUTOPHORETIC	1.000 EA
35GS1030A02	35 GS FOR CB LID - WHITE NEOPRENE	1.000 EA
59XW0832S07	TAPTITE II,HEX WSHR UNSLTD SER,410 S.S.,	4.000 EA
HW4600B32SP	V-RING SLINGER 1.000 X 1.540 X 0.240	1.000 EA
HW2502D13	SS KEY, 3/16 SQ X 1.375	1.000 EA
HA7000A04	KEY RETAINER 0.625 DIA SHAFTS	1.000 EA
MJ5001A01	46-665 RED SEALER	0.001 QT
LB1164	LABEL,WARNING AND DRAIN	1.000 EA
85XU0407S04	4X1/4 U DRIVE PIN STAINLESS	2.000 EA

Parts List (continued)		
Part Number	Description	Quantity
HA5027A01	HA4066A01 T-DRAIN X2 BAGGED	1.000 EA
MJ1000A75	GREASE, POLYREX EM EXXON	0.050 LB
MG1025Z20	ACTIVATOR WILKOFAS 060.32	0.010 GA
MG1025W11	PAINT- 781-101 WILKOFAS WHITE EPOXY	0.017 GA
HA3100S08	THRUBOLT 7.375LG SS	4.000 EA
LB1125C02	SUPER-E (STOCK CTN LABEL SUPER-E WITH FL	1.000 EA
LC0005	CONN.DIA.,TY M,9-LD,DUAL VOLT,REVERSING	1.000 EA
LB1357	ENERGY GUIDE LABEL (BOX LABEL)	1.000 SH
NP2179L	SS WD SUPER-E UL CSA CC REV MTG	1.000 EA
35PA1066	PACKING GROUP COMBINED PRINT	1.000 EA
PK3082	STYROFOAM CRADLE	1.000 EA

**Performance Data at 460V, 60Hz, 0.5HP (Typical performance - Not guaranteed values)**

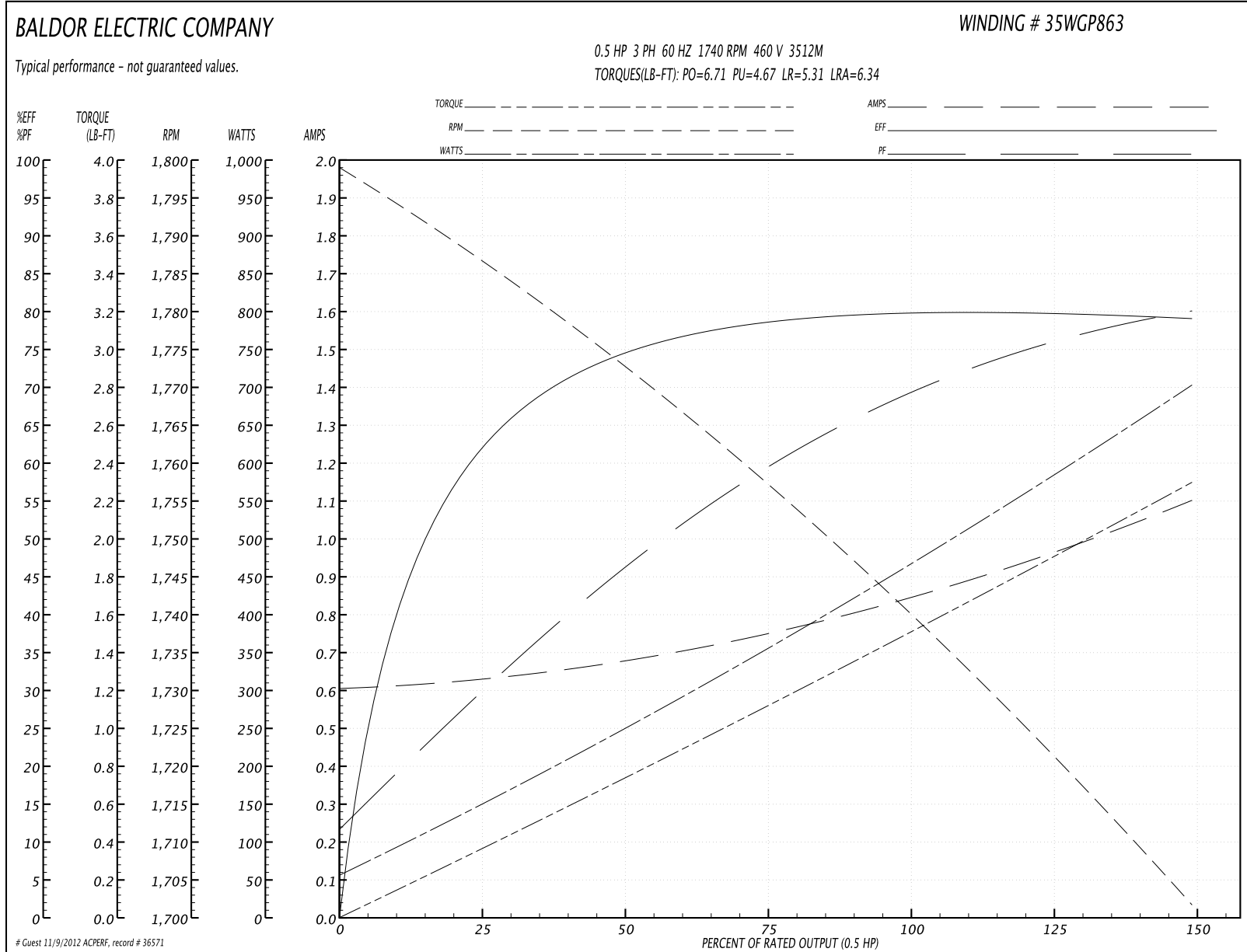
**General Characteristics**

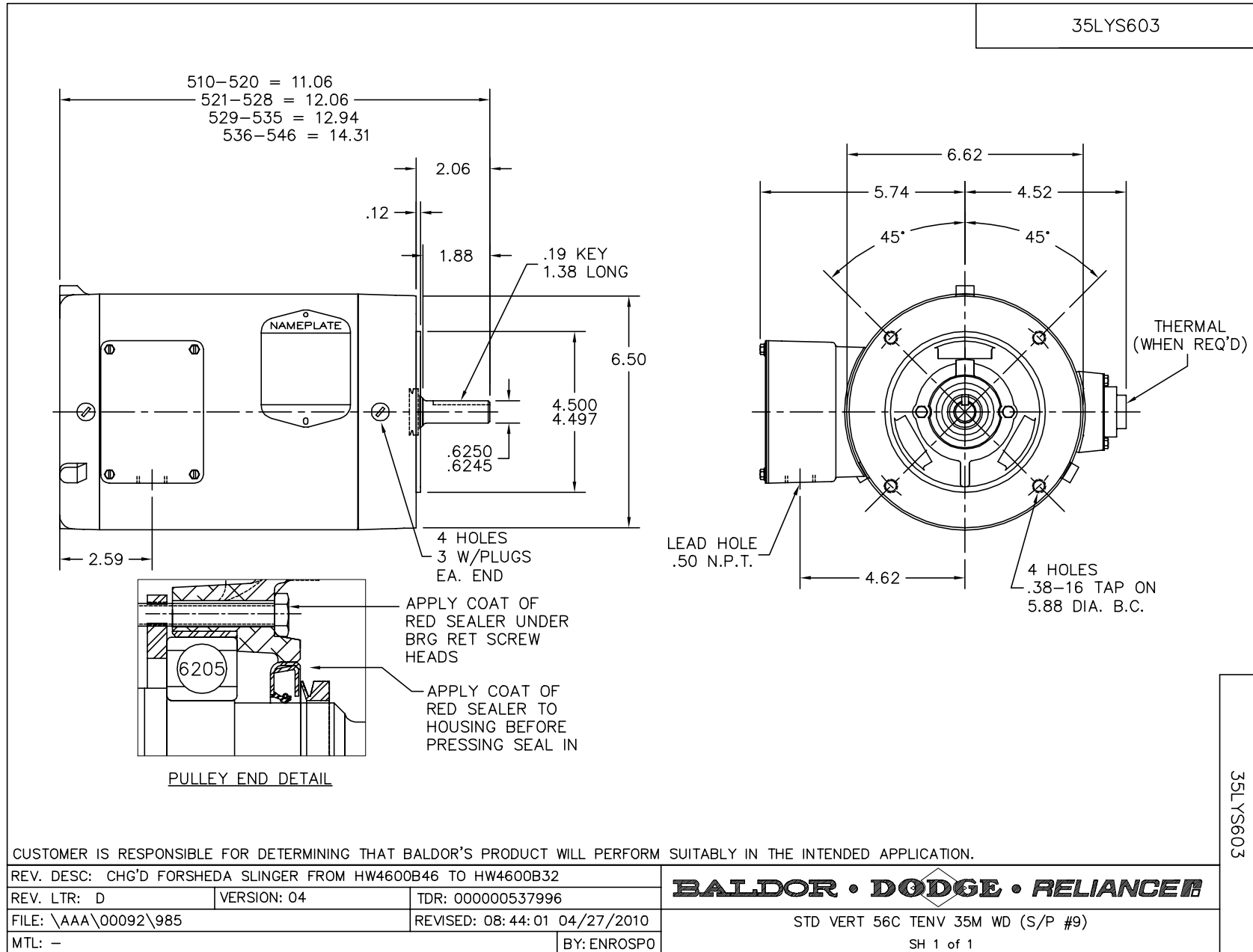
<b>Full Load Torque:</b>	1.49 LB-FT	<b>Start Configuration:</b>	DOL
<b>No-Load Current:</b>	0.608 Amps	<b>Break-Down Torque:</b>	6.71 LB-FT
<b>Line-line Res. @ 25°C.:</b>	34.0 Ohms A Ph / 0.0 Ohms B Ph	<b>Pull-Up Torque:</b>	4.67 LB-FT
<b>Temp. Rise @ Rated Load:</b>	54 C	<b>Locked-Rotor Torque:</b>	5.31 LB-FT
<b>Temp. Rise @ S.F. Load:</b>	65 C	<b>Starting Current:</b>	6.34 Amps

**Load Characteristics**

<b>% of Rated Load</b>	<b>25</b>	<b>50</b>	<b>75</b>	<b>100</b>	<b>125</b>	<b>150</b>	<b>S.F.</b>
<b>Power Factor:</b>	28.0	45.0	59.0	69.0	75.0	80.0	73.0
<b>Efficiency:</b>	59.5	73.1	78.5	80.0	80.1	78.9	80.1
<b>Speed:</b>	1788.0	1774.0	1759.0	1741.0	1722.0	1702.0	1730.0
<b>Line Amperes:</b>	0.624	0.669	0.744	0.844	0.957	1.1	0.912

Performance Graph at 460V, 60Hz, 0.5HP Typical performance - Not guaranteed values





CD0005



LOW VOLTAGE  
(2Y)



LINE

HIGH VOLTAGE  
(1Y)



LINE

NOTES:

1. INTERCHANGE ANY TWO LINE LEADS TO REVERSE ROTATION.
2. OPTIONAL THERMOSTATS ARE PROVIDED WHEN SPECIFIED.
3. ACTUAL NUMBER OF INTERNAL PARALLEL CIRCUITS MAY BE A MULTIPLE OF THOSE SHOWN ABOVE.
4. LEAD COLORS ARE OPTIONAL. LEADS MUST ALWAYS BE NUMBERED AS SHOWN.

REV. DESC: REVISE TO SHOW OPTIONAL COLORS			
REV. LTR: E	BY: JLP	REVISED: 01/19/99 10:15	TDR: 0171435
90000		FILE: AAA00005140	MDL: -
		MTL: -	

**BALDOR ELECTRIC Co.**

3PH, DV, 9 LEADS

CD0005