

BALDOR® • *RELIANCE*

Product Information Packet

VFDL3504M

.5HP, 1725RPM, 1PH, 60HZ, 56C, 3421L, TEFC, F1

Copyright © All product information within this document is subject to Baldor Electric Company copyright © protection, unless otherwise noted.

Part Detail							
Revision:	X	Status:	PRD/A	Change #:		Proprietary:	No
Type:	AC	Prod. Type:	3421L	Elec. Spec:	34WGW722	CD Diagram:	
Enclosure:	TEFC	Mfg Plant:		Mech. Spec:	34G301	Layout:	
Frame:	56C	Mounting:	F1	Poles:	04	Created Date:	
Base:	N	Rotation:	R	Insulation:	B	Eff. Date:	10-07-2011
Leads:	6#18,1#16 #4TH	Literature:		Elec. Diagram:		Replaced By:	

Nameplate NP1280L									
CAT.NO.	VF DL3504M								
SPEC.	34G301W722								
HP	.5								
VOLTS	115/230								
AMP	7.4/3.7								
RPM	1725								
FRAME	56C	HZ	60	PH	1				
SER.F.	1.25	CODE	J	DES	N	CL	B		
NEMA-NOM-EFF	68	PF	66						
RATING	40C AMB-CONT								
CC				USABLE AT 208V	4.3				
DE	6203	ODE	6203						
ENCL	TEFC	SN							
	SFA 8.2/4.1								

Parts List		
Part Number	Description	Quantity
SA006618	SA 34G301W722	1.000 EA
RA003345	RA 34G301W722	1.000 EA
TPMRD4747SP	THERMAL 1PH 0.75 MAN SPL LOW TEMP	1.000 EA
EC1270A02SP	ELEC CAP, 270-324 MFD, 125V, 1.48D X 3.	1.000 EA
NS2512A01	INSULATOR, CONDUIT BOX X	1.000 EA
34CB3001A39P	CONDUIT BOX, MACH/PAINT	1.000 EA
34GS1013SP	GASKET, CONDUIT BOX LEXIDE	1.000 EA
51XB1016A07	10-16 X 7/16 HXWSSLD SERTYB	2.000 EA
11XW1032G06	10-32 X .38, TAPTITE II, HEX WSHR SLTD U	1.000 EA
RM1014A01SP	BUTYL RUB.THRM COV. (MENA)	1.000 EA
HA6001A01	THERMAL RETAINER (PLATED)	1.000 EA
51XB1214A10	12-14 X 5/8HX WS SL SR TYBX	2.000 EA
34EP3102A01SP	FR ENDPLATE, MACH	1.000 EA
51XW0832A07	8-32 X .44, TAPTITE II, HEX WSHR SLTD SE	2.000 EA
NS2500A01	INSULATOR, AUTO THER PROT	1.000 EA
34CB4800SP	CAPACITOR COVER, STAMPED	1.000 EA
34GS3000SP	GASKET, CAPACITOR BOX	1.000 EA
51XB1016A05	10-16X5/16HX WA SL SR TYB (F/S)	2.000 EA
HW5100A03SP	WAVY WASHER (W1543-017)	1.000 EA
34EP3300A24SP	PU ENDPLATE, MACH	1.000 EA
51XN1032A20	10-32 X 1 1/4 HX WS SL SR	2.000 EA
34FN3002A01SP	EXTERNAL FAN, PLASTIC, .637/.639 HUB W/	1.000 EA
34FH4002A01	IEC FH NO GREASER	1.000 EA
51XW1032A06	10-32 X .38, TAPTITE II, HEX WSHR SLTD S	3.000 EA

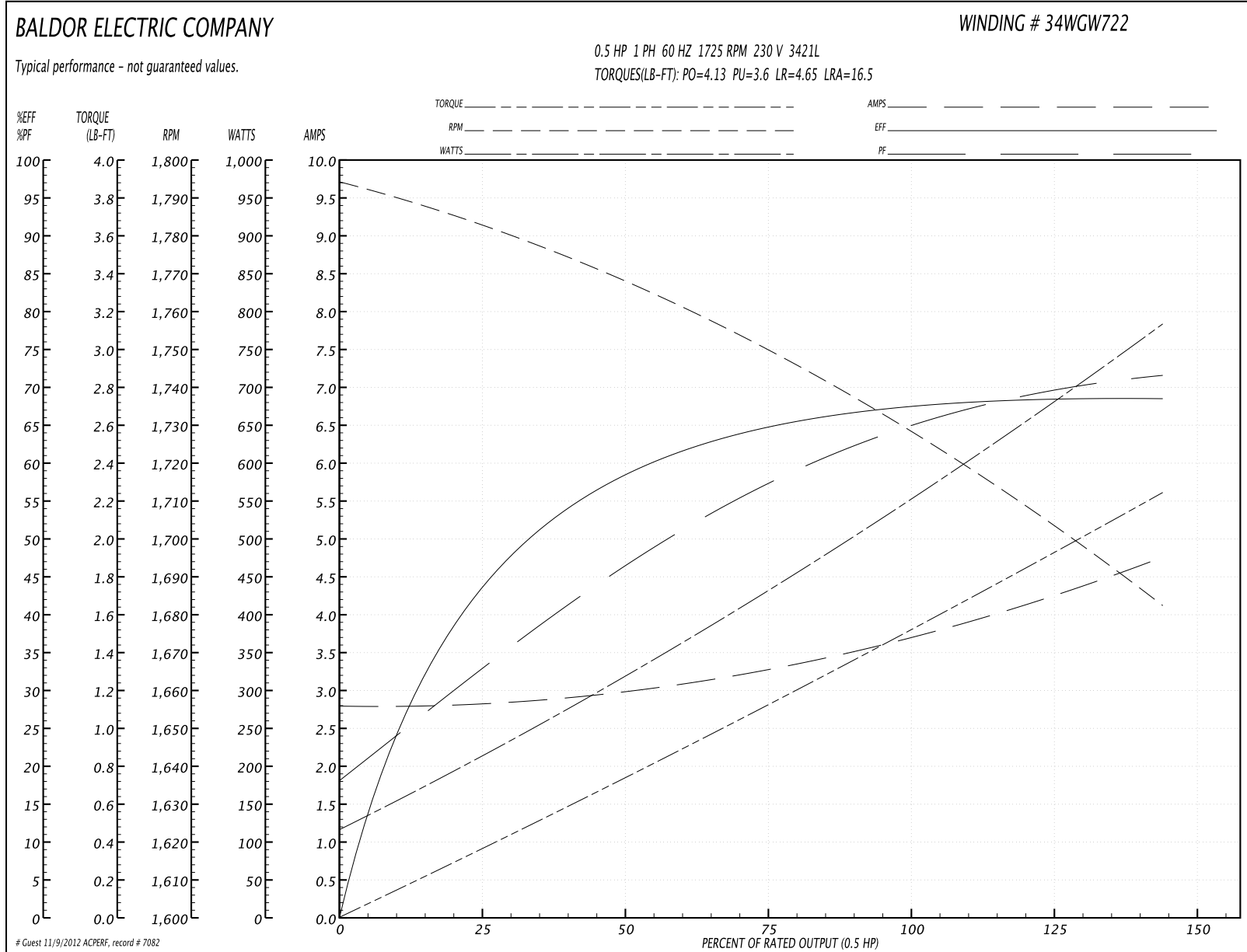
Parts List (continued)		
Part Number	Description	Quantity
36CB4516	36 LIPPED CB LID	1.000 EA
37GS1001SP	GASKET, CONDUIT BOX LID, .06 THICK LEXID	1.000 EA
51XW0832A07	8-32 X .44, TAPTITE II, HEX WSHR SLTD SE	4.000 EA
HW2501D13SP	KEY, 3/16 SQ X 1.375	1.000 EA
HA7000A04	KEY RETAINER 0.625 DIA SHAFTS	1.000 EA
HW3001B01	003SS CUP WASHER, FOR #8 SCREW	1.000 EA
WD1000A03	41531 AMP FLG.TERM,4M/REEL(2.5MIL)	2.000 EA
MG1025C02	PAINT, 787.105 LITE TAN EPOXY (USE W/MG1	0.014 GA
10XF0440S02	04-40 X 1/8 TYPE F HEX HD STAINLESS STIC	2.000 EA
LB1087	LABEL,MANUAL RESET (ROLL LABEL)	1.000 EA
SP5056A24	MODEL 34 TYPE L STATIONARY SWITCH WITH L	1.000 EA
HA3100A44	THRUBOLT 10-32 X 8.000	4.000 EA
LB1119	WARNING LABEL	1.000 EA
LB1125C01	STD (STOCK) CARTON LABEL BALDOR WITH FLA	1.000 EA
LC0008	1PH,DV,7-LEAD,THERMAL,CONNECTION DIAGRAM	1.000 EA
NP1280L	ALUM FARM DUTY UL CSA CC THERMAL	1.000 EA
34PA1005	PACKING GROUP, BALDOR	1.000 EA
PK3083T	STYROFOAM PACKING CRADLE W/TAPE	1.000 EA

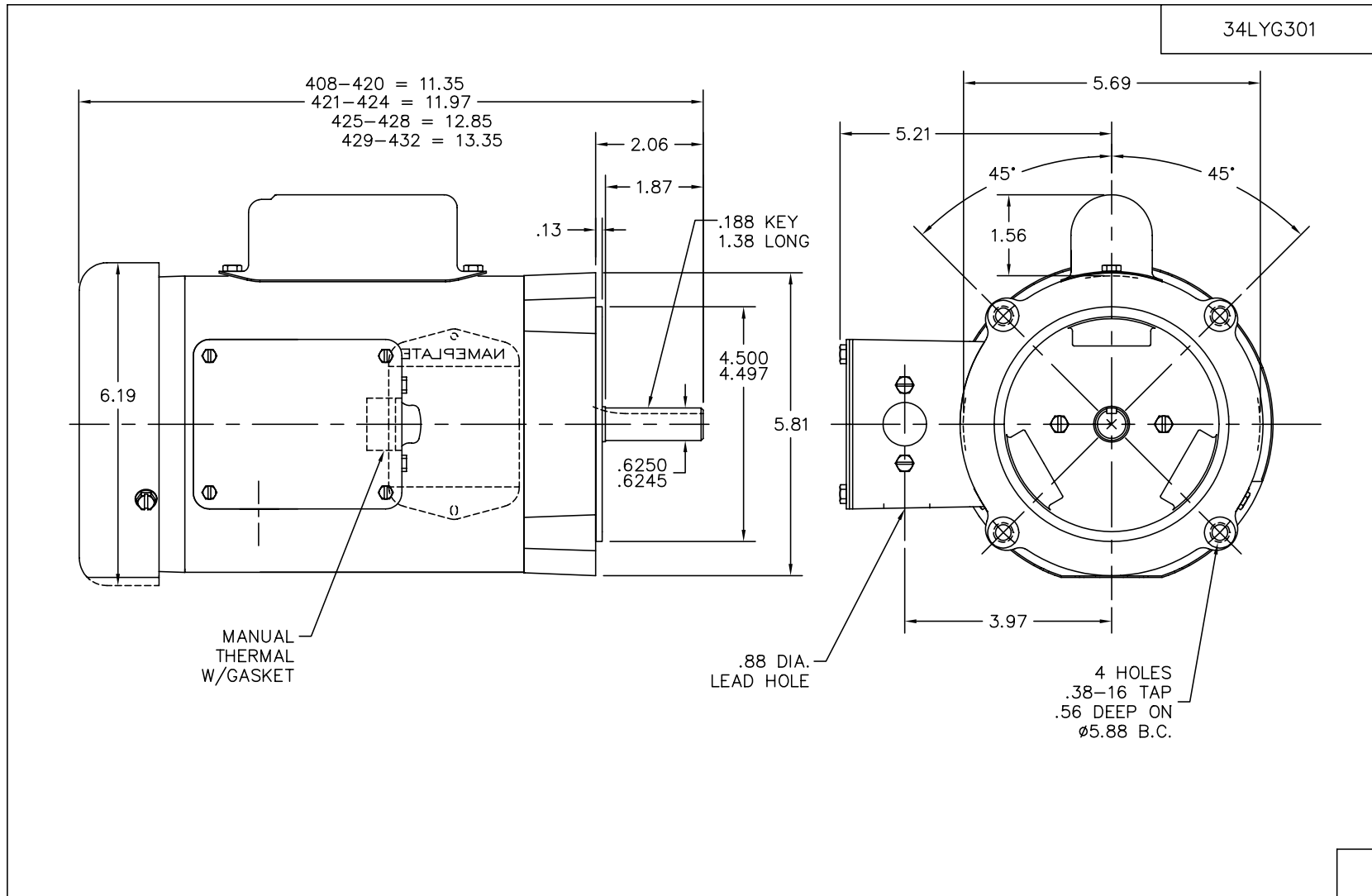
Performance Data at 230V, 60Hz, 0.5HP (Typical performance - Not guaranteed values)

General Characteristics			
Full Load Torque:	1.5 LB-FT	Start Configuration:	DOL
No-Load Current:	2.8 Amps	Break-Down Torque:	4.13 LB-FT
Line-line Res. @ 25°C.:	4.44 Ohms A Ph / 3.19 Ohms B Ph	Pull-Up Torque:	3.6 LB-FT
Temp. Rise @ Rated Load:	63 C	Locked-Rotor Torque:	4.65 LB-FT
Temp. Rise @ S.F. Load:	77 C	Starting Current:	16.5 Amps

Load Characteristics							
% of Rated Load	25	50	75	100	125	150	S.F.
Power Factor:	32.0	46.0	59.0	66.0	72.0	80.0	72.0
Efficiency:	42.0	58.0	65.0	68.0	69.0	68.0	69.0
Speed:	1783.0	1765.0	1750.0	1730.0	1710.0	1680.0	1710.0
Line Amperes:	2.8	3.0	3.3	3.7	4.1	4.8	4.1

Performance Graph at 230V, 60Hz, 0.5HP Typical performance - Not guaranteed values

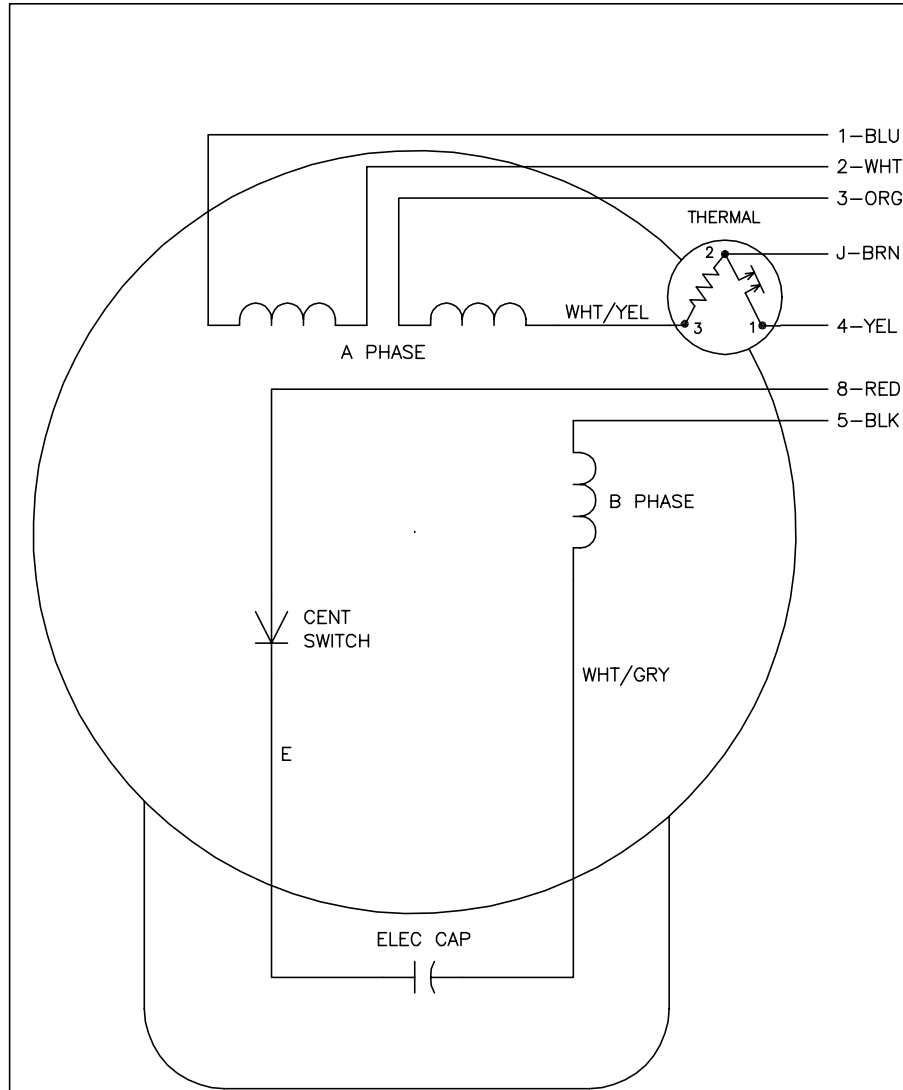




CUST. NAME		CUST. P.O.		CERTIFIED BY		MODEL		INSUL		AMB	
H.P.		MTG		TYPE		R.P.M.		VOLTS		ENCL	
PHASE		FREQ		FRAME		REV. DESC: UPDATED TO STD.					
REV. LTR: B		BY: JMB		REVISED: 05/25/99 16:		TDR: 0089234					
34LYG301		FILE: AAA00011316		MDL: -							
MTL: -		VERT MODEL 34L NEMA 56C TEFC W/.75 MTO IN K.O. BOX FARM DUTY									

34LYG301

CD0008



	LINE A	LINE B	JOIN	JOIN
HIGH STD	1	4	2,3,8	J,5
HIGH OPP	1	4	2,3,5	J,8
LOW STD	1,3,8	4	-	2,J,5
LOW OPP	1,3,5	4	-	2,J,8

NOTES:

1. STANDARD ROTATION IS CCW FACING END OPPOSITE SHAFT EXTENSION.
2. MULTIPLE CAPACITORS ARE CONNECTED IN PARALLEL UNLESS OTHERWISE SPECIFIED.
3. LEAD COLORS ARE OPTIONAL. LEADS MUST ALWAYS BE NUMBERED AS SHOWN.

REV. DESC: REMOVE 2-TERMINAL THERMAL DETAIL, SEE CD0008A02			
REV. LTR: F	VERSION: 01	TDR: 000000360649	
80000D	FILE: \AAA\00007\408	REVISED: 10:56:54 04/18/2005	
	MTL: -	BY: ENJOEPO	

BALDOR ELECTRIC Co.

TYPE L, DV, REV, THERMAL, 7 LEADS

CD0008