

BALDOR® • RELIANCE

Product Information Packet

VFDL3507M

.75HP, 1725RPM, 1PH, 60HZ, 56C, 3432LC, TEFC

Copyright © All product information within this document is subject to Baldor Electric Company copyright © protection, unless otherwise noted.

Part Detail							
Revision:	X	Status:	PRD/A	Change #:		Proprietary:	No
Type:	AC	Prod. Type:	3432LC	Elec. Spec:	34WGW937	CD Diagram:	
Enclosure:	TEFC	Mfg Plant:		Mech. Spec:	34G425	Layout:	
Frame:	56C	Mounting:	F1	Poles:	04	Created Date:	
Base:	N	Rotation:	R	Insulation:	B	Eff. Date:	11-01-2011
Leads:	6#18,1#14 #4TH	Literature:		Elec. Diagram:		Replaced By:	

Nameplate NP1280L									
CAT.NO.	VF DL3507M								
SPEC.	34G425W937								
HP	.75								
VOLTS	115/230								
AMP	8.8/4.4								
RPM	1725								
FRAME	56C	HZ	60	PH	1				
SER.F.	1.25	CODE	M	DES	N	CL	B		
NEMA-NOM-EFF	74	PF	75						
RATING	40C AMB-CONT								
CC				USABLE AT 208V					
DE	6203	ODE	6203						
ENCL	TEFC	SN							
	SFA 10.2/5.1								

Parts List		
Part Number	Description	Quantity
SA009285	SA 34G425W937	1.000 EA
RA005787	RA 34G425W937	1.000 EA
OC3025F11	CYL OIL CAP 25MFD/370V	1.000 EA
TPMRD4748SP	THERMAL 1PH 0.75 MAN SPL LOW TEMP	1.000 EA
EC1540A04	ELEC CAP, 540-648 MFD, 125V, 1.81D X 4.	1.000 EA
NS2512A01	INSULATOR, CONDUIT BOX X	1.000 EA
34CB3001A39P	CONDUIT BOX, MACH/PAINT	1.000 EA
34GS1013SP	GASKET, CONDUIT BOX LEXIDE	1.000 EA
51XB1016A07	10-16 X 7/16 HXWSSLD SERTYB	2.000 EA
11XW1032G06	10-32 X .38, TAPTITE II, HEX WSHR SLTD U	1.000 EA
HW3001B01	003SS CUP WASHER, FOR #8 SCREW	1.000 EA
RM1014A01SP	BUTYL RUB.THRM COV. (MENA)	1.000 EA
HA6001A01	THERMAL RETAINER (PLATED)	1.000 EA
51XB1214A08	12-14 X 1/2HX WS SL SR TYBX	2.000 EA
51XW0832A07	8-32 X .44, TAPTITE II, HEX WSHR SLTD SE	2.000 EA
34EP3102A01SP	FR ENDPLATE, MACH	1.000 EA
34CB3801	CAPACITOR BOX, DIE CAST	1.000 EA
34GS3002	GASKET, CAPACITOR BOX	1.000 EA
34GS5003A01	FOAM SLEEVE, ID = 2 1/16" X 4 3/8"	1.000 EA
51XB1214A08	12-14 X 1/2HX WS SL SR TYBX	2.000 EA
WD1000A03	41531 AMP FLG.TERM,4M/REEL(2.5MIL)	1.000 EA
HW5100A03SP	WAVY WASHER (W1543-017)	1.000 EA
34EP3300A24SP	PU ENDPLATE, MACH	1.000 EA
51XN1032A20	10-32 X 1 1/4 HX WS SL SR	2.000 EA

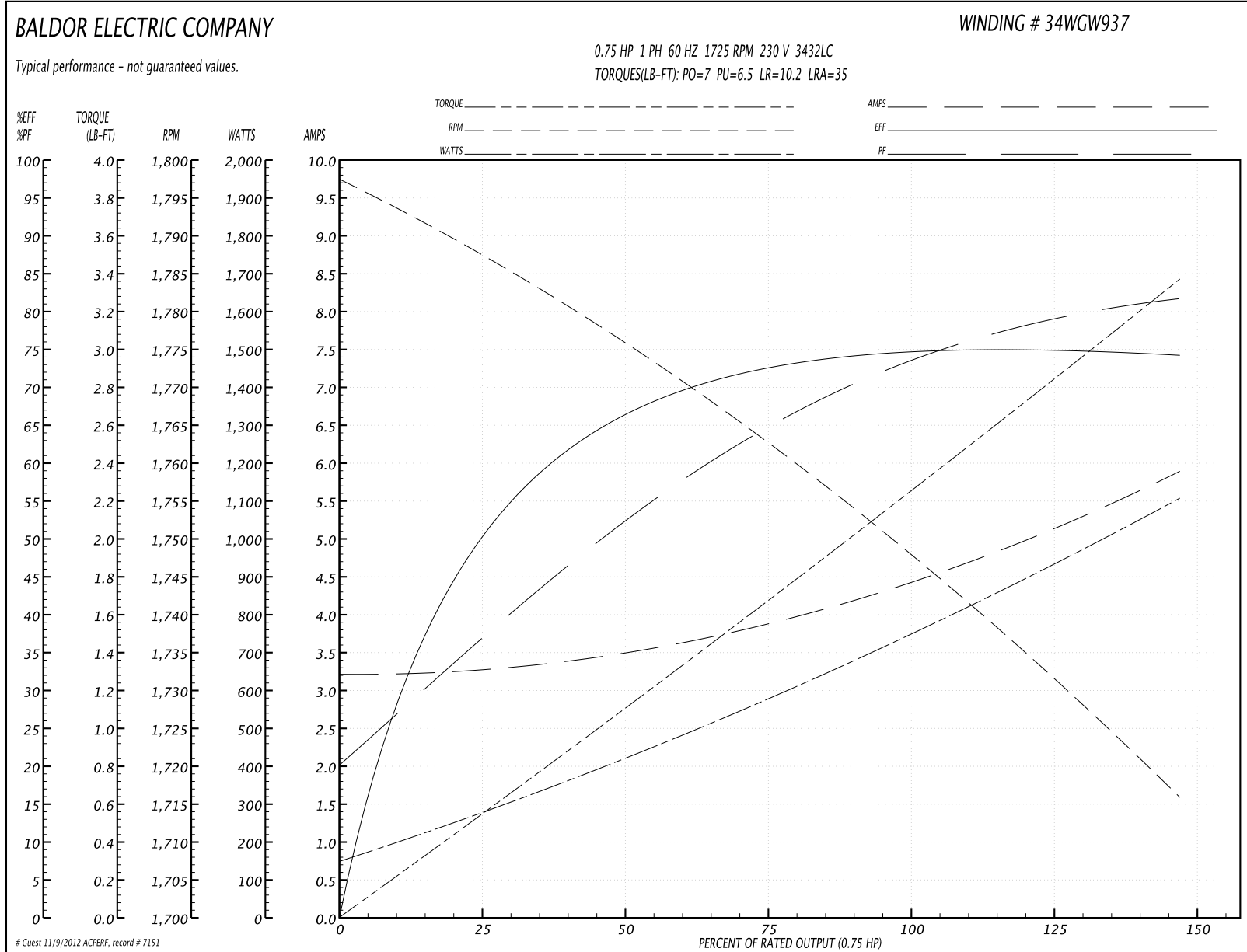
Parts List (continued)		
Part Number	Description	Quantity
34FN3002A01SP	EXTERNAL FAN, PLASTIC, .637/.639 HUB W/	1.000 EA
34FH4002A01	IEC FH NO GREASER	1.000 EA
51XW1032A06	10-32 X .38, TAPTITE II, HEX WSHR SLTD S	3.000 EA
36CB4516	36 LIPPED CB LID	1.000 EA
37GS1001SP	GASKET, CONDUIT BOX LID, .06 THICK LEXID	1.000 EA
51XW0832A07	8-32 X .44, TAPTITE II, HEX WSHR SLTD SE	4.000 EA
HW2501D13SP	KEY, 3/16 SQ X 1.375	1.000 EA
HA7000A04	KEY RETAINER 0.625 DIA SHAFTS	1.000 EA
MG1025C02	PAINT, 787.105 LITE TAN EPOXY (USE W/MG1	0.014 GA
10XF0440S02	04-40 X 1/8 TYPE F HEX HD STAINLESS STIC	2.000 EA
LB1087	LABEL,MANUAL RESET (ROLL LABEL)	1.000 EA
SP5056A18	MODEL 34 TYPE LC STATIONARY SWITCH WITH	1.000 EA
HA3100A38	THRUBOLT 10-32 X 9.375	4.000 EA
LB1119	WARNING LABEL	1.000 EA
LB1125C01	STD (STOCK) CARTON LABEL BALDOR WITH FLA	1.000 EA
LC0269	1PH,DV,REV,THERMAL,7 LD,LAMP THRU HTR H	1.000 EA
NP1280L	ALUM FARM DUTY UL CSA CC THERMAL	1.000 EA
34PA1005	PACKING GROUP, BALDOR	1.000 EA
PK3083T	STYROFOAM PACKING CRADLE W/TAPE	1.000 EA

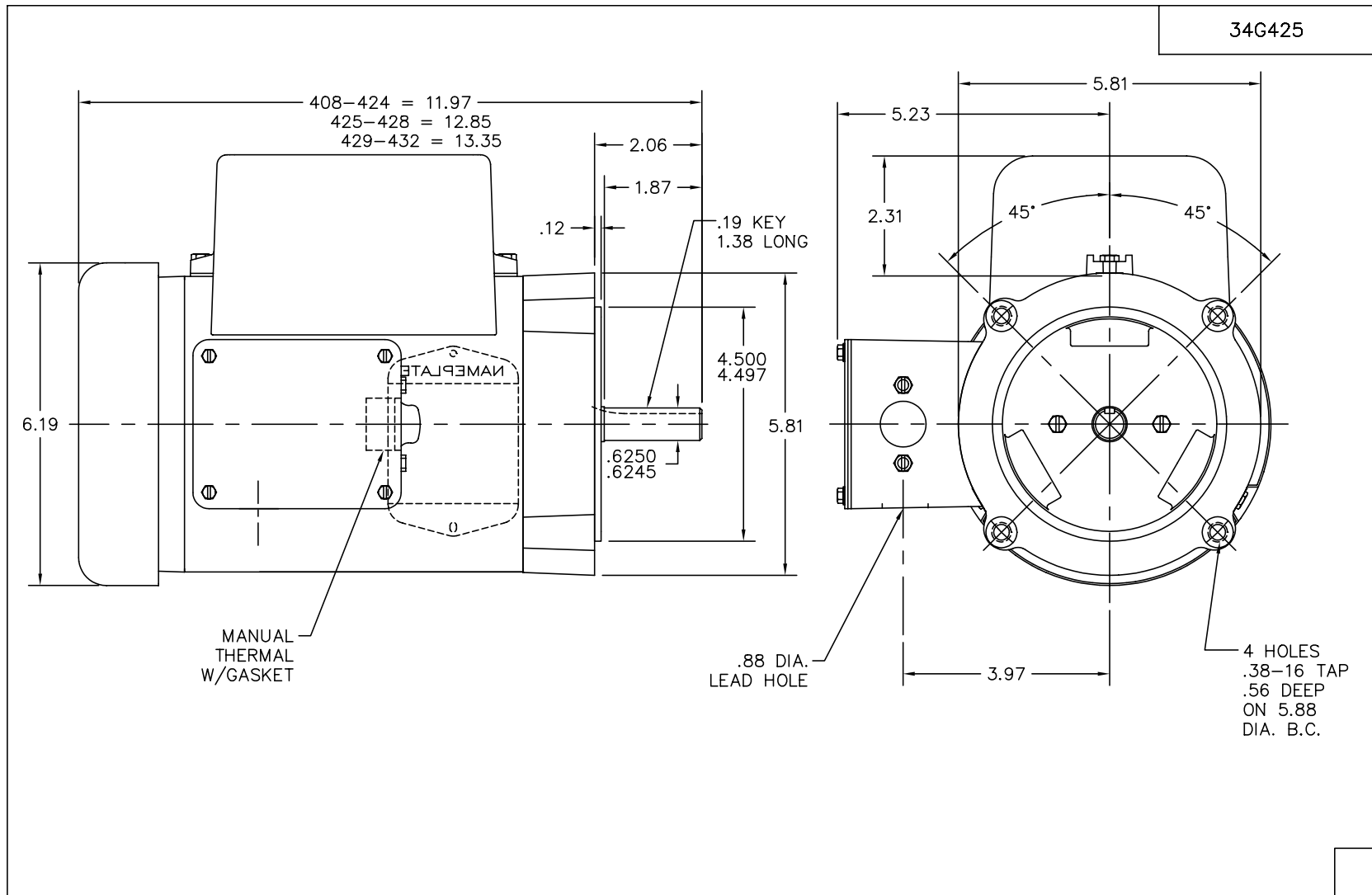
Performance Data at 230V, 60Hz, 0.75HP (Typical performance - Not guaranteed values)

General Characteristics			
Full Load Torque:	2.25 LB-FT	Start Configuration:	DOL
No-Load Current:	3.2 Amps	Break-Down Torque:	7.0 LB-FT
Line-line Res. @ 25°C.:	2.35 Ohms A Ph / 1.76 Ohms B Ph	Pull-Up Torque:	6.5 LB-FT
Temp. Rise @ Rated Load:	59 C	Locked-Rotor Torque:	10.2 LB-FT
Temp. Rise @ S.F. Load:	74 C	Starting Current:	35.0 Amps

Load Characteristics							
% of Rated Load	25	50	75	100	125	150	S.F.
Power Factor:	38.0	53.0	66.0	74.0	80.0	84.0	0.0
Efficiency:	50.7	66.0	72.9	74.9	75.1	74.1	0.0
Speed:	1787.0	1775.0	1761.0	1750.0	1733.0	1715.0	0.0
Line Amperes:	3.3	3.5	3.9	4.4	5.1	5.9	5.1

Performance Graph at 230V, 60Hz, 0.75HP Typical performance - Not guaranteed values

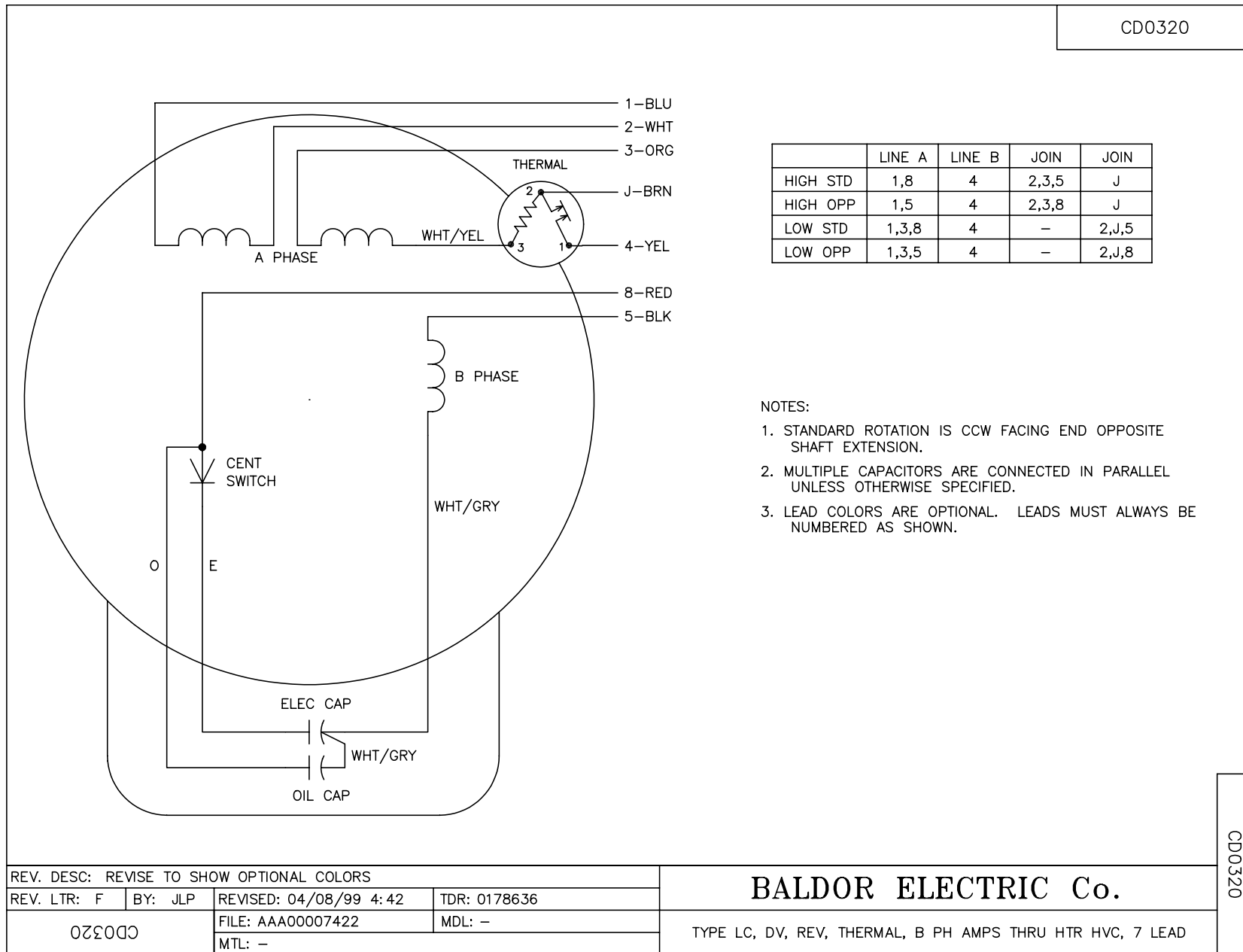




CUST. NAME		CUST. P.O.		CERTIFIED BY		MODEL		INSUL		AMB							
H.P.		MTG		TYPE		R.P.M.		VOLTS		ENCL		PHASE		FREQ		FRAME	
REMARKS:												BALDOR ELECTRIC Co.					
REV: A		UPDATED TO ACAD															
34G425		SCALE .4		BY: JMB		REVISED: 01/14/97		SPL VERT 34LC NEMA 56C TEFC FARM DUTY W/.75 MTO IN KOBX									
		FILE: AAA00037638		TDR: 0089236													

34G425

CD0320



REV. DESC: REVISE TO SHOW OPTIONAL COLORS			
REV. LTR: F	BY: JLP	REVISED: 04/08/99 4:42	TDR: 0178636
0320		FILE: AAA00007422	MDL: -
		MTL: -	

BALDOR ELECTRIC Co.

TYPE LC, DV, REV, THERMAL, B PH AMPS THRU HTR HVC, 7 LEAD

CD0320