

BALDOR® • **RELIANCE**

Product Information Packet

VHECP2333T

15HP, 1765RPM, 3PH, 60HZ, 254HP, 0944M, TEFC, F

Copyright © All product information within this document is subject to Baldor Electric Company copyright © protection, unless otherwise noted.

| Part Detail | | | | | | | |
|-------------|-------|-------------|-------|----------------|----------|---------------|------------|
| Revision: | - | Status: | PRD/A | Change #: | | Proprietary: | No |
| Type: | AC | Prod. Type: | 0944M | Elec. Spec: | 09WGZ910 | CD Diagram: | |
| Enclosure: | TEFC | Mfg Plant: | | Mech. Spec: | 09G604 | Layout: | |
| Frame: | 254HP | Mounting: | F1 | Poles: | 04 | Created Date: | 11-09-2012 |
| Base: | N | Rotation: | R | Insulation: | F | Eff. Date: | 11-09-2012 |
| Leads: | 9#12 | Literature: | | Elec. Diagram: | | Replaced By: | |

| Nameplate NP1260E | | | | | | | | | |
|-------------------|--------------|----------------|------|-----|---|----|---|--|--|
| CAT.NO. | VHECP2333T | | | | | | | | |
| SPEC. | 09G604Z910 | | | | | | | | |
| HP | 15 | | | | | | | | |
| VOLTS | 230/460 | | | | | | | | |
| AMP | 36.2/18.1 | | | | | | | | |
| RPM | 1765 | | | | | | | | |
| FRAME | 254HP | HZ | 60 | PH | 3 | | | | |
| SER.F. | 1.15 | CODE | H | DES | A | CL | F | | |
| NEMA-NOM-EFF | 92.4 | PF | 83 | | | | | | |
| RATING | 40C AMB-CONT | | | | | | | | |
| CC | 010A | USABLE AT 208V | 38 | | | | | | |
| DE | 6311 | ODE | 6208 | | | | | | |
| ENCL | TEFC | SN | | | | | | | |
| | | | | | | | | | |

| Parts List | | |
|----------------|--|----------|
| Part Number | Description | Quantity |
| SA254030 | SA 09G604Z910 | 1.000 EA |
| RA240841 | RA 09G604Z910 | 1.000 EA |
| S/P107-000-005 | SUPER-E PROC'S(254/6 FR.) ZK PLANT - POL | 1.000 EA |
| 09CB1002A13P | KOBX W/1.50 NPT LEAD HL,2.38 MTG HL PATT | 1.000 EA |
| 09GS1010 | GASKET, DWG, LEADWIRE SEPERATOR | 1.000 EA |
| 10XN2520K12 | 1/4-20 X.75 GRD 5 | 4.000 EA |
| HW1001A25 | LOCKWASHER 1/4, ZINC PLT .493 OD, .255 I | 4.000 EA |
| WD1000B16 | KPA-4C BURNDY TERMINAL | 1.000 EA |
| 10XN2520K12 | 1/4-20 X.75 GRD 5 | 1.000 EA |
| HW1001A25 | LOCKWASHER 1/4, ZINC PLT .493 OD, .255 I | 1.000 EA |
| HA3400A33 | STUD- 3/8-16 X 4.82 HEX WELKER | 4.000 EA |
| HW1001A38 | LOCKWASHER 3/8, ZINC PLT .688 OD, .382 I | 4.000 EA |
| HW4600B44SP | V-RING SLINGER 1.500 X 2.290 X 0.280 | 1.000 EA |
| HW5100A08 | W3118-035 WVY WSHR (WB) | 1.000 EA |
| 10XN2520K28 | 1/4-20 X 1.75" HX HD SCRWGRADE 5, ZINC P | 2.000 EA |
| 10XN3118K56 | 5/16-18 X 3.50" HEX HD, GRADE 5 | 4.000 EA |
| 10XN3816K24 | 3/8-16 X 1.50 HEX HD CAP SCREW, GRADE 5 | 4.000 EA |
| HW1001A38 | LOCKWASHER 3/8, ZINC PLT .688 OD, .382 I | 4.000 EA |
| HW4600E45 | CR#20599 DOUBLE LIP SEAL 2.06 X 3.00 X . | 1.000 EA |
| HW4600B40 | V-RING SLINGER 2.000 X 2.680 X 0.280 | 1.000 EA |
| 09FH1000A11P | FAN COVER, MACH P-BASE W/EPOXY PRIMER | 1.000 EA |
| HW1001A38 | LOCKWASHER 3/8, ZINC PLT .688 OD, .382 I | 4.000 EA |
| XY3816A12 | 3/8-16 FINISHED NUT | 4.000 EA |
| HA6387 | SPL EYE BRACKET 309-10 FRCR. STEEL P-BAS | 2.000 EA |

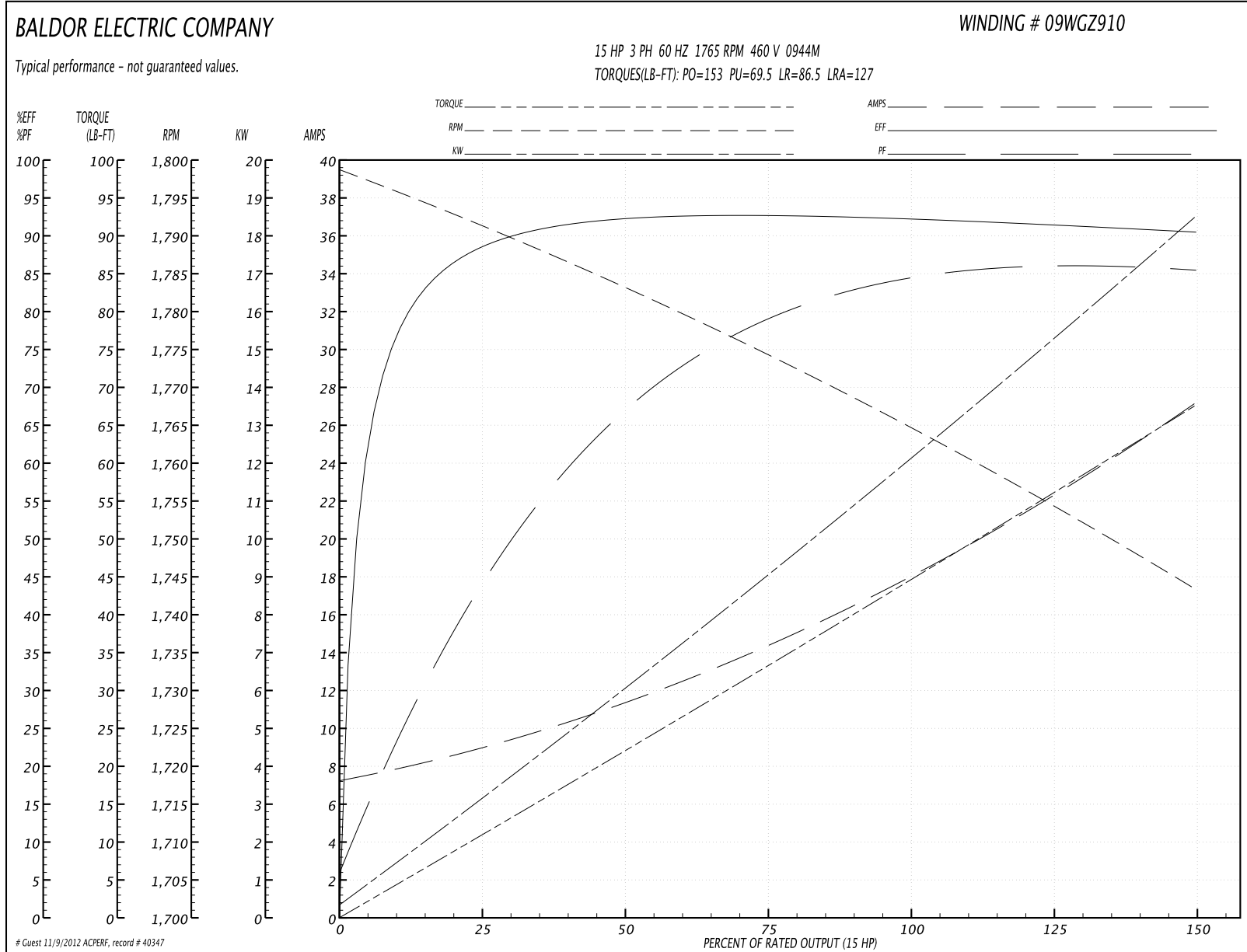
| Parts List (continued) | | |
|------------------------|--|----------|
| Part Number | Description | Quantity |
| 10XN3816K20 | 3/8-16 X 1.25 HEX HD CAP GRADE 5 | 4.000 EA |
| HW1001A38 | LOCKWASHER 3/8, ZINC PLT .688 OD, .382 I | 4.000 EA |
| XY3816A12 | 3/8-16 FINISHED NUT | 4.000 EA |
| 09FH1500A01P | DRIP COVER, MACH W/EPOXY PRIMER | 1.000 EA |
| 10XN2520K30 | STD.25X20 THD HEX HD CAP SCREW, GRADE 5 | 4.000 EA |
| HW1000A25 | 1/4 SAE FLAT WASHER (FS) | 4.000 EA |
| HW1001A25 | LOCKWASHER 1/4, ZINC PLT .493 OD, .255 I | 4.000 EA |
| 12CB1503A01P | KOLD MACH, W/LIP & EPOXY PRIMER | 1.000 EA |
| 12GS1002 | GASKET, CONDUIT BOX LID, NEOP | 1.000 EA |
| 10XN3118K16 | 5/16-18 X 1" GRADE #5, STL, ZINC PLATE | 2.000 EA |
| HW1001A31 | LOCKWASHER 5/16, ZINC PLT.591 OD, .319 I | 2.000 EA |
| HW2501E18 | KEY, 1/4 SQ X 2.000 | 1.000 EA |
| MJ5001A01 | 46-665 RED SEALER | 0.031 QT |
| MJ5001A14 | DYNAPRO SEAL, CP MOTORS VC#2508050 (603 | 0.023 EA |
| LB1115 | LABEL,LIFTING DEVICE | 1.000 EA |
| LB1002 | LABEL,MARINE DUTY (ON ROLLS) | 1.000 EA |
| LB5040 | INSTRUCTION TAG, AC & DC | 1.000 EA |
| LB1182 | WARNING LABEL FOR MOTORS WITH EYENUTS | 1.000 EA |
| PK6014 | STEEL STRAP FOR 309-312 BASELESS MOTORS | 3.000 EA |
| 19XW3118A08 | .31-18 X .50 HEX WASHER HEAD TAPTITE II | 3.000 EA |
| 09EP1100A28GP6 | ENDPLATE,MACH,PRIMED, W/RELIANCE GREEN | 1.000 EA |
| HW4500A05 | 1669B ALEM/UNIV860 GR FTG X | 1.000 EA |
| HW4500A17 | 317400 ALEMITE GREASE RELIEF | 1.000 EA |
| HA4051A00 | PLASTIC CAP FOR GREASE FITTING | 1.000 EA |

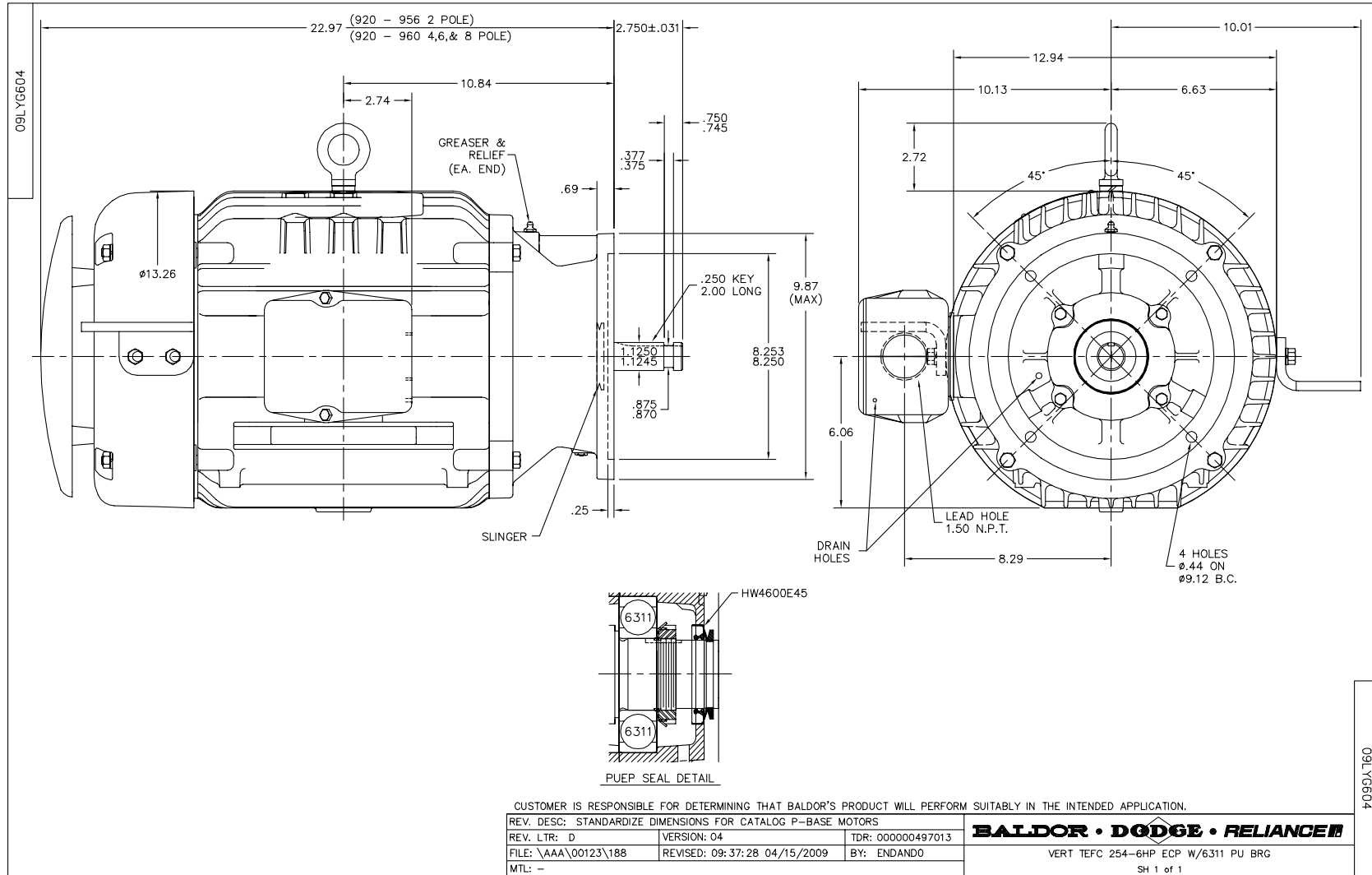
| Parts List (continued) | | |
|------------------------|--|----------|
| Part Number | Description | Quantity |
| MJ1000A75 | GREASE, POLYREX EM EXXON | 0.080 LB |
| 09EP1505A11P | PU ENDPLATE ENCL 213 BRG 309 254-256LP, | 1.000 EA |
| HW4500A17 | 317400 ALEMITE GREASE RELIEF | 1.000 EA |
| HW4500A03 | GREASE FITTING, .125 NPT 1610(ALEMITE) 8 | 1.000 EA |
| HA4051A00 | PLASTIC CAP FOR GREASE FITTING | 1.000 EA |
| 09FN3001D01SP | EXTERNAL FAN, PLASTIC | 1.000 EA |
| HW2500A25 | WOODRUFF KEY USA #1008 #BLOW CARBON STEE | 4.000 EA |
| 51XB1214A20 | 12-14X1.25 HXWSSLD SERTYB | 4.000 EA |
| MG1025N19 | PAINT, 778.50 WILKO, RELIANCE ELEC GREEN | 0.050 GA |
| 85XU0407S04 | 4X1/4 U DRIVE PIN STAINLESS | 2.000 EA |
| LB1125C02 | SUPER-E (STOCK CTN LABEL SUPER-E WITH FL | 4.000 EA |
| LB1357 | ENERGY GUIDE LABEL (BOX LABEL) | 2.000 SH |
| LC0005E02 | SPL CONN.DIA./WARN.LABEL(LC0005/LB1119) | 1.000 EA |
| NP1260E | SS CP SUPER-E UL CSA CC | 1.000 EA |
| 40PA1014 | PACKAGING GROUP, 09 NO BASE | 1.000 EA |

Performance Data at 460V, 60Hz, 15.0HP (Typical performance - Not guaranteed values)

| General Characteristics | | | | | | | |
|--------------------------|-----------------------------------|--------|--------|----------------------|-------------|--------|--------|
| Full Load Torque: | 44.5 LB-FT | | | Start Configuration: | DOL | | |
| No-Load Current: | 7.56 Amps | | | Break-Down Torque: | 153.0 LB-FT | | |
| Line-line Res. @ 25°C.: | 0.59555 Ohms A Ph / 0.0 Ohms B Ph | | | Pull-Up Torque: | 69.5 LB-FT | | |
| Temp. Rise @ Rated Load: | 54 C | | | Locked-Rotor Torque: | 86.5 LB-FT | | |
| Temp. Rise @ S.F. Load: | 67 C | | | Starting Current: | 127.0 Amps | | |
| Load Characteristics | | | | | | | |
| % of Rated Load | 25 | 50 | 75 | 100 | 125 | 150 | S.F. |
| Power Factor: | 45.0 | 69.0 | 79.0 | 83.0 | 85.0 | 87.0 | 84.0 |
| Efficiency: | 88.2 | 92.2 | 92.7 | 92.4 | 91.5 | 90.4 | 91.9 |
| Speed: | 1791.3 | 1783.1 | 1774.0 | 1765.2 | 1754.6 | 1743.1 | 1759.0 |
| Line Amperes: | 8.62 | 11.0 | 14.5 | 18.2 | 22.6 | 26.9 | 20.8 |

Performance Graph at 460V, 60Hz, 15.0HP Typical performance - Not guaranteed values





CD0005

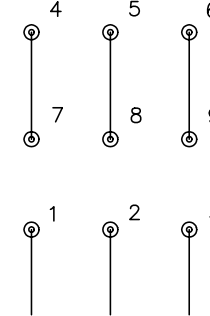


LOW VOLTAGE (2Y)



LINE

HIGH VOLTAGE (1Y)



LINE

NOTES:

1. INTERCHANGE ANY TWO LINE LEADS TO REVERSE ROTATION.
2. OPTIONAL THERMOSTATS ARE PROVIDED WHEN SPECIFIED.
3. ACTUAL NUMBER OF INTERNAL PARALLEL CIRCUITS MAY BE A MULTIPLE OF THOSE SHOWN ABOVE.
4. LEAD COLORS ARE OPTIONAL. LEADS MUST ALWAYS BE NUMBERED AS SHOWN.

| | | | |
|---|---------|-------------------------|--------------|
| REV. DESC: REVISE TO SHOW OPTIONAL COLORS | | | |
| REV. LTR: E | BY: JLP | REVISED: 01/19/99 10:15 | TDR: 0171435 |
| 9000D | | FILE: AAA00005140 | MDL: - |
| | | MTL: - | |

BALDOR ELECTRIC Co.

3PH, DV, 9 LEADS

CD0005