

BALDOR® • *RELIANCE*

Product Information Packet

VHECP2334T

20HP,1765RPM,3PH,60HZ,256HP,0952M,TEFC

Copyright © All product information within this document is subject to Baldor Electric Company copyright © protection, unless otherwise noted.

Part Detail							
Revision:	V	Status:	PRD/A	Change #:		Proprietary:	No
Type:	AC	Prod. Type:	0952M	Elec. Spec:	09WGY583	CD Diagram:	
Enclosure:	TEFC	Mfg Plant:		Mech. Spec:	09G604	Layout:	
Frame:	256HP	Mounting:	F1	Poles:	04	Created Date:	
Base:	N	Rotation:	R	Insulation:	F	Eff. Date:	09-24-2012
Leads:	9#12	Literature:		Elec. Diagram:		Replaced By:	

Nameplate NP1260E							
CAT.NO.	VHECP2334T						
SPEC.	09G604Y583						
HP	20						
VOLTS	230/460						
AMP	48/24						
RPM	1765						
FRAME	256HP	HZ	60	PH	3		
SER.F.	1.15	CODE	H	DES	B	CL	F
NEMA-NOM-EFF	93	PF	84				
RATING	40C AMB-CONT						
CC	010A	USABLE AT 208V	51				
DE	6311	ODE	6208				
ENCL	TEFC	SN					

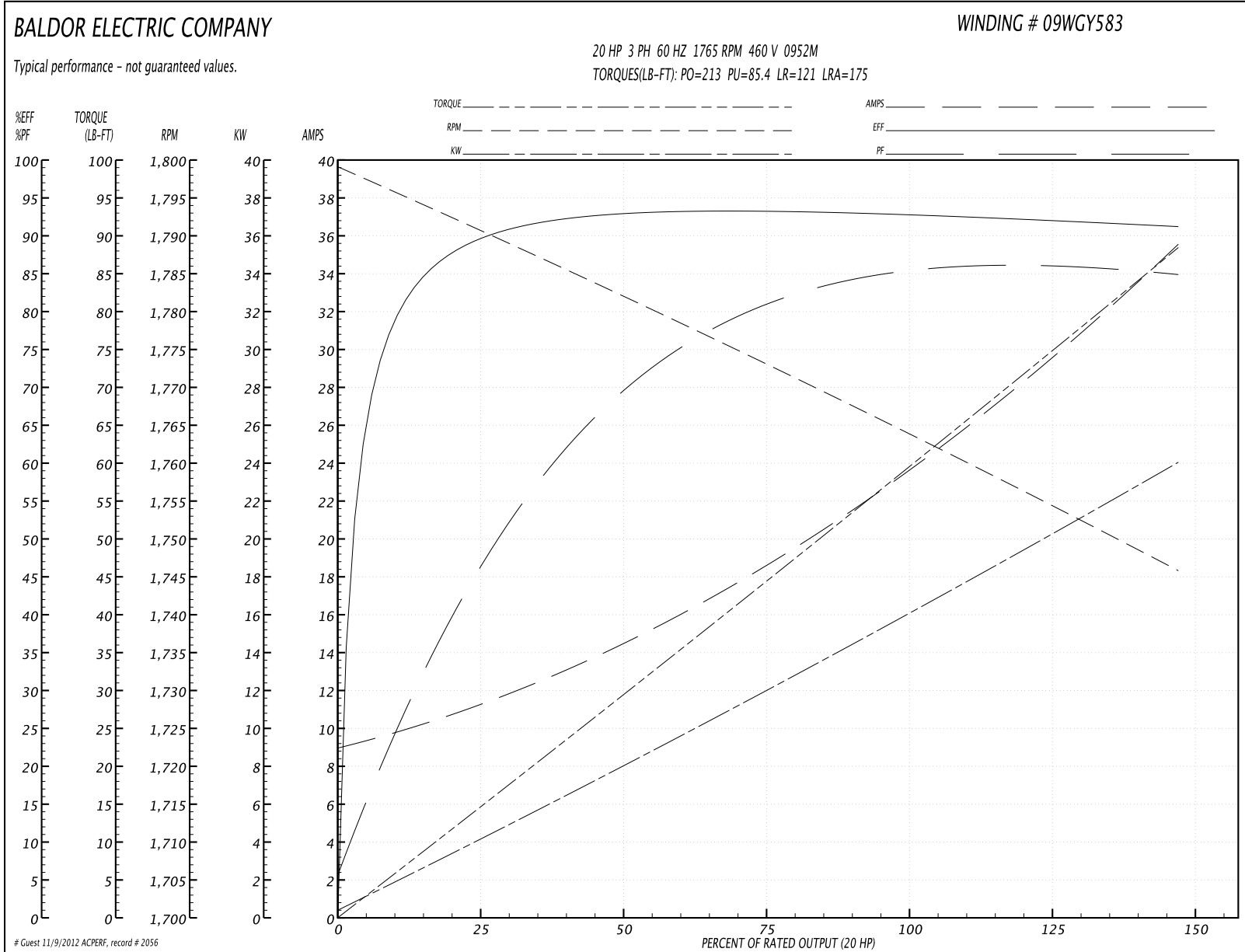
Parts List		
Part Number	Description	Quantity
SA123604	SA 09G604Y583	1.000 EA
RA114089	RA 09G604Y583	1.000 EA
S/P107-000-005	SUPER-E PROC'S(254/6 FR.) ZK PLANT - POL	1.000 EA
09CB1002A13P	KOBX W/1.50 NPT LEAD HL,2.38 MTG HL PATT	1.000 EA
09GS1010	GASKET, DWG, LEADWIRE SEPERATOR	1.000 EA
10XN2520K12	1/4-20 X.75 GRD 5	4.000 EA
HW1001A25	LOCKWASHER 1/4, ZINC PLT .493 OD, .255 I	4.000 EA
HA3400A33	STUD- 3/8-16 X 4.82 HEX WELKER	4.000 EA
WD1000B16	KPA-4C BURNDY TERMINAL	1.000 EA
10XN2520K12	1/4-20 X.75 GRD 5	1.000 EA
HW1001A25	LOCKWASHER 1/4, ZINC PLT .493 OD, .255 I	1.000 EA
HA4051A00	PLASTIC CAP FOR GREASE FITTING	1.000 EA
09FN3001D01SP	EXTERNAL FAN, PLASTIC	1.000 EA
HW2500A25	WOODRUFF KEY USA #1008 #BLOW CARBON STEE	4.000 EA
HW4600B44SP	V-RING SLINGER 1.500 X 2.290 X 0.280	1.000 EA
HW5100A08	W3118-035 WVY WSHR (WB)	1.000 EA
10XN2520K28	1/4-20 X 1.75" HX HD SCRWGRADE 5, ZINC P	2.000 EA
10XN3118K56	5/16-18 X 3.50" HEX HD, GRADE 5	4.000 EA
09EP1505A11P	PU ENDPLATE ENCL 213 BRG 309 254-256LP,	1.000 EA
HA4051A00	PLASTIC CAP FOR GREASE FITTING	1.000 EA
10XN3816K24	3/8-16 X 1.50 HEX HD CAP SCREW, GRADE 5	4.000 EA
HW4600B40	V-RING SLINGER 2.000 X 2.680 X 0.280	1.000 EA
09FH1000A11P	FAN COVER, MACH P-BASE W/EPOXY PRIMER	1.000 EA
HW1001A38	LOCKWASHER 3/8, ZINC PLT .688 OD, .382 I	4.000 EA

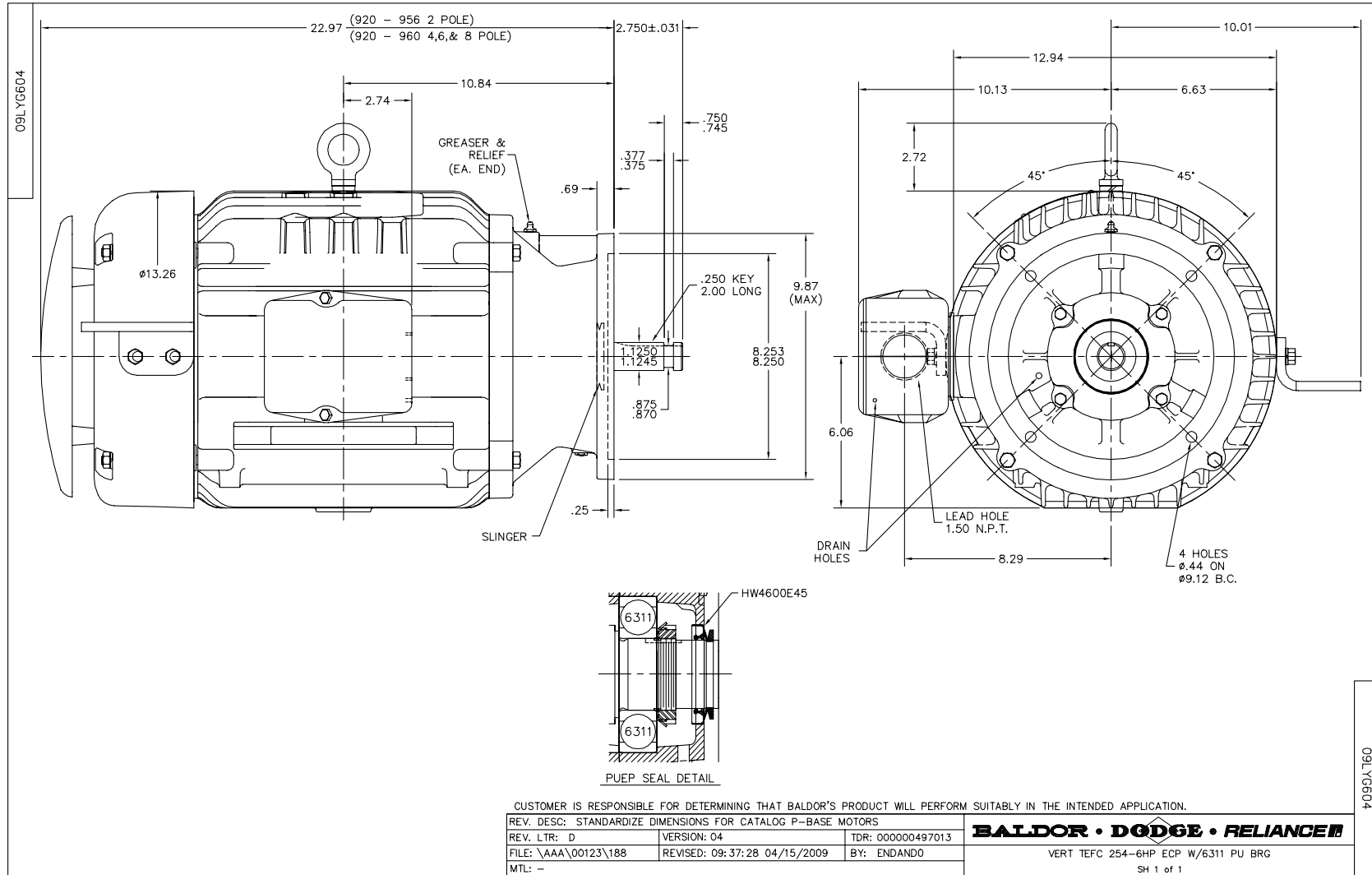
Parts List (continued)		
Part Number	Description	Quantity
HW4600E45	CR#20599 DOUBLE LIP SEAL 2.06 X 3.00 X .	1.000 EA
HW1001A38	LOCKWASHER 3/8, ZINC PLT .688 OD, .382 I	4.000 EA
XY3816A12	3/8-16 FINISHED NUT	4.000 EA
HA6387	SPL EYE BRACKET 309-10 FRCR. STEEL P-BAS	2.000 EA
10XN3816K20	3/8-16 X 1.25 HEX HD CAP GRADE 5	4.000 EA
HW1001A38	LOCKWASHER 3/8, ZINC PLT .688 OD, .382 I	4.000 EA
HW1001A38	LOCKWASHER 3/8, ZINC PLT .688 OD, .382 I	4.000 EA
XY3816A12	3/8-16 FINISHED NUT	4.000 EA
09FH1500A01P	DRIP COVER, MACH W/EPOXY PRIMER	1.000 EA
10XN2520K30	STD.25X20 THD HEX HD CAP SCREW, GRADE 5	4.000 EA
HW1000A25	1/4 SAE FLAT WASHER (FS)	4.000 EA
HW1001A25	LOCKWASHER 1/4, ZINC PLT .493 OD, .255 I	4.000 EA
12CB1503A01P	KOLD MACH, W/LIP & EPOXY PRIMER	1.000 EA
12GS1002	GASKET, CONDUIT BOX LID, NEOP	1.000 EA
10XN3118K16	5/16-18 X 1" GRADE #5, STL, ZINC PLATE	2.000 EA
HW1001A31	LOCKWASHER 5/16, ZINC PLT.591 OD, .319 I	2.000 EA
HW2501E18	KEY, 1/4 SQ X 2.000	1.000 EA
MJ5001A01	46-665 RED SEALER	0.031 QT
LB1115	LABEL,LIFTING DEVICE	1.000 EA
HW4500A05	1669B ALEM/UNIV860 GR FTG X	1.000 EA
HW4500A17	317400 ALEMITE GREASE RELIEF	1.000 EA
MJ1000A75	GREASE, POLYREX EM EXXON	0.080 LB
HW4500A17	317400 ALEMITE GREASE RELIEF	1.000 EA
HW4500A03	GREASE FITTING, .125 NPT 1610(ALEMITE) 8	1.000 EA

Parts List (continued)		
Part Number	Description	Quantity
51XB1214A20	12-14X1.25 HXWSSLD SERTYB	4.000 EA
MG1025N19	PAINT, 778.50 WILKO, RELIANCE ELEC GREEN	0.050 GA
85XU0407S04	4X1/4 U DRIVE PIN STAINLESS	2.000 EA
LB1002	LABEL,MARINE DUTY (ON ROLLS)	1.000 EA
LB5040	INSTRUCTION TAG, AC & DC	1.000 EA
LB1182	WARNING LABEL FOR MOTORS WITH EYENUTS	1.000 EA
PK6014	STEEL STRAP FOR 309-312 BASELESS MOTORS	3.000 EA
19XW3118A08	.31-18 X .50 HEX WASHER HEAD TAPTITE II	3.000 EA
09EP1100A28GP6	ENDPLATE,MACH,PRIMED, W/RELIANCE GREEN	1.000 EA
MJ5001A14	DYNAPRO SEAL, CP MOTORS VC#2508050 (603	0.023 EA
LB1172A01	CUSTOM MTR CARTON LABEL LASER PRINTER	4.000 EA
LC0005E02	SPL CONN.DIA./WARN.LABEL(LC0005/LB1119)	1.000 EA
NP1260E	SS CP SUPER-E UL CSA CC	1.000 EA
40PA1014	PACKAGING GROUP, 09 NO BASE	1.000 EA
LB1357	ENERGY GUIDE LABEL (BOX LABEL)	1.000 SH

Performance Data at 460V, 60Hz, 20.0HP (Typical performance - Not guaranteed values)							
General Characteristics							
Full Load Torque:	59.0 LB-FT			Start Configuration:	DOL		
No-Load Current:	9.41 Amps			Break-Down Torque:	213.0 LB-FT		
Line-line Res. @ 25°C.:	0.426 Ohms A Ph / 0.0 Ohms B Ph			Pull-Up Torque:	85.4 LB-FT		
Temp. Rise @ Rated Load:	60 C			Locked-Rotor Torque:	121.0 LB-FT		
Temp. Rise @ S.F. Load:	74 C			Starting Current:	175.0 Amps		
Load Characteristics							
% of Rated Load	25	50	75	100	125	150	S.F.
Power Factor:	46.0	69.0	80.0	84.0	86.0	87.0	85.0
Efficiency:	89.0	92.8	93.1	93.0	92.2	91.1	92.5
Speed:	1791.0	1783.0	1770.0	1766.0	1756.0	1745.0	1760.0
Line Amperes:	10.7	14.0	19.1	23.7	29.1	35.4	26.94

Performance Graph at 460V, 60Hz, 20.0HP Typical performance - Not guaranteed values

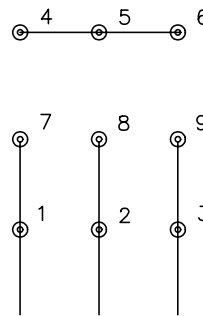




CD0005

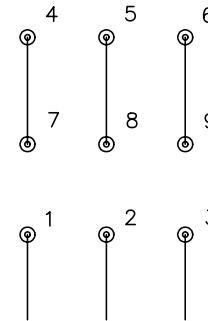


LOW VOLTAGE
(2Y)



LINE

HIGH VOLTAGE
(1Y)



LINE

NOTES:

1. INTERCHANGE ANY TWO LINE LEADS TO REVERSE ROTATION.
2. OPTIONAL THERMOSTATS ARE PROVIDED WHEN SPECIFIED.
3. ACTUAL NUMBER OF INTERNAL PARALLEL CIRCUITS MAY BE A MULTIPLE OF THOSE SHOWN ABOVE.
4. LEAD COLORS ARE OPTIONAL. LEADS MUST ALWAYS BE NUMBERED AS SHOWN.

REV. DESC: REVISE TO SHOW OPTIONAL COLORS			
REV. LTR: E	BY: JLP	REVISED: 01/19/99 10:15	TDR: 0171435
90000		FILE: AAA00005140	MDL: -
		MTL: -	

BALDOR ELECTRIC Co.

3PH, DV, 9 LEADS

CD0005