

BALDOR® • RELIANCE

Product Information Packet

VHM2542T

50HP,3540RPM,3PH,60HZ,324HP,1248M,OPEN,F

Copyright © All product information within this document is subject to Baldor Electric Company copyright © protection, unless otherwise noted.

Part Detail							
Revision:	D	Status:	PRD/A	Change #:		Proprietary:	No
Type:	AC	Prod. Type:	1248M	Elec. Spec:	12WGY177	CD Diagram:	
Enclosure:	OPEN	Mfg Plant:		Mech. Spec:	12E671	Layout:	
Frame:	324HP	Mounting:	F1	Poles:	02	Created Date:	08-18-2009
Base:	N	Rotation:	R	Insulation:	F	Eff. Date:	10-11-2012
Leads:	9#6	Literature:		Elec. Diagram:		Replaced By:	

Nameplate NP1256L									
CAT.NO.	VHM2542T								
SPEC.	12E671Y177								
HP	50								
VOLTS	208-230/460								
AMP	124-114/57								
RPM	3540								
FRAME	324HP	HZ	60	PH	3				
SER.F.	1.15	CODE	G	DES	B	CLASS	F		
NEMA-NOM-EFF	92.4	PF	89						
RATING	40C AMB-CONT								
CC	010A	USABLE AT 208V							
DE	6313	ODE	6311						
ENCL	OPEN	SN							

Parts List		
Part Number	Description	Quantity
SA184979	SA 12E671Y177	1.000 EA
RA172795	RA 12E671Y177	1.000 EA
10CB3000A52	KOBX,MACH W/3.50 MTG PAT, 2.00 NPT, #26	1.000 EA
14GS1000SP	GASKET, CONDUIT BOX	1.000 EA
10XN3118K12	5/16-18 X .75 GRADE 5, ZINC PLATED	4.000 EA
HW1001A31	LOCKWASHER 5/16, ZINC PLT.591 OD, .319 I	4.000 EA
WD1000B16	KPA-4C BURNDY TERMINAL	1.000 EA
51XF2520A08	SCREW, HEX SER SLT HD, ZN 1/4-20 X .50 L	1.000 EA
12EP1205A01	FREP, MACH - 311 BRG	1.000 EA
12AD2000A01	AIR DEFLECTOR	1.000 EA
10XN2520K08	1/4-20 X .50 GRADE #5, STL, ZINC PLATE	3.000 EA
HA4051A00	PLASTIC CAP FOR GREASE FITTING	1.000 EA
10XN5013K64	HEX HD SCREW, 1/2-13X4.00GRADE 5, ZINC P	4.000 EA
HW1001A50	LOCKWASHER 1/2, ZINC PLT,.879 OD, .509 I	4.000 EA
HW5100A13	W4627-047 WVY WSHER	1.000 EA
10XN3816K80	3/8-16 X 5.00 HEX HD CAP SCREW GRADE 5 Z	4.000 EA
HW1001A38	LOCKWASHER 3/8, ZINC PLT .688 OD, .382 I	4.000 EA
12EP1506A02	PUEP, MACH - 313 BRG	1.000 EA
HA4051A00	PLASTIC CAP FOR GREASE FITTING	1.000 EA
HW4500A17	317400 ALEMITE GREASE RELIEF	1.000 EA
10XN5013K44	1/2-13 X 2.75 HEX HD GRADE 5	4.000 EA
HW1001A50	LOCKWASHER 1/2, ZINC PLT,.879 OD, .509 I	4.000 EA
HW4600B42	V-RING SLINGER 2.375 X 3.070 X 0.280	1.000 EA
12FH1501A01	DRIP COVER, MACH	1.000 EA

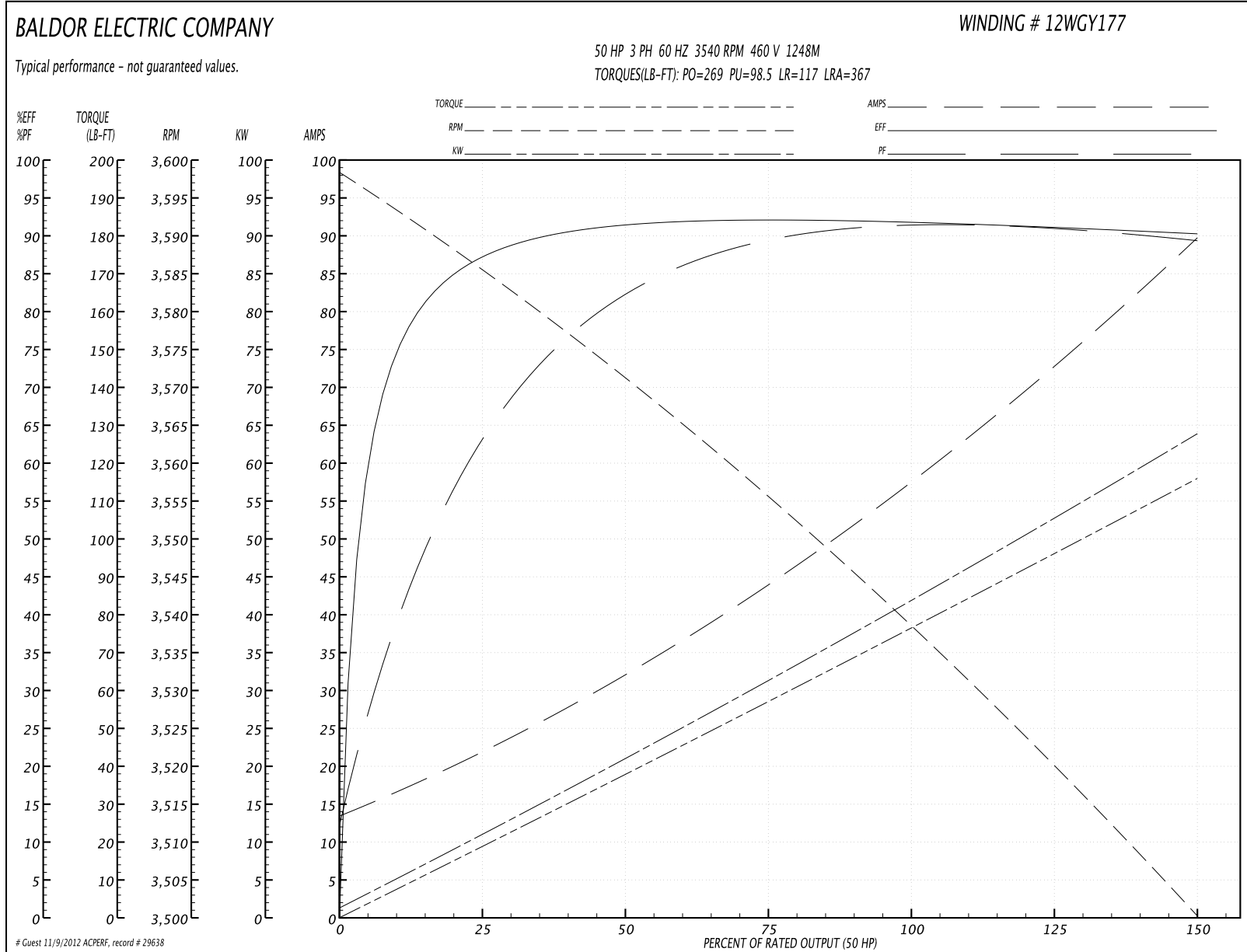
Parts List (continued)		
Part Number	Description	Quantity
HW3201A13	.62-11 EYEBOLT W/2.00 SHANK	2.000 EA
HW1000A62	WASHER, 5/8" FLAT USS	2.000 EA
HW1001A63	WASHER, 5/8 SPLIT LK, ZN	2.000 EA
10CB3500SP	CONDUIT BOX LID, CAST	1.000 EA
10GS1000SP	GASKET, CONDUIT BOX LID	1.000 EA
51XW2520A12	.25-20 X .75, TAPTITE II, HEX WSHR SLTD	4.000 EA
HW1001A25	LOCKWASHER 1/4, ZINC PLT .493 OD, .255 I	4.000 EA
HW2501G32	KEY, 3/8 SQ X 3.750	1.000 EA
HW4500A03	GREASE FITTING, .125 NPT 1610(ALEMITE) 8	1.000 EA
HW4500A17	317400 ALEMITE GREASE RELIEF	1.000 EA
MJ1000A75	GREASE, POLYREX EM EXXON	0.200 LB
HW4500A03	GREASE FITTING, .125 NPT 1610(ALEMITE) 8	1.000 EA
MG1000G27	PAINT- S9282E CHARCOAL GREY	0.080 GA
85XU0407A04	#4-7 X 1/4 DRIVE PIN	2.000 EA
LB1182	WARNING LABEL FOR MOTORS WITH EYENUTS	1.000 EA
LB5040	INSTRUCTION TAG, AC & DC	1.000 EA
LB1119	WARNING LABEL	1.000 EA
LB1125A01	STOCK MTR CARTON LABEL LASER PRINTER	4.000 EA
LC0181	CONNECTION LABEL	1.000 EA
NP1256L	ALUM UL CSA CC	1.000 EA
10PA1020	PKGP BLNK 309 -12 BRK OFF 41-7/8 X 25-1/	1.000 EA

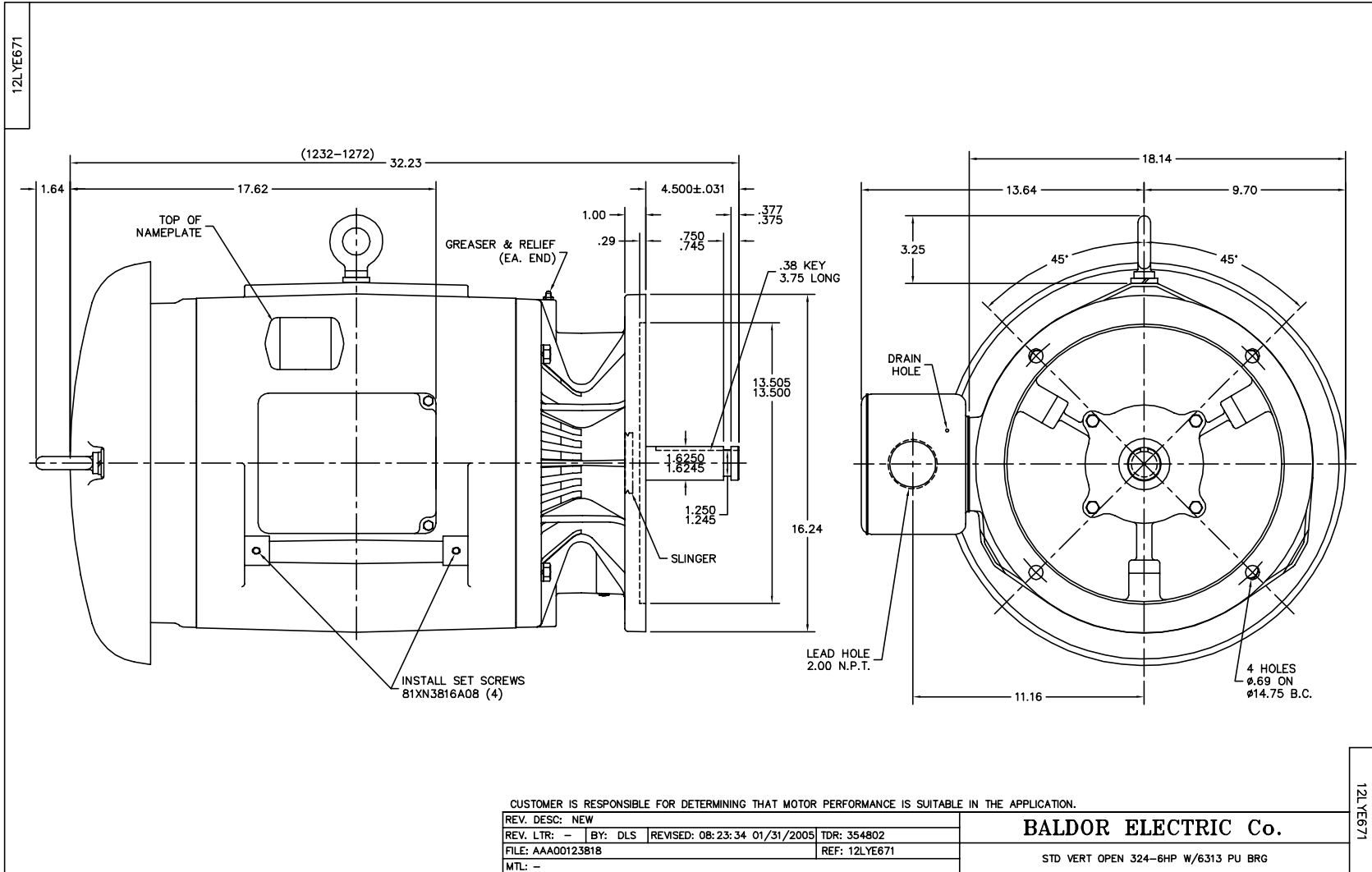
Performance Data at 460V, 60Hz, 50.0HP (Typical performance - Not guaranteed values)

General Characteristics			
Full Load Torque:	74.3 LB-FT	Start Configuration:	DOL
No-Load Current:	14.5 Amps	Break-Down Torque:	269.0 LB-FT
Line-line Res. @ 25°C.:	0.117 Ohms A Ph / 0.0 Ohms B Ph	Pull-Up Torque:	98.5 LB-FT
Temp. Rise @ Rated Load:	74 C	Locked-Rotor Torque:	117.0 LB-FT
Temp. Rise @ S.F. Load:	88 C	Starting Current:	367.0 Amps

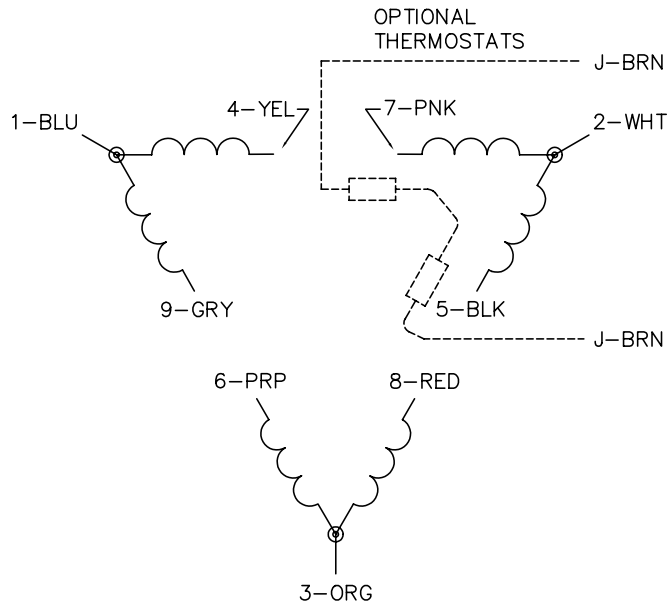
Load Characteristics							
% of Rated Load	25	50	75	100	125	150	S.F.
Power Factor:	67.0	83.0	88.0	90.0	90.0	90.0	90.0
Efficiency:	86.4	91.4	92.7	92.4	91.8	90.6	92.0
Speed:	3585.0	3572.0	3557.0	3541.0	3523.0	3500.0	3530.0
Line Amperes:	20.2	30.9	43.2	56.6	71.0	89.1	65.2

Performance Graph at 460V, 60Hz, 50.0HP Typical performance - Not guaranteed values

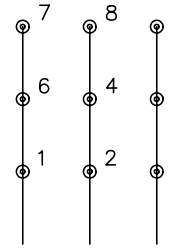




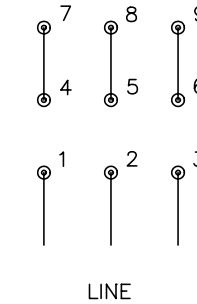
CD0180



LOW VOLTAGE
(2D)



HIGH VOLTAGE
(1D)



NOTES:

1. INTERCHANGE ANY TWO LINE LEADS TO REVERSE ROTATION.
2. OPTIONAL THERMOSTATS ARE PROVIDED WHEN SPECIFIED.
3. ACTUAL NUMBER OF INTERNAL PARALLEL CIRCUITS MAY BE A MULTIPLE OF THOSE SHOWN ABOVE.
4. LEAD COLORS ARE OPTIONAL. LEADS MUST ALWAYS BE NUMBERED AS SHOWN.

REV. DESC: REVISE TO SHOW OPTIONAL COLORS			
REV. LTR: C	BY: JLP	REVISED: 01/21/99 2:28	TDR: 0171435
0810D0		FILE: AAA00005148	MDL: -
		MTL: -	

BALDOR ELECTRIC Co.

3PH, DV, 9 LEADS, DELTA CONNECTION

CD0180