

BALDOR® • **RELIANCE**

Product Information Packet

VL1303

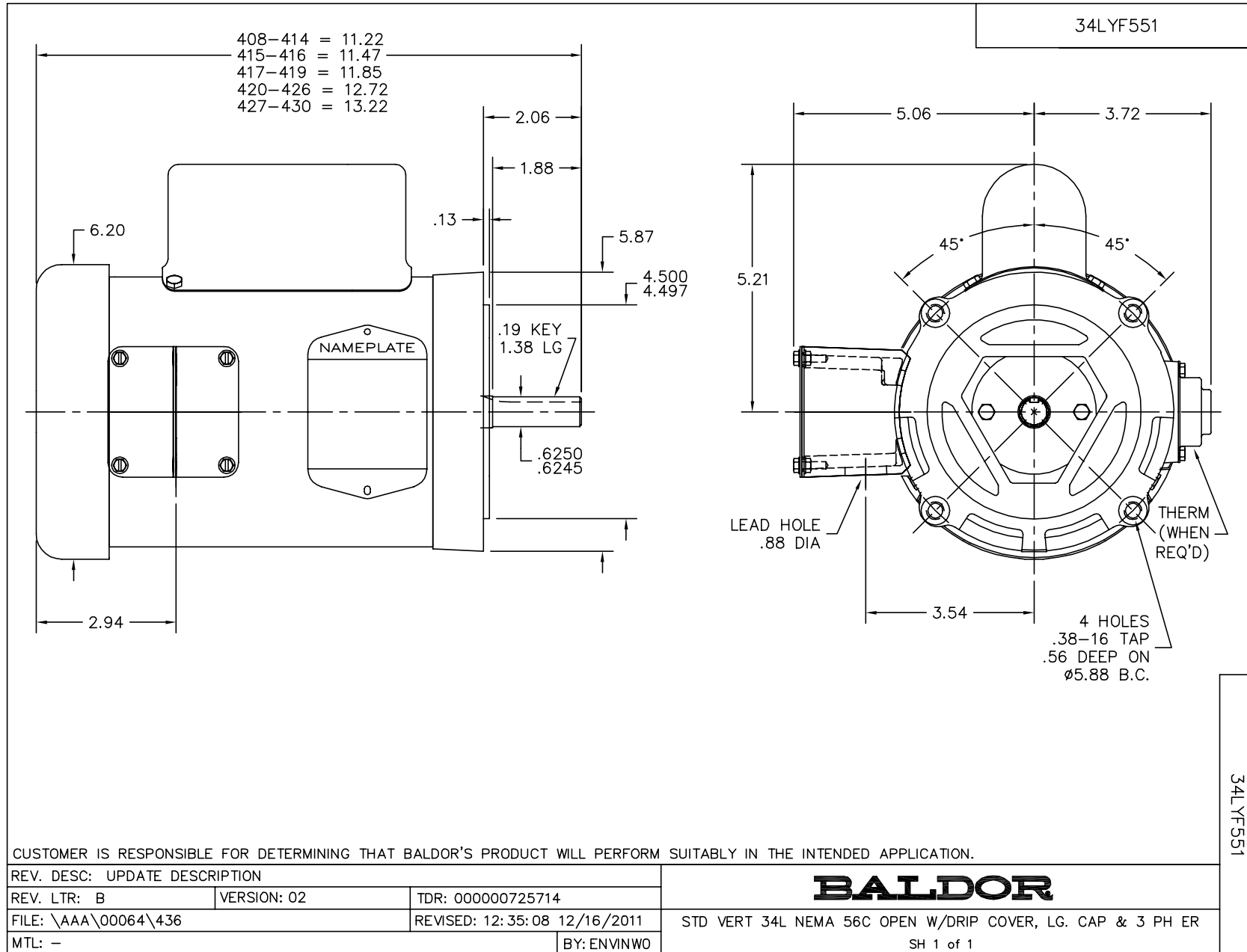
.5HP,3450RPM,1PH,60HZ,56C,3413L,OPEN,F1

Copyright © All product information within this document is subject to Baldor Electric Company copyright © protection, unless otherwise noted.

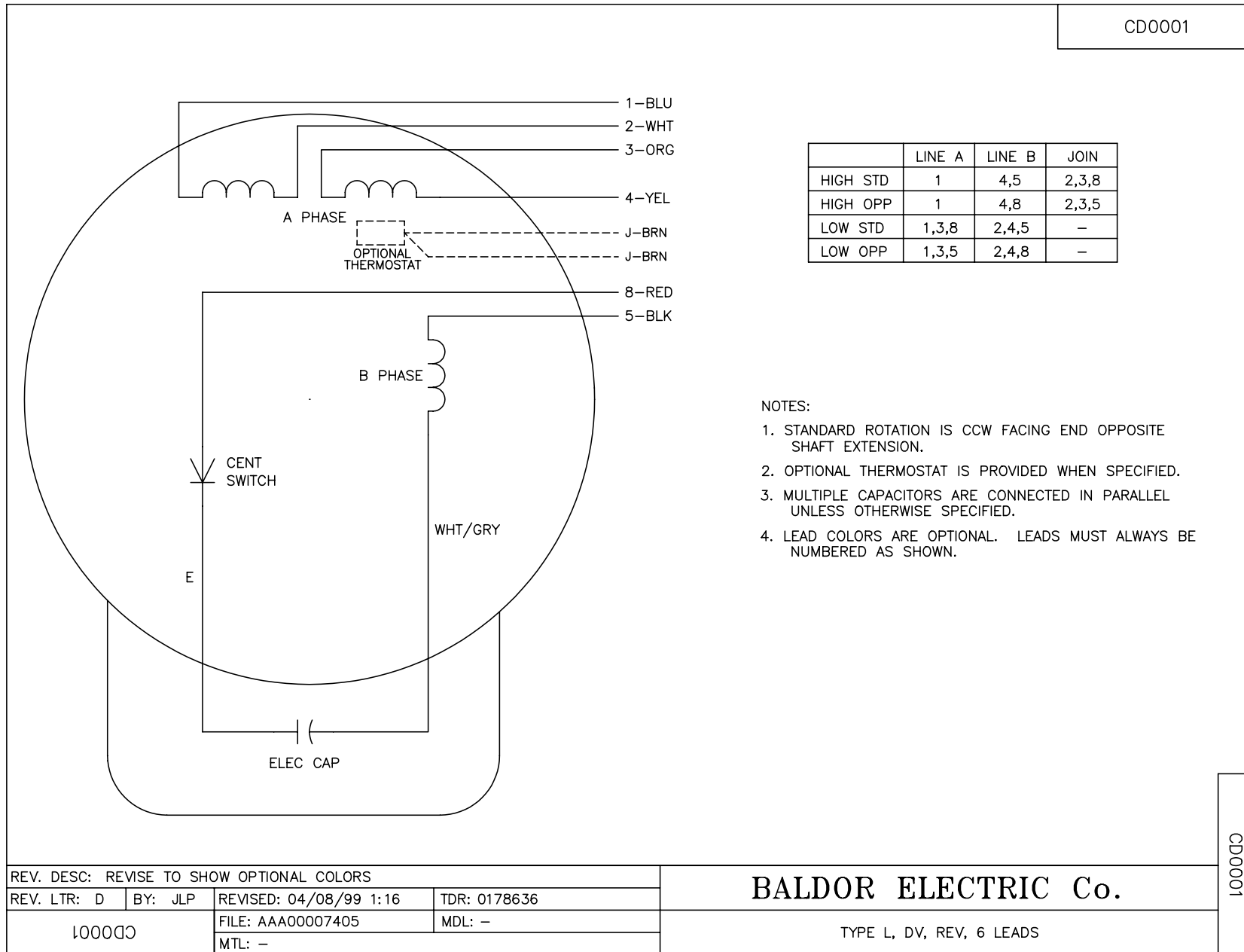
Part Detail									
Revision:	N	Status:	PRD/A	Change #:		Proprietary:	No		
Type:	AC	Prod. Type:	3413L	Elec. Spec:	34WGX716	CD Diagram:			
Enclosure:	OPEN	Mfg Plant:		Mech. Spec:	34F551	Layout:			
Frame:	56C	Mounting:	F1	Poles:	02	Created Date:			
Base:	N	Rotation:	R	Insulation:	B	Eff. Date:	12-05-2011		
Leads:	6#18	Literature:		Elec. Diagram:		Replaced By:			
Nameplate NP1256L									
CAT.NO.	VL1303								
SPEC.	34F551X716								
HP	.5								
VOLTS	115/230								
AMP	7/3.5								
RPM	3450								
FRAME	56C	HZ	60	PH	1				
SER.F.	1.25	CODE	L	DES	N	CLASS	B		
NEMA-NOM-EFF	66	PF	72						
RATING	40C AMB-CONT								
CC				USABLE AT 208V	4.1				
DE	6203	ODE	6203						
ENCL	OPEN	SN							
	SFA 8/4								

Parts List		
Part Number	Description	Quantity
SA047585	SA 34F551X716	1.000 EA
RA042841	RA 34F551X716	1.000 EA
EC1400A03SP	ELEC CAP, 400-480 MFD, 125V, 1.81D X 3.	1.000 EA
NS2512A01	INSULATOR, CONDUIT BOX X	1.000 EA
34CB3002A	CB CAST W/.88 DIA HOLE	1.000 EA
51XB1016A07	10-16 X 7/16 HXWSSLD SERTYB	2.000 EA
11XW1032G06	10-32 X .38, TAPTITE II, HEX WSHR SLTD U	1.000 EA
34EP3210A03SP	FR ENDPLATE, MACH	1.000 EA
SP1006A01	TERM. BOARD, MODE 35 SW X H-23655	1.000 EA
51XW0832A07	8-32 X .44, TAPTITE II, HEX WSHR SLTD SE	2.000 EA
NS2501A01	INSULATOR, CAPACITOR	1.000 EA
51XB1016A05	10-16X5/16HX WA SL SR TYB (F/S)	2.000 EA
HW5100A03SP	WAVY WASHER (W1543-017)	1.000 EA
34EP3401A01SP	PU ENDPLATE, MACH	1.000 EA
34AD2000	BAFFLE PLATE, STAMPED	1.000 EA
51XT0632A06	6-32X3/8 TY23 HXWS SLDSR	4.000 EA
51XN1032A20	10-32 X 1 1/4 HX WS SL SR	2.000 EA
34FH4000A11	DRIP COVER, STAMPED	1.000 EA
51XW1032A06	10-32 X .38, TAPTITE II, HEX WSHR SLTD S	3.000 EA
34CB4517	CB LID 4 MTG HOLES .22 DIA STAMPED, FOR	1.000 EA
51XW0832A07	8-32 X .44, TAPTITE II, HEX WSHR SLTD SE	4.000 EA
HW2501D13SP	KEY, 3/16 SQ X 1.375	1.000 EA
HA7000A04	KEY RETAINER 0.625 DIA SHAFTS	1.000 EA
34GS5003A01	FOAM SLEEVE, ID = 2 1/16" X 4 3/8"	1.000 EA

Parts List (continued)		
Part Number	Description	Quantity
MG1000G27	PAINT- S9282E CHARCOAL GREY	0.014 GA
10XF0440S02	04-40 X 1/8 TYPE F HEX HD STAINLESS STIC	2.000 EA
SP5056A24	MODEL 34 TYPE L STATIONARY SWITCH WITH L	1.000 EA
33CB4800A01	CAPACITOR COVER, STAMPED	1.000 EA
HA3100A12	THRUBOLT 10-32 X 7.375	4.000 EA
LB5040	INSTRUCTION TAG, AC & DC	1.000 EA
LB1125C01	STD (STOCK) CARTON LABEL BALDOR WITH FLA	1.000 EA
LC0001A01	CONN LABEL / WARNING LABEL (LC0001 / LB1	1.000 EA
NP1256L	ALUM UL CSA CC	1.000 EA
34PA1005	PACKING GROUP, BALDOR	1.000 EA
PK3083T	STYROFOAM PACKING CRADLE W/TAPE	1.000 EA



CD0001



CD0001

REV. DESC: REVISE TO SHOW OPTIONAL COLORS			
REV. LTR: D	BY: JLP	REVISED: 04/08/99 1:16	TDR: 0178636
100000		FILE: AAA00007405	MDL: -
		MTL: -	

BALDOR ELECTRIC Co.

TYPE L, DV, REV, 6 LEADS