

BALDOR® • **RELIANCE**

Product Information Packet

VL1321T

1.5HP, 1725RPM, 1PH, 60HZ, 145TC, 3535L, OPEN

Copyright © All product information within this document is subject to Baldor Electric Company copyright © protection, unless otherwise noted.

Part Detail							
Revision:	B	Status:	PRD/A	Change #:		Proprietary:	No
Type:	AC	Prod. Type:	3535L	Elec. Spec:	35WGW029	CD Diagram:	
Enclosure:	OPEN	Mfg Plant:		Mech. Spec:	35DD005	Layout:	
Frame:	145TC	Mounting:	F1	Poles:	04	Created Date:	12-22-2009
Base:	N	Rotation:	R	Insulation:	B	Eff. Date:	10-28-2011
Leads:	4#14 A PH,2#18 B PH	Literature:		Elec. Diagram:		Replaced By:	

Nameplate NP1256L

CAT.NO.	VL1321T						
SPEC.	35DD005W029						
HP	1.5						
VOLTS	115/230						
AMP	21/10.5						
RPM	1725						
FRAME	145TC	HZ	60	PH	1		
SER.F.	1.15	CODE	M	DES	L	CLASS	B
NEMA-NOM-EFF	70	PF	64				
RATING	40C AMB-CONT						
CC		USABLE AT 208V	11				
DE	6205	ODE	6203				
ENCL	OPEN	SN					

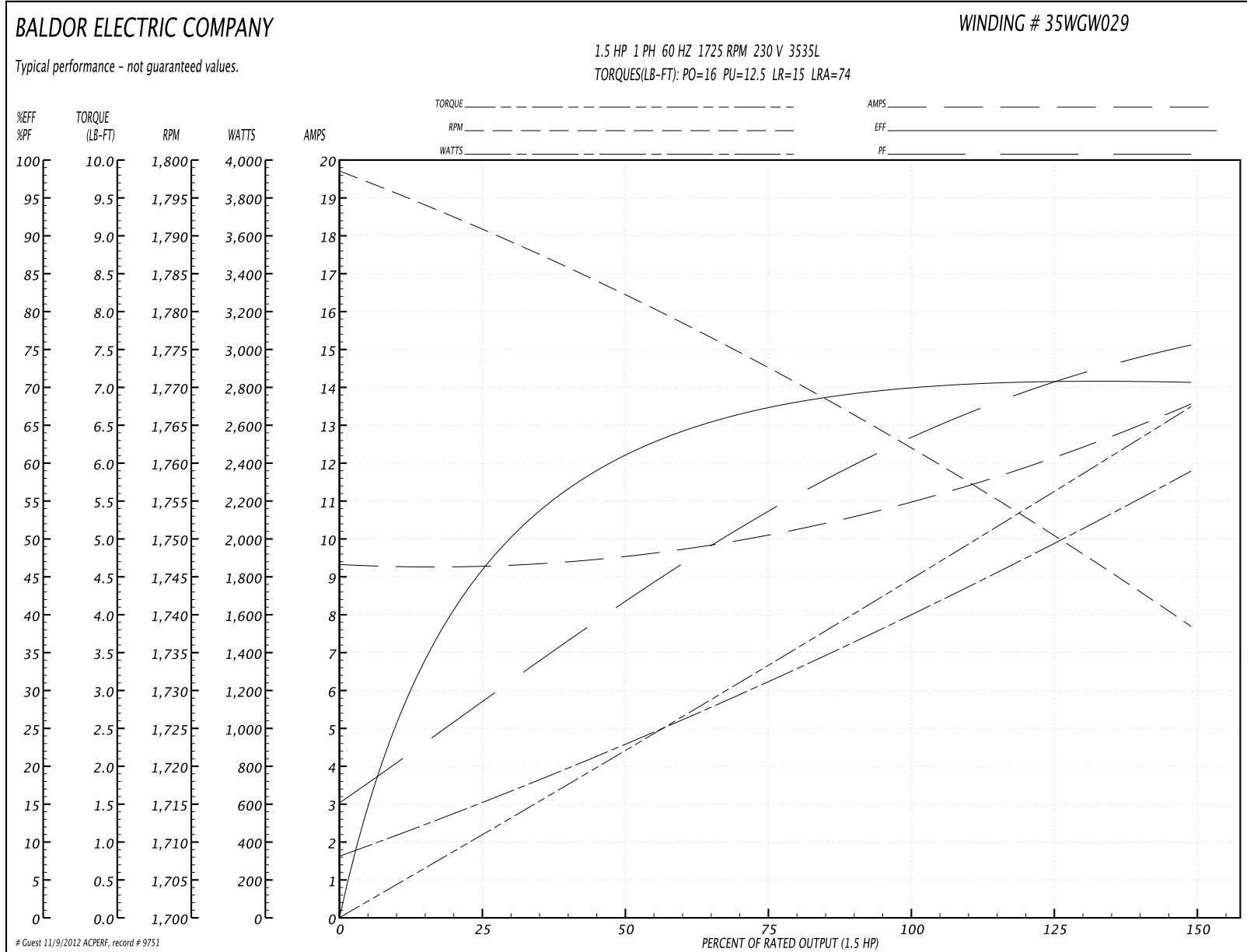
Parts List		
Part Number	Description	Quantity
SA189060	SA 35DD005W029	1.000 EA
RA176779	RA 35DD005W029	1.000 EA
EC1645A06SP	ELEC CAP, 645-774 MFD, 125V, 2.06D X 4.	1.000 EA
NS2512A01	INSULATOR, CONDUIT BOX X	1.000 EA
35CB3009	35 CB CASTING W/1.09 DIA. LEAD HOLE @ 6:	1.000 EA
51XB1016A07	10-16 X 7/16 HXWSSLD SERTYB	2.000 EA
11XW1032G06	10-32 X .38, TAPTITE II, HEX WSHR SLTD U	1.000 EA
35EP3201A02	FR ENDPLATE, MACH	1.000 EA
HW4500A01	1641B(ALEMITE)400 UNIV, GREASE FITT	1.000 EA
SP1006A01	TERM. BOARD, MODE 35 SW X H-23655	1.000 EA
51XW0832A07	8-32 X .44, TAPTITE II, HEX WSHR SLTD SE	2.000 EA
NS2501A01	INSULATOR, CAPACITOR	1.000 EA
35CB4802A02SP	CAPACITOR COVER, STAMPED X W/AUTOPHORET	1.000 EA
51XB1016A05	10-16X5/16HX WA SL SR TYB (F/S)	2.000 EA
HW5100A03SP	WAVY WASHER (W1543-017)	1.000 EA
35EP3400A14	SPL FACE MTD END PLATE - OPEN-143-5TC-05	1.000 EA
35AD2000	AIR BAFFLE	1.000 EA
60XW0632A06	6-32 X 3/8 TORX HEAD SCREW TAPTITE II	4.000 EA
HW4500A01	1641B(ALEMITE)400 UNIV, GREASE FITT	1.000 EA
51XN1032A20	10-32 X 1 1/4 HX WS SL SR	2.000 EA
35FN3002A05SP	EXFN, PLASTIC, 6.376 OD, .638 ID	1.000 EA
51XB1214A16	12-14X1.00 HXWSSLD SERTYB	1.000 EA
35FH4006A04	DRIP COVER SPECIAL, W/ AUTOPHERETIC PRIM	1.000 EA
51XW1032A06	10-32 X .38, TAPTITE II, HEX WSHR SLTD S	3.000 EA

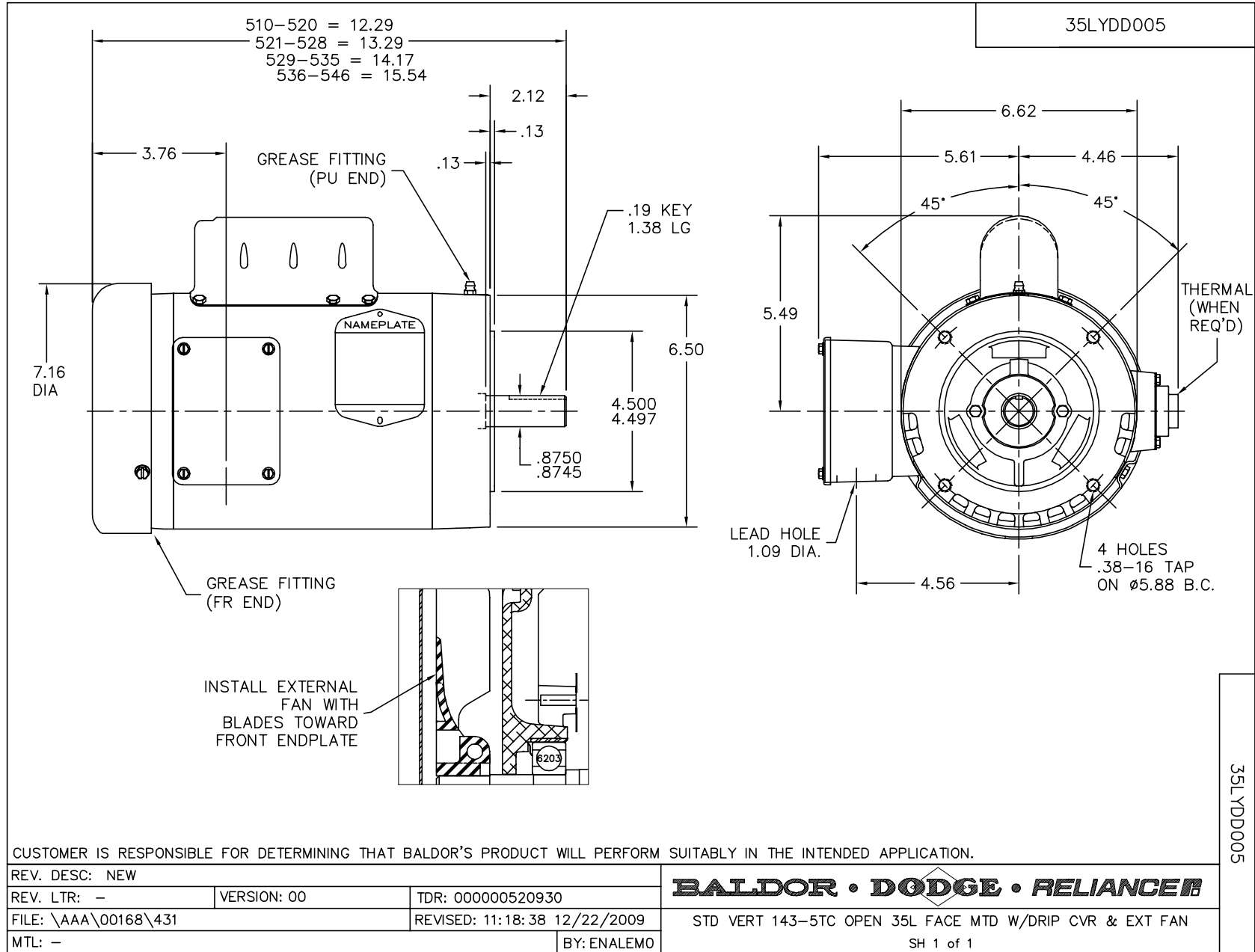
Parts List (continued)		
Part Number	Description	Quantity
35CB4521	35 LIPPED CB LID (GALV & PHOSPH)	1.000 EA
51XW0832A07	8-32 X .44, TAPTITE II, HEX WSHR SLTD SE	4.000 EA
HW2501D13SP	KEY, 3/16 SQ X 1.375	1.000 EA
HA7000A01	KEY RETAINER 7/8" DIA SHAFT	1.000 EA
85XU0407S04	4X1/4 U DRIVE PIN STAINLESS	2.000 EA
WD1000A15	3-520132-2 AMP FLAG (4M/RL NON-CANC/NON-	1.000 EA
MJ1000A75	GREASE, POLYREX EM EXXON	0.050 LB
MG1000G27	PAINT- S9282E CHARCOAL GREY	0.017 GA
SP5055A67	MODEL 35 TYPE L STATIONARY SWITCH	1.000 EA
HA3100A18	THRUBOLT 10-32 X 9.250	4.000 EA
LB1125C01	STD (STOCK) CARTON LABEL BALDOR WITH FLA	1.000 EA
LC0001A01	CONN LABEL / WARNING LABEL (LC0001 / LB1	1.000 EA
NP1256L	ALUM UL CSA CC	1.000 EA
35PA1066	PACKING GROUP COMBINED PRINT	1.000 EA
PK3082	STYROFOAM CRADLE	1.000 EA

Performance Data at 230V, 60Hz, 1.5HP (Typical performance - Not guaranteed values)

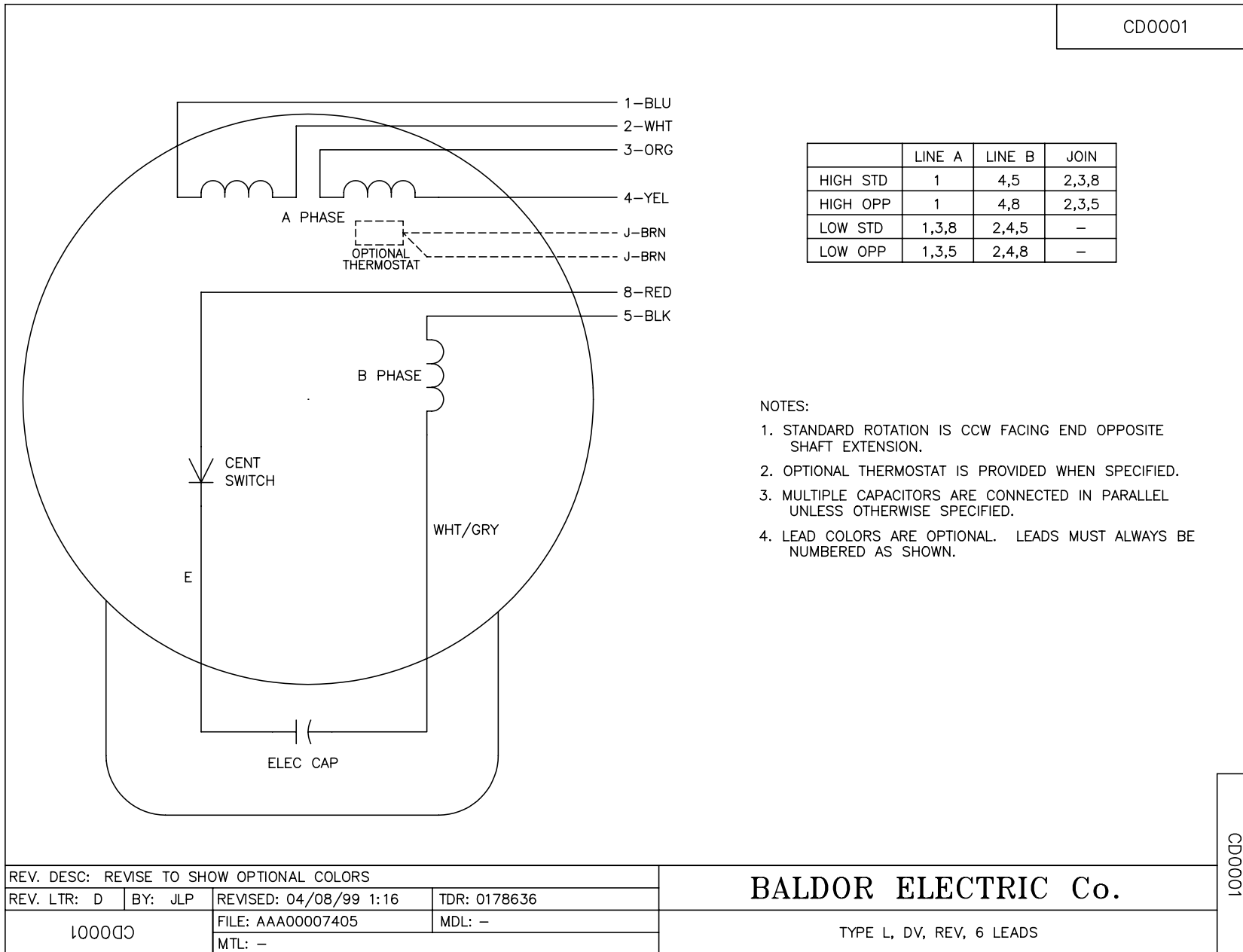
General Characteristics							
Full Load Torque:	4.5 LB-FT			Start Configuration:	DOL		
No-Load Current:	9.3 Amps			Break-Down Torque:	16.0 LB-FT		
Line-line Res. @ 25°C.:	1.3 Ohms A Ph / 1.09 Ohms B Ph			Pull-Up Torque:	12.5 LB-FT		
Temp. Rise @ Rated Load:	60 C			Locked-Rotor Torque:	15.0 LB-FT		
Temp. Rise @ S.F. Load:	66 C			Starting Current:	74.0 Amps		
Load Characteristics							
% of Rated Load	25	50	75	100	125	150	S.F.
Power Factor:	29.0	42.0	54.0	64.0	71.0	76.0	68.0
Efficiency:	46.3	60.8	67.7	70.1	71.0	70.5	70.6
Speed:	1790.0	1782.0	1772.0	1762.0	1751.0	1738.0	1755.0
Line Amperes:	9.3	9.6	10.1	11.0	12.1	13.6	11.66

Performance Graph at 230V, 60Hz, 1.5HP Typical performance - Not guaranteed values





CD0001



NOTES:

1. STANDARD ROTATION IS CCW FACING END OPPOSITE SHAFT EXTENSION.
2. OPTIONAL THERMOSTAT IS PROVIDED WHEN SPECIFIED.
3. MULTIPLE CAPACITORS ARE CONNECTED IN PARALLEL UNLESS OTHERWISE SPECIFIED.
4. LEAD COLORS ARE OPTIONAL. LEADS MUST ALWAYS BE NUMBERED AS SHOWN.

CD0001

REV. DESC: REVISE TO SHOW OPTIONAL COLORS			
REV. LTR: D	BY: JLP	REVISED: 04/08/99 1:16	TDR: 0178636
100000		FILE: AAA00007405	MDL: -
		MTL: -	

BALDOR ELECTRIC Co.

TYPE L, DV, REV, 6 LEADS