

# **BALDOR® • RELIANCE**

## **Product Information Packet**

### **VL3509**

**1HP,3450RPM,1PH,60HZ,56C,3520L,TEFC,F1**

Copyright © All product information within this document is subject to Baldor Electric Company copyright © protection, unless otherwise noted.

Part Detail							
Revision:	AB	Status:	PRD/A	Change #:		Proprietary:	No
Type:	AC	Prod. Type:	3520L	Elec. Spec:	35WGX964	CD Diagram:	
Enclosure:	TEFC	Mfg Plant:		Mech. Spec:	35C013	Layout:	
Frame:	56C	Mounting:	F1	Poles:	02	Created Date:	06-21-2007
Base:	N	Rotation:	R	Insulation:	B	Eff. Date:	04-27-2012
Leads:	4#16 A PH,2#18 B PH	Literature:		Elec. Diagram:		Replaced By:	

**Nameplate NP1256L**

CAT.NO.	VL3509						
SPEC.	35C013X964						
HP	1						
VOLTS	115/230						
AMP	11.8/5.9						
RPM	3450						
FRAME	56C	HZ	60	PH	1		
SER.F.	1.25	CODE	K	DES	N	CLASS	B
NEMA-NOM-EFF	68	PF	82				
RATING	40C AMB-CONT						
CC		USABLE AT 208V	6.1				
DE	6205	ODE	6203				
ENCL	TEFC	SN					
	SFA 14/7						

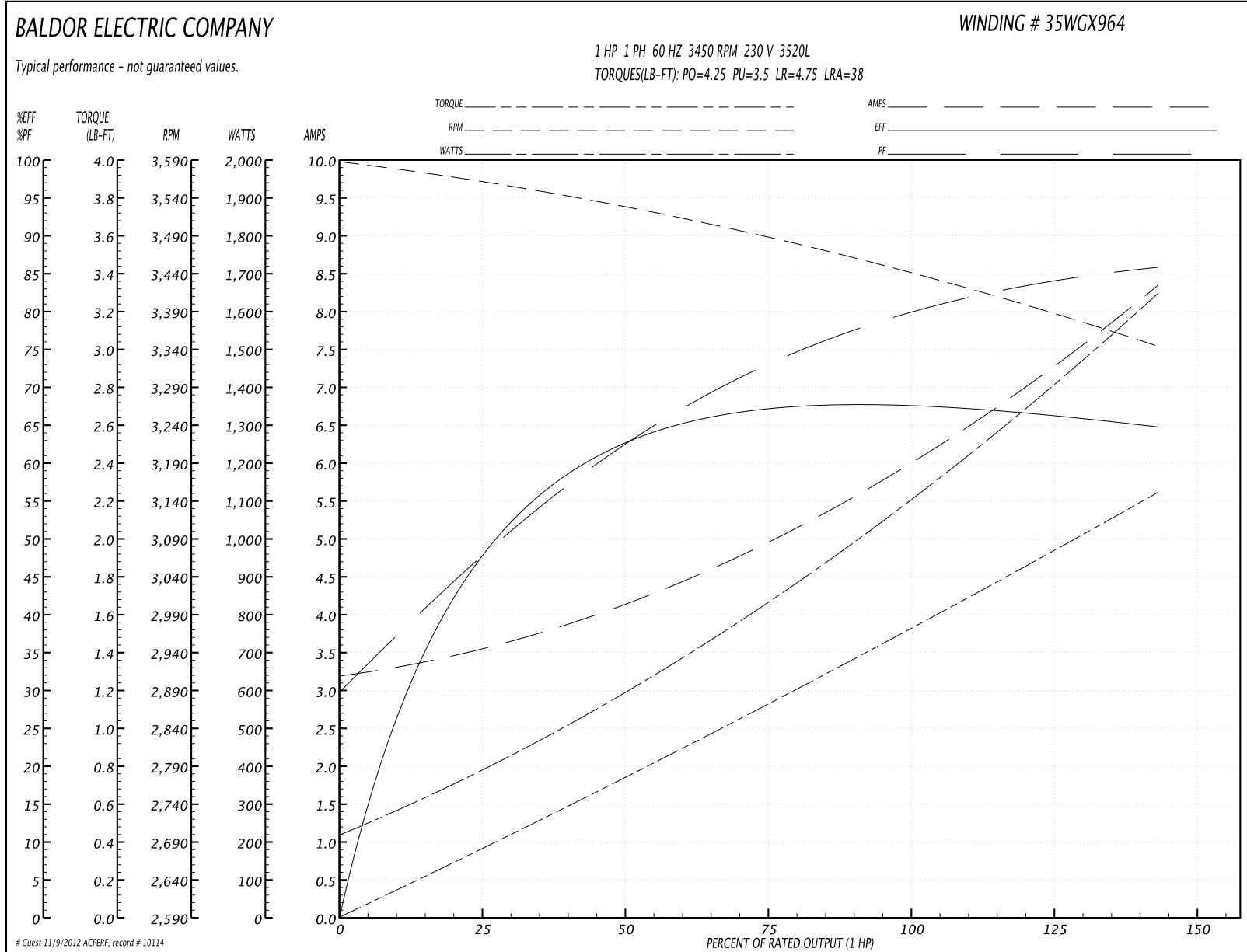
Parts List		
Part Number	Description	Quantity
SA040464	SA 35C013X964	1.000 EA
RA036350	RA 35C013X964	1.000 EA
EC1645A06SP	ELEC CAP, 645-774 MFD, 125V, 2.06D X 4.	1.000 EA
NS2512A01	INSULATOR, CONDUIT BOX X	1.000 EA
35CB3007	35 CB CASTING W/.88 DIA. LEAD HOLE	1.000 EA
36GS1000SP	GASKET-CONDUIT BOX, .06 THICK #SV-330 LE	1.000 EA
51XB1016A07	10-16 X 7/16 HXWSSLD SERTYB	2.000 EA
11XW1032G06	10-32 X .38, TAPTITE II, HEX WSHR SLTD U	1.000 EA
35EP3100M02	FREP TEFC 203 BRG W/O GRSR (RAISED FH MT	1.000 EA
51XW0832A07	8-32 X .44, TAPTITE II, HEX WSHR SLTD SE	2.000 EA
NS2501A01	INSULATOR, CAPACITOR	1.000 EA
51XB1016A05	10-16X5/16HX WA SL SR TYB (F/S)	2.000 EA
HW5100A03SP	WAVY WASHER (W1543-017)	1.000 EA
35EP3300A33	SPL FACE MTD EP -ENCL-205 BRG	1.000 EA
51XN1032A20	10-32 X 1 1/4 HX WS SL SR	2.000 EA
35FN3002A05SP	EXFN, PLASTIC, 6.376 OD, .638 ID	1.000 EA
51XB1214A16	12-14X1.00 HXWSSLD SERTYB	1.000 EA
35FH4005A32SP	IEC FH NO GRSR W/3 HOLES - W/AUTOPHERETI	1.000 EA
51XW1032A06	10-32 X .38, TAPTITE II, HEX WSHR SLTD S	3.000 EA
35CB4521	35 LIPPED CB LID (GALV & PHOSPH)	1.000 EA
35GS1030	35 GS FOR CB LID - LEXIDE	1.000 EA
51XW0832A07	8-32 X .44, TAPTITE II, HEX WSHR SLTD SE	4.000 EA
HW2501D13SP	KEY, 3/16 SQ X 1.375	1.000 EA
HA7000A04	KEY RETAINER 0.625 DIA SHAFTS	1.000 EA

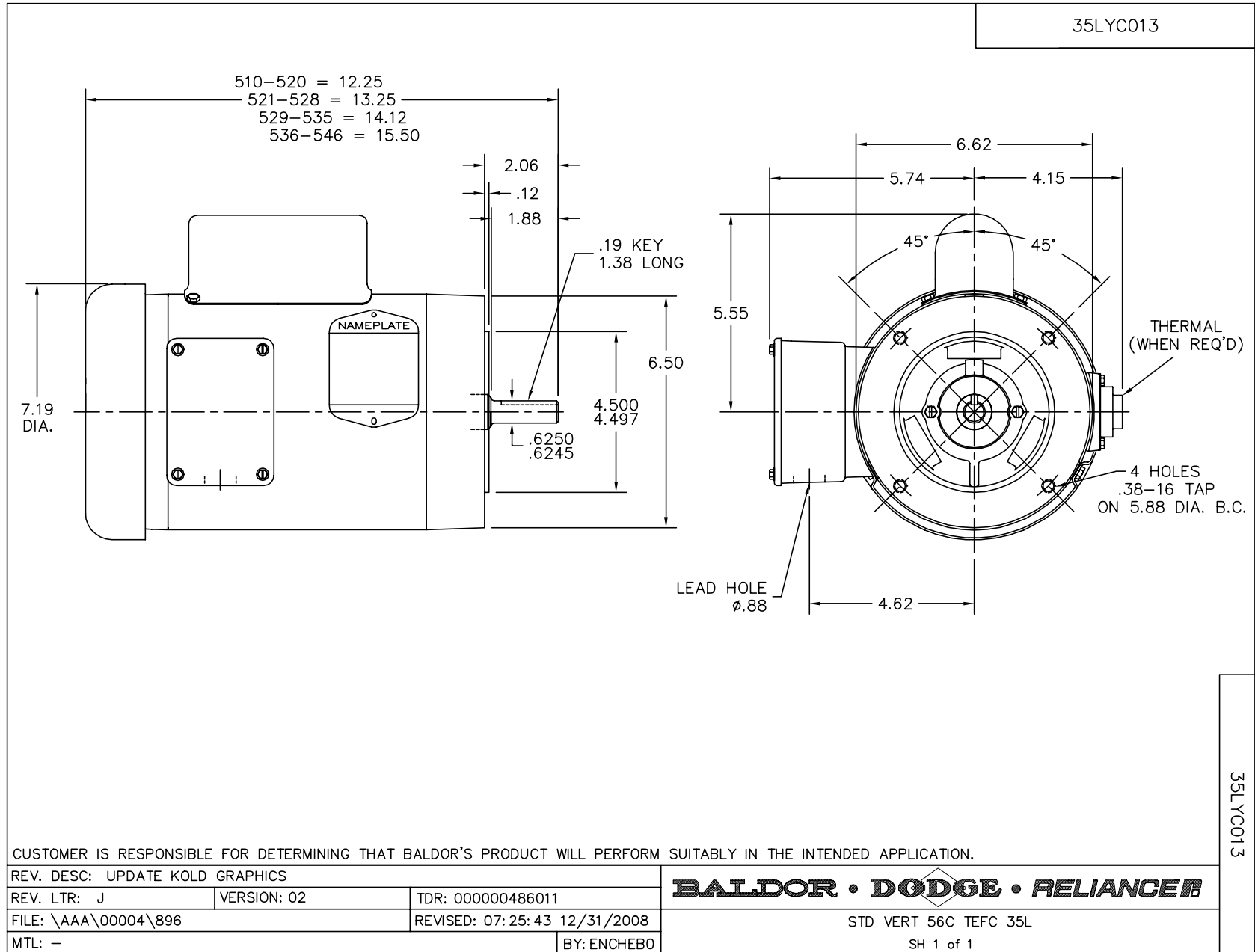
Parts List (continued)		
Part Number	Description	Quantity
85XU0407S04	4X1/4 U DRIVE PIN STAINLESS	2.000 EA
WD1000A15	3-520132-2 AMP FLAG (4M/RL NON-CANC/NON-	2.000 EA
MJ1000A75	GREASE, POLYREX EM EXXON	0.050 LB
MG1000G27	PAINT- S9282E CHARCOAL GREY	0.017 GA
SP5055A67	MODEL 35 TYPE L STATIONARY SWITCH	1.000 EA
35CB4802A02SP	CAPACITOR COVER, STAMPED X W/AUTOPHORET	1.000 EA
35GS3001A02	GASKET, CA.COVER, 5.38 LONG .06 CS301	1.000 EA
HA3100A12	THRUBOLT 10-32 X 7.375	4.000 EA
LB1125C01	STD (STOCK) CARTON LABEL BALDOR WITH FLA	1.000 EA
LC0001A01	CONN LABEL / WARNING LABEL (LC0001 / LB1	1.000 EA
NP1256L	ALUM UL CSA CC	1.000 EA
35PA1066	PACKING GROUP COMBINED PRINT	1.000 EA
PK3082	STYROFOAM CRADLE	1.000 EA

**Performance Data at 230V, 60Hz, 1.0HP (Typical performance - Not guaranteed values)**

General Characteristics							
Full Load Torque:	1.5 LB-FT			Start Configuration:	DOL		
No-Load Current:	3.2 Amps			Break-Down Torque:	4.25 LB-FT		
Line-line Res. @ 25°C.:	2.0 Ohms A Ph / 1.77 Ohms B Ph			Pull-Up Torque:	3.5 LB-FT		
Temp. Rise @ Rated Load:	72 C			Locked-Rotor Torque:	4.75 LB-FT		
Temp. Rise @ S.F. Load:	90 C			Starting Current:	38.0 Amps		
Load Characteristics							
% of Rated Load	25	50	75	100	125	150	S.F.
Power Factor:	47.0	64.0	72.0	80.0	84.0	86.0	84.0
Efficiency:	50.0	61.0	67.0	68.0	67.0	64.5	67.0
Speed:	3560.0	3525.0	3485.0	3450.0	3400.0	3340.0	3400.0
Line Amperes:	3.5	4.2	5.0	5.9	7.0	8.4	7.0

Performance Graph at 230V, 60Hz, 1.0HP Typical performance - Not guaranteed values





CD0001



REV. DESC: REVISE TO SHOW OPTIONAL COLORS			
REV. LTR: D	BY: JLP	REVISED: 04/08/99 1:16	TDR: 0178636
100000		FILE: AAA00007405	MDL: -
		MTL: -	

**BALDOR ELECTRIC Co.**

TYPE L, DV, REV, 6 LEADS

CD0001