

BALDOR® • RELIANCE

Product Information Packet

VL3509A

1HP,3450RPM,1PH,60HZ,56C,3524L,TEFC,F1

Copyright © All product information within this document is subject to Baldor Electric Company copyright © protection, unless otherwise noted.

Part Detail										
Revision:	AV	Status:	PRD/A	Change #:		Proprietary:	No			
Type:	AC	Prod. Type:	3524L	Elec. Spec:	35WG0498	CD Diagram:				
Enclosure:	TEFC	Mfg Plant:		Mech. Spec:	35C013	Layout:				
Frame:	56C	Mounting:	F1	Poles:	02	Created Date:	06-21-2007			
Base:	N	Rotation:	R	Insulation:	B	Eff. Date:	04-27-2012			
Leads:	4#16 A&J,2#18 B PH,1#	Literature:		Elec. Diagram:		Replaced By:				
Nameplate NP1257L										
CAT.NO.	VL3509A									
SPEC.	35C13-498									
HP	1									
VOLTS	115/230									
AMP	12/6									
RPM	3450									
FRAME	56C	HZ				60	PH	1		
SER.F.	1.25	CODE				K	DES	N	CL	B
NEMA-NOM-EFF	66	PF				81				
RATING	40C AMB-CONT									
CC					USABLE AT 208V					
DE	6205	ODE				6203				
ENCL	TEFC	SN								
	SFA 14.4/7.2									

Parts List		
Part Number	Description	Quantity
SA022568	SA 35C13-498	1.000 EA
RA018618	RA 35C13-498	1.000 EA
EC1645A06SP	ELEC CAP, 645-774 MFD, 125V, 2.06D X 4.	1.000 EA
TP5059	GENERIC THERMAL KIT	1.000 EA
NS2512A01	INSULATOR, CONDUIT BOX X	1.000 EA
35CB3007	35 CB CASTING W/.88 DIA. LEAD HOLE	1.000 EA
36GS1000SP	GASKET-CONDUIT BOX, .06 THICK #SV-330 LE	1.000 EA
51XB1016A07	10-16 X 7/16 HXWSSLD SERTYB	2.000 EA
11XW1032G06	10-32 X .38, TAPTITE II, HEX WSHR SLTD U	1.000 EA
35EP3100M02	FREP TEFC 203 BRG W/O GR SR (RAISED FH MT	1.000 EA
51XW0832A07	8-32 X .44, TAPTITE II, HEX WSHR SLTD SE	2.000 EA
NS2501A01	INSULATOR, CAPACITOR	1.000 EA
51XB1016A05	10-16X5/16HX WA SL SR TYB (F/S)	2.000 EA
HW5100A03SP	WAVY WASHER (W1543-017)	1.000 EA
35EP3300A33	SPL FACE MTD EP -ENCL-205 BRG	1.000 EA
51XN1032A20	10-32 X 1 1/4 HX WS SL SR	2.000 EA
35FN3002A05SP	EXFN, PLASTIC, 6.376 OD, .638 ID	1.000 EA
51XB1214A16	12-14X1.00 HXWSSLD SERTYB	1.000 EA
35FH4005A32SP	IEC FH NO GR SR W/3 HOLES - W/AUTOPHERETI	1.000 EA
51XW1032A06	10-32 X .38, TAPTITE II, HEX WSHR SLTD S	3.000 EA
35CB4521GX	CONDUIT BOX LID KIT	1.000 EA
51XW0832A07	8-32 X .44, TAPTITE II, HEX WSHR SLTD SE	4.000 EA
HW2501D13SP	KEY, 3/16 SQ X 1.375	1.000 EA
HA7000A04	KEY RETAINER 0.625 DIA SHAFTS	1.000 EA

Parts List (continued)		
Part Number	Description	Quantity
85XU0407S04	4X1/4 U DRIVE PIN STAINLESS	2.000 EA
WD1000A15	3-520132-2 AMP FLAG (4M/RL NON-CANC/NON-	2.000 EA
MJ1000A75	GREASE, POLYREX EM EXXON	0.050 LB
MG1000G27	PAINT- S9282E CHARCOAL GREY	0.017 GA
SP5055A67	MODEL 35 TYPE L STATIONARY SWITCH	1.000 EA
35CB4802A02SP	CAPACITOR COVER, STAMPED X W/AUTOPHORET	1.000 EA
35GS3001A02	GASKET, CA.COVER, 5.38 LONG .06 CS301	1.000 EA
HA3100A15	THRUBOLT 10-32 X 8.375	4.000 EA
LB1118	LABEL,WARNING (ROLL LABEL)	1.000 EA
LB1125C01	STD (STOCK) CARTON LABEL BALDOR WITH FLA	1.000 EA
LC0008	1PH,DV,7-LEAD,THERMAL,CONNECTION DIAGRAM	1.000 EA
NP1257L	ALUM UL CSA CC THERMAL REV MTG	1.000 EA
35PA1066	PACKING GROUP COMBINED PRINT	1.000 EA
PK3082	STYROFOAM CRADLE	1.000 EA

Performance Data at 230V, 60Hz, 1.0HP (Typical performance - Not guaranteed values)

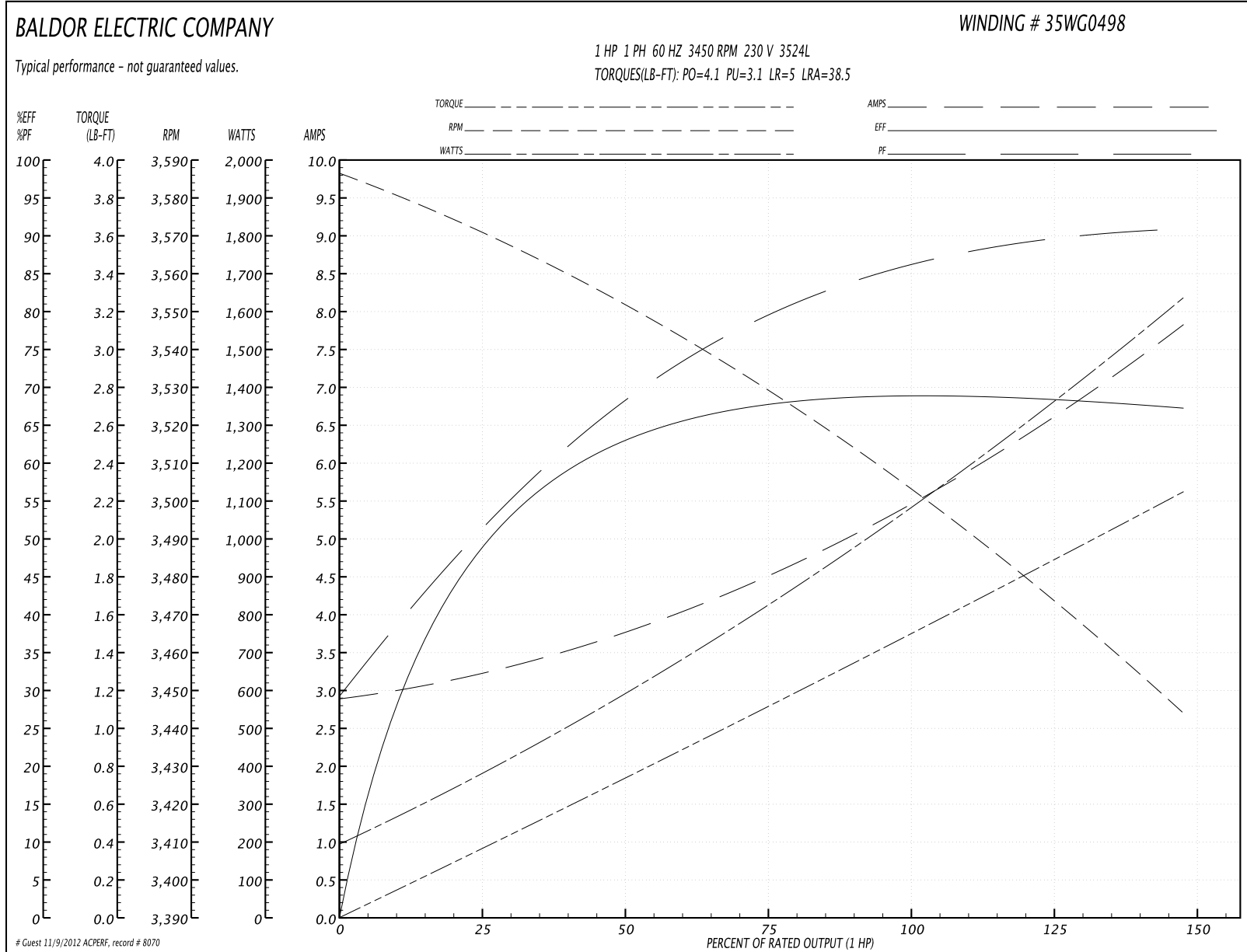
General Characteristics

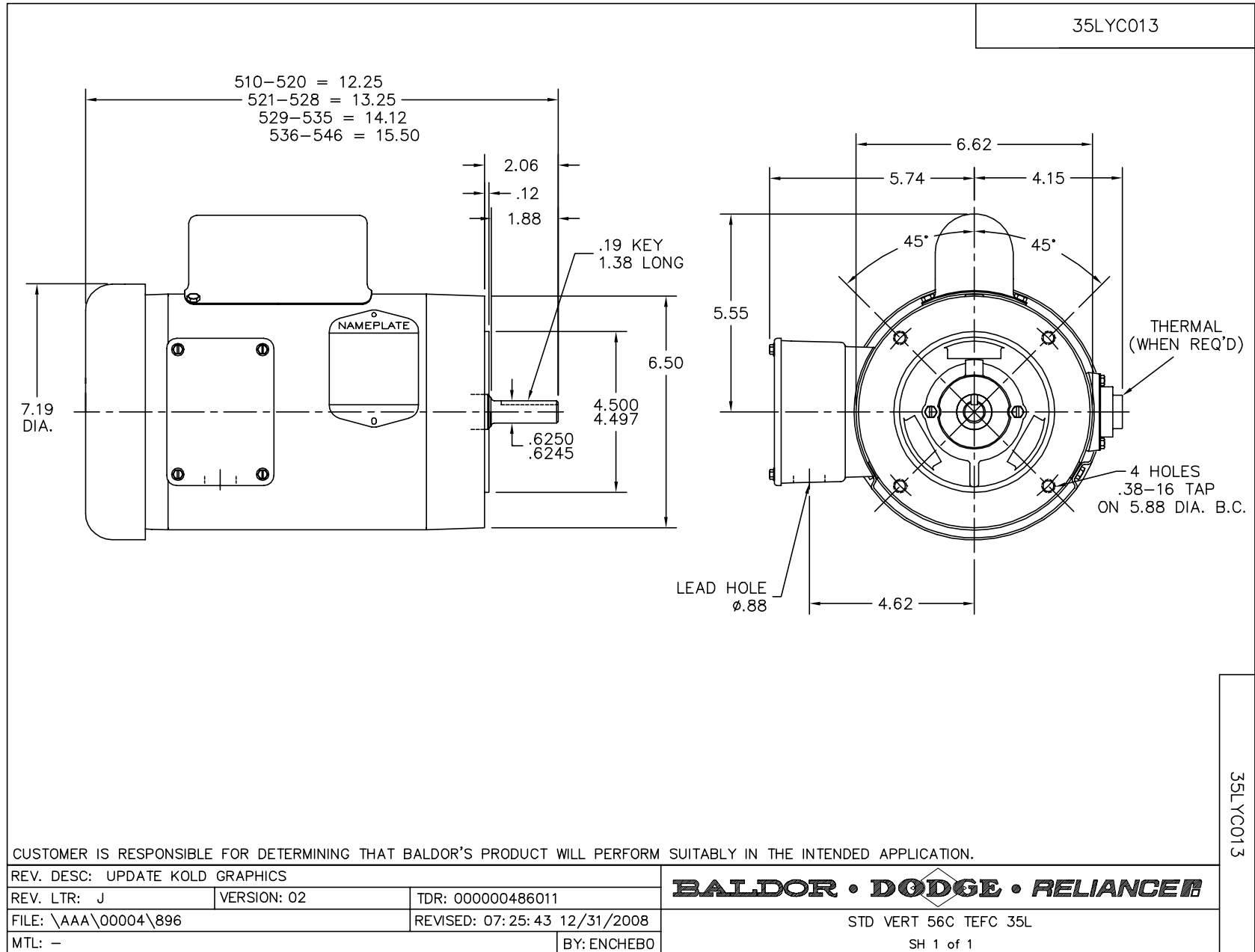
Full Load Torque:	1.5 LB-FT	Start Configuration:	DOL
No-Load Current:	2.95 Amps	Break-Down Torque:	4.1 LB-FT
Line-line Res. @ 25°C.:	2.46 Ohms A Ph / 1.75 Ohms B Ph	Pull-Up Torque:	3.1 LB-FT
Temp. Rise @ Rated Load:		Locked-Rotor Torque:	5.0 LB-FT
Temp. Rise @ S.F. Load:		Starting Current:	38.5 Amps

Load Characteristics

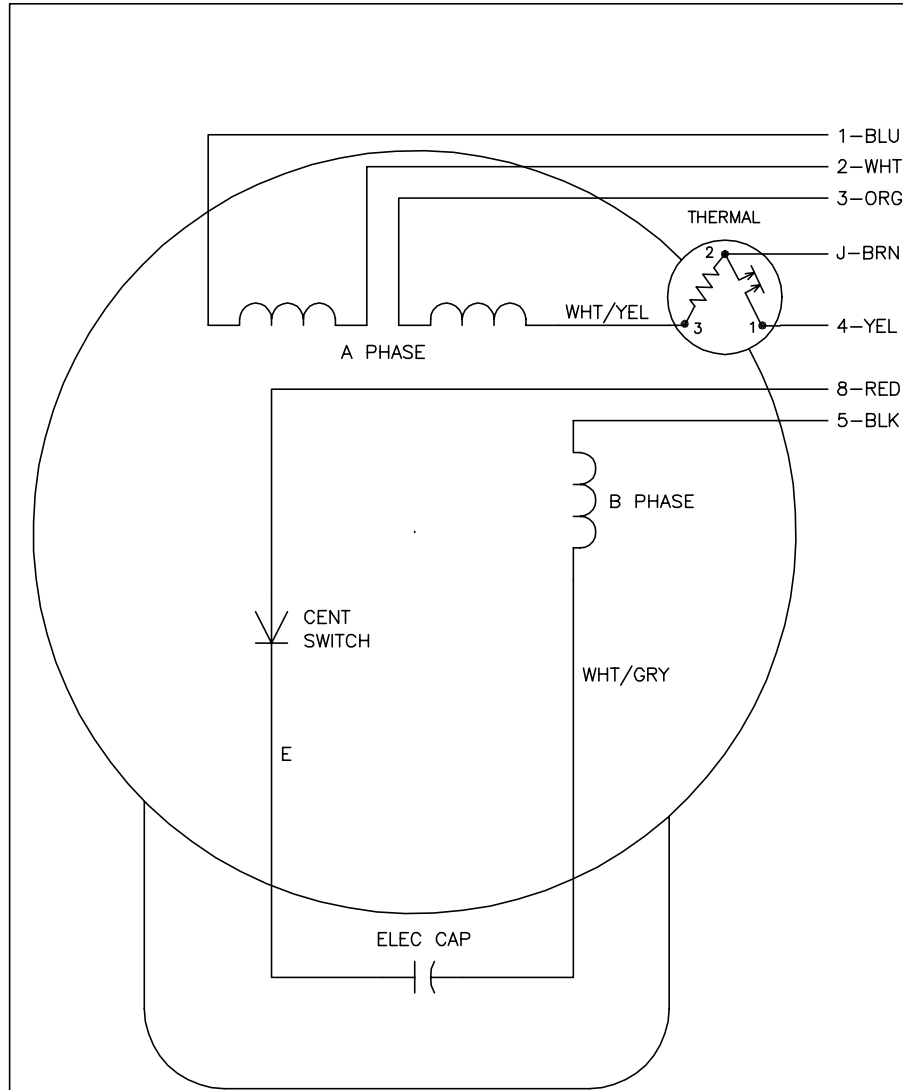
% of Rated Load	25	50	75	100	125	150	S.F.
Power Factor:	50.0	64.0	75.0	81.0	84.0	86.0	84.0
Efficiency:	49.0	65.0	67.0	69.0	68.0	67.5	68.0
Speed:	3570.0	3550.0	3530.0	3505.0	3472.0	3445.0	3472.0
Line Amperes:	3.2	3.7	4.5	5.5	6.75	7.7	6.75

Performance Graph at 230V, 60Hz, 1.0HP Typical performance - Not guaranteed values





CD0008



	LINE A	LINE B	JOIN	JOIN
HIGH STD	1	4	2,3,8	J,5
HIGH OPP	1	4	2,3,5	J,8
LOW STD	1,3,8	4	-	2,J,5
LOW OPP	1,3,5	4	-	2,J,8

NOTES:

1. STANDARD ROTATION IS CCW FACING END OPPOSITE SHAFT EXTENSION.
2. MULTIPLE CAPACITORS ARE CONNECTED IN PARALLEL UNLESS OTHERWISE SPECIFIED.
3. LEAD COLORS ARE OPTIONAL. LEADS MUST ALWAYS BE NUMBERED AS SHOWN.

REV. DESC: REMOVE 2-TERMINAL THERMAL DETAIL, SEE CD0008A02			
REV. LTR: F	VERSION: 01	TDR: 000000360649	
80000D	FILE: \AAA\00007\408	REVISED: 10:56:54 04/18/2005	
	MTL: -	BY: ENJOEPO	

BALDOR ELECTRIC Co.

TYPE L, DV, REV, THERMAL, 7 LEADS

CD0008