

# **BALDOR**® • **RELIANCE**

## **Product Information Packet**

### **VM3611T-5**

**3HP, 1750RPM, 3PH, 60HZ, 182TC, 3542M, TEFC, F1**

Copyright © All product information within this document is subject to Baldor Electric Company copyright © protection, unless otherwise noted.

Part Detail							
Revision:	E	Status:	PRD/A	Change #:		Proprietary:	No
Type:	AC	Prod. Type:	3542M	Elec. Spec:	35WGM416	CD Diagram:	
Enclosure:	TEFC	Mfg Plant:		Mech. Spec:	35L114	Layout:	
Frame:	182TC	Mounting:	F1	Poles:	04	Created Date:	11-24-2010
Base:	N	Rotation:	R	Insulation:	F	Eff. Date:	11-08-2012
Leads:	3#18	Literature:		Elec. Diagram:		Replaced By:	

Nameplate NP1256L									
CAT.NO.	VM3611T-5								
SPEC.	35L114M416H1								
HP	3								
VOLTS	575								
AMP	3.3								
RPM	1750								
FRAME	182TC	HZ	60	PH	3				
SER.F.	1.15	CODE	L	DES	A	CLASS	F		
NEMA-NOM-EFF	87.5	PF	78						
RATING	40C AMB-CONT								
CC	010A	USABLE AT 208V							
DE	6206	ODE	6203						
ENCL	TEFC	SN							

Parts List		
Part Number	Description	Quantity
SA212889	SA 35L114M416H1	1.000 EA
RA200118	RA 35L114M416H1	1.000 EA
35FN3002A05SP	EXFN, PLASTIC, 6.376 OD, .638 ID	1.000 EA
S/P101-000-000	EPACT PROCEDURES-FS PLANT-POLYREX EM, NO	1.000 EA
NS2512A01	INSULATOR, CONDUIT BOX X	1.000 EA
35CB3009	35 CB CASTING W/1.09 DIA. LEAD HOLE @ 6:	1.000 EA
36GS1000SP	GASKET-CONDUIT BOX, .06 THICK #SV-330 LE	1.000 EA
51XB1016A07	10-16 X 7/16 HXWSSLD SERTYB	2.000 EA
11XW1032G06	10-32 X .38, TAPTITE II, HEX WSHR SLTD U	1.000 EA
35EP3100M01	FREP TEFC 203 BRG W/GRSR (RAISED FH PADS	1.000 EA
HW4500A01	1641B(ALEMITE)400 UNIV, GREASE FITT	1.000 EA
HW5100A03SP	WAVY WASHER (W1543-017)	1.000 EA
35EP3304A01	STD PULLEY 182-4TC ENCL 206 BRG W/ GREAS	1.000 EA
HW4500A01	1641B(ALEMITE)400 UNIV, GREASE FITT	1.000 EA
10XN2520A20	1/4-20X 1 1/4 HEX HD X	4.000 EA
HW1001A25	LOCKWASHER 1/4, ZINC PLT .493 OD, .255 I	4.000 EA
51XB1214A16	12-14X1.00 HXWSSLD SERTYB	1.000 EA
35FH4005A84SP	IEC FH W/GRSR, NO DIMPLES W/AUTOPHERETIC	1.000 EA
51XW1032A06	10-32 X .38, TAPTITE II, HEX WSHR SLTD S	3.000 EA
35CB4521GX	CONDUIT BOX LID KIT	1.000 EA
51XW0832A07	8-32 X .44, TAPTITE II, HEX WSHR SLTD SE	4.000 EA
HW2501E16	3KEY, 1/4 SQ X 1.750	1.000 EA
HA7000A02	KEY RETAINER RING, 1 1/8 DIA, 1 3/8 DIA	1.000 EA
85XU0407S04	4X1/4 U DRIVE PIN STAINLESS	2.000 EA

Parts List (continued)		
Part Number	Description	Quantity
MJ1000A75	GREASE, POLYREX EM EXXON	0.050 LB
MG1000G27	PAINT- S9282E CHARCOAL GREY	0.017 GA
HA3100A24	THRUBOLT 10-32 X 10.625	4.000 EA
LB1119	WARNING LABEL	1.000 EA
LB1125C04	STD-E (STOCK CTN LABEL STD-E WITH FLAG)	1.000 EA
LC0006	CONNECTION LABEL	1.000 EA
NP1256L	ALUM UL CSA CC	1.000 EA
36PA1000	PACK GROUP W/LB5001	1.000 EA
PK3082	STYROFOAM CRADLE	1.000 EA

**Performance Data at 575V, 60Hz, 3.0HP (Typical performance - Not guaranteed values)**

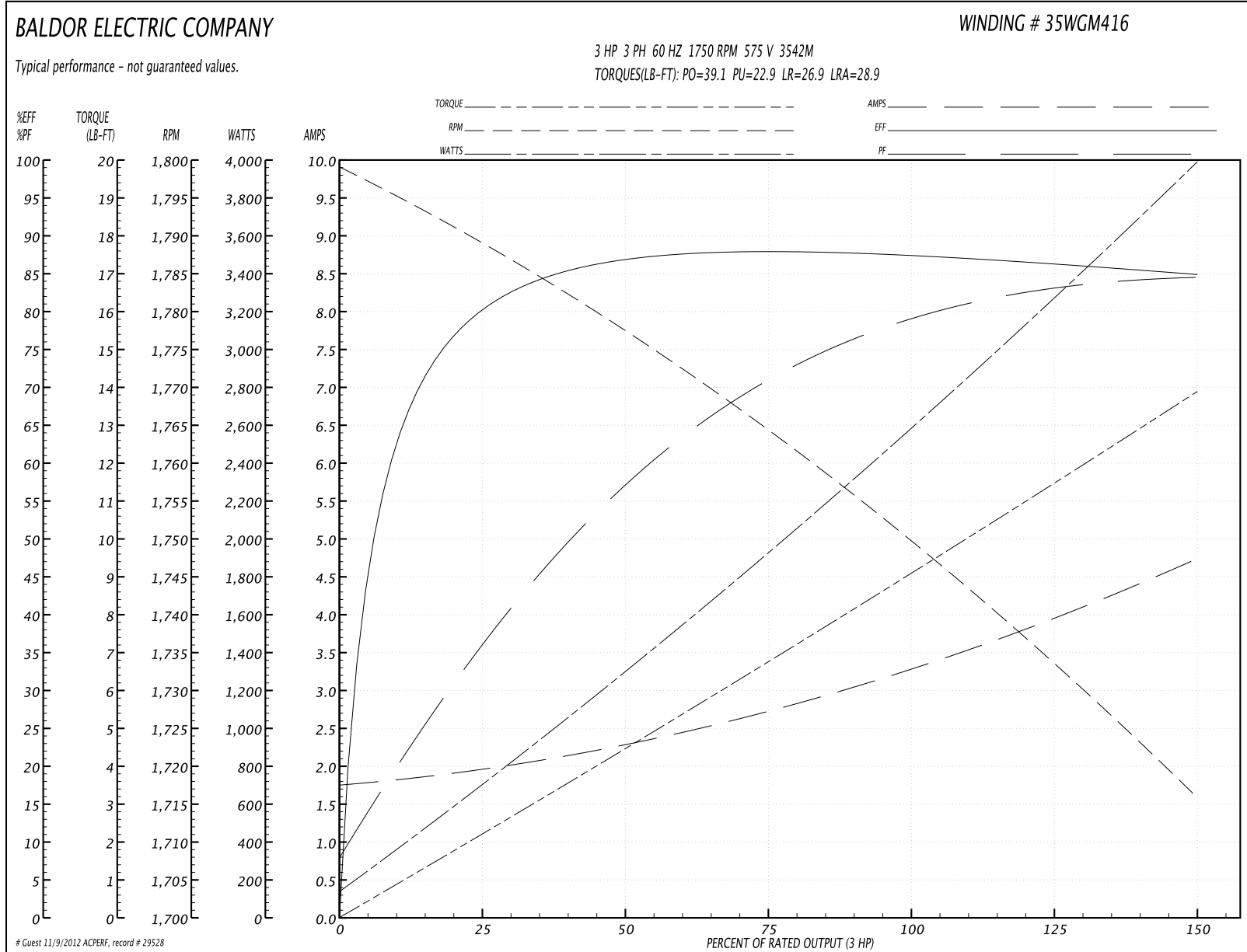
**General Characteristics**

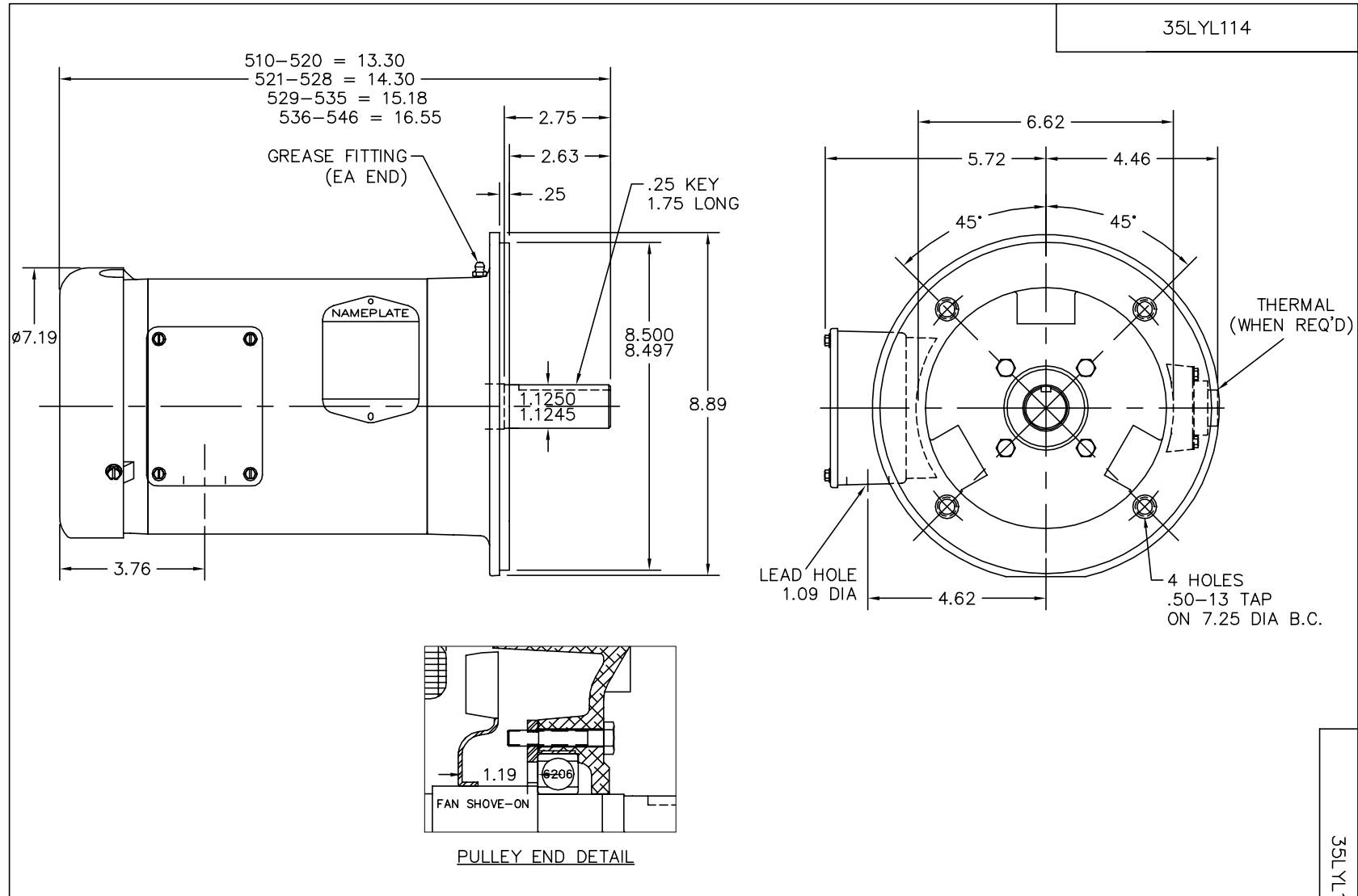
Full Load Torque:	9.09 LB-FT	Start Configuration:	DOL
No-Load Current:	1.78 Amps	Break-Down Torque:	39.1 LB-FT
Line-line Res. @ 25°C.:	7.23 Ohms A Ph / 0.0 Ohms B Ph	Pull-Up Torque:	22.9 LB-FT
Temp. Rise @ Rated Load:	66 C	Locked-Rotor Torque:	26.9 LB-FT
Temp. Rise @ S.F. Load:	80 C	Starting Current:	28.9 Amps

**Load Characteristics**

% of Rated Load	25	50	75	100	125	150	S.F.
Power Factor:	38.0	59.0	71.0	78.0	82.0	85.0	80.0
Efficiency:	79.9	86.3	87.8	87.7	86.6	84.7	87.0
Speed:	1789.0	1777.0	1764.0	1750.0	1733.0	1716.0	1740.0
Line Amperes:	1.93	2.28	2.74	3.31	3.98	4.72	3.71

Performance Graph at 575V, 60Hz, 3.0HP Typical performance - Not guaranteed values





CUSTOMER IS RESPONSIBLE FOR DETERMINING THAT BALDOR'S PRODUCT WILL PERFORM SUITABLY IN THE INTENDED APPLICATION.

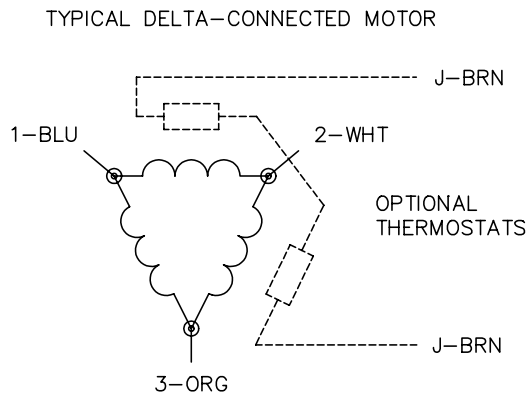
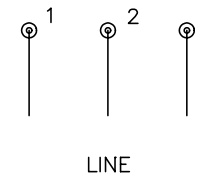
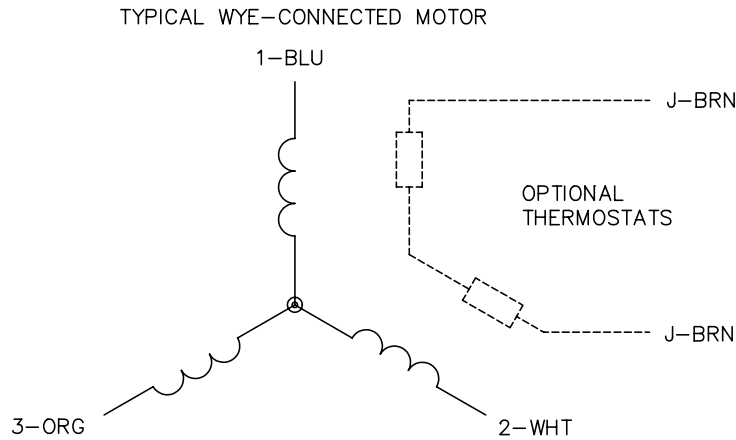
REV. DESC: UPDATE PARTS TO MATCH MECH BOM		
REV. LTR: K	VERSION: 01	TDR: 000000754293
FILE: \AAA\00015\725		REVISED: 09: 46: 22 07/06/2012
MTL: -	BY: ENMICW1	

**BALDOR**

STD VERT 182-4TC TEFC 35M  
 SH 1 of 1

35LYL114

CD0006



NOTES:

1. THREE LEAD MOTOR MAY BE EITHER WYE CONNECTED OR DELTA CONNECTED.
2. INTERCHANGE ANY TWO LINE LEADS TO REVERSE ROTATION.
3. OPTIONAL THERMOSTATS ARE PROVIDED WHEN SPECIFIED.
4. ACTUAL NUMBER OF INTERNAL PARALLEL CIRCUITS MAY VARY.
5. LEAD COLORS ARE OPTIONAL. LEADS MUST BE NUMBERED AS SHOWN.

REV. DESC: REVISE TO SHOW OPTIONAL COLORS			
REV. LTR: D	BY: JLP	REVISED: 01/21/99 4:02	TDR: 0171435
9000D		FILE: AAA00005141	MDL: -
		MTL: -	

**BALDOR ELECTRIC Co.**

3PH, SV, 3 LEADS, WYE OR DELTA CONNECTED

CD0006