

BALDOR® • **RELIANCE**

Product Information Packet

VP3458D

.75/1KW,3000RPM,DC,D80D,3428P,TEFC,F2

Copyright © All product information within this document is subject to Baldor Electric Company copyright © protection, unless otherwise noted.

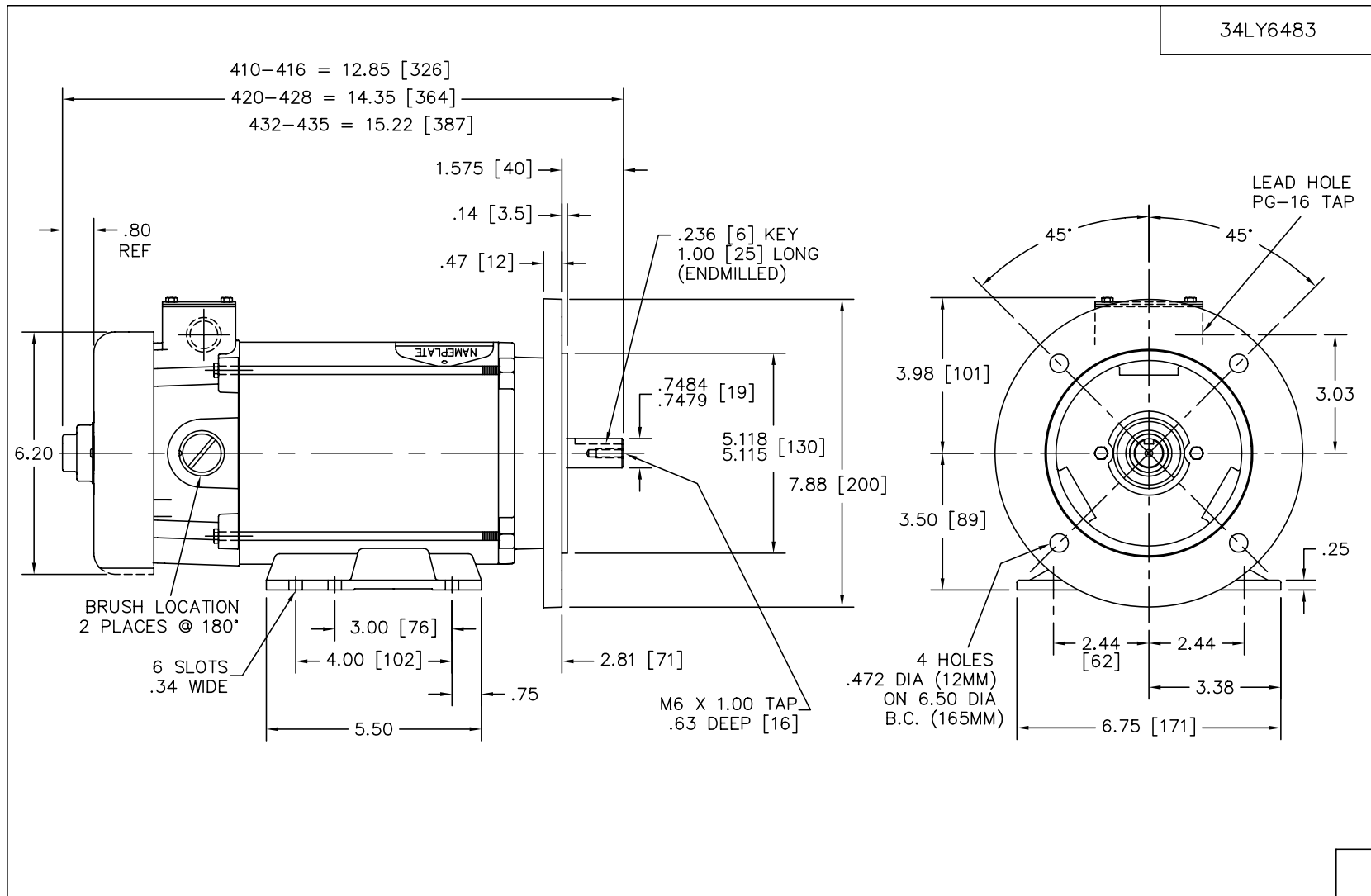
Part Detail							
Revision:	E	Status:	PRD/A	Change #:		Proprietary:	No
Type:	DC	Prod. Type:		Elec. Spec:	34WGZ145	CD Diagram:	
Enclosure:	TEFC	Mfg Plant:		Mech. Spec:	34-6483	Layout:	
Frame:	D80D	Mounting:	B35	Poles:	///	Created Date:	
Base:	RG	Rotation:	R	Insulation:	F	Eff. Date:	02-22-2008
Field Type:		Literature:		Elec. Diagram:		Replaced By:	

Nameplate NP1049L			
CAT.NO.	VP3458D		
SPEC.	34-6483Z145		
KW/HP	.75/1 TE	I.P.	54
RPM	3000 TE		
IEC FRAME	D80D	TYPE	3428P
ARM V	180	ARM A	5.1
FLD V		FLD A	
INSUL	F	AMB.	40C
DUTY	CONT	SUPPLY	1.5
BRG/DE	6206	BRG/ODE	6203
BRUSHES	2/BP5000AW14		
		BLANK	
SER.			
BLANK			
APRV-CE		APRV-CSA	APRV-UL

Parts List		
Part Number	Description	Quantity
SA053029	SA 34-6483Z145	1.000 EA
AA005947	AA 34-6483Z145	1.000 EA
BP5000AW14SP	CARBON BRUSH - 33P, 180 VOLTS	1.000 EA
HA3210B66	.125 DIA X .281 (AUTO)	2.000 EA
11XW1032G06	10-32 X .38, TAPTITE II, HEX WSHR SLTD U	1.000 EA
HW3001B01	003SS CUP WASHER, FOR #8 SCREW	1.000 EA
34EP3103B14	FR ENDPLATE MACH 34PM TEFC F-2 MTG W/PG-	1.000 EA
WD4100A17	PLUG STIMPSON D4036	1.000 EA
HW5100A03SP	WAVY WASHER (W1543-017)	1.000 EA
34EP2505A01	FLG MTG EP IEC F165 ENCL 205 BRG MACH.	1.000 EA
HW4600B49SP	SEAL 0.938 X 1.624 X 0.250 SINGLE LIP DB	1.000 EA
51XN1032A24	10-32 X 1 1/2 HX WS SL SR	2.000 EA
BP5201A11SP	BRUSH HOLDER ASSY W/BP4511A01 & BP3000A0	1.000 EA
80XN1032A03	10-32 X 3/16 SET SCREW	2.000 EA
34FN3002A01SP	EXTERNAL FAN, PLASTIC, .637/.639 HUB W/	1.000 EA
34FH5002A01SP	FAN COVER ASSY W/SHAFT COVER	1.000 EA
51XW1032A06	10-32 X .38, TAPTITE II, HEX WSHR SLTD S	3.000 EA
34CB4504SP	CONDUIT BOX LID, STAMPED	1.000 EA
34GS1011SP	GASKET, CONDUIT BOX LID	1.000 EA
51XW0832A07	8-32 X .44, TAPTITE II, HEX WSHR SLTD SE	2.000 EA
WD4102A01	SR-6L-1 HEYCO STRN RELIEF OR 23MPO6L10 M	1.000 EA
HW2504E10	KEY, 6 MM X 1.000	1.000 EA
HA7000A11	KEY RETAINER 0.750 DIA SHAFTS	1.000 EA
MG1000G27	PAINT- S9282E CHARCOAL GREY	0.014 GA

Parts List (continued)		
Part Number	Description	Quantity
MJ5004A05	#242-21 LOCTITE GENERAL PURPOSE MED. STR	0.001 EA
MJ5001A01	46-665 RED SEALER	0.001 QT
10XF0440S02	04-40 X 1/8 TYPE F HEX HD STAINLESS STIC	2.000 EA
ML1424B14	UL3321,150C,14 GA,BLACK, #A1	8.500 IN
ML1425B14	UL3321,150C,14 GA,BLACK, #A2	8.500 IN
HA3100A47	THRUBOLT 10-32 X 7.625	4.000 EA
LB1119	WARNING LABEL	1.000 EA
LB1125C01	STD (STOCK) CARTON LABEL BALDOR WITH FLA	1.000 EA
LB5040	INSTRUCTION TAG, AC & DC	1.000 EA
LC0194	CONNECTION LABEL FOR TYPE PM-DC MOTOR W/	1.000 EA
NP1049L	NP STD LASER ENGRAVED IEC DC MOTORS, UL	1.000 EA
27PA1006	PACKAGING GROUP	1.000 EA

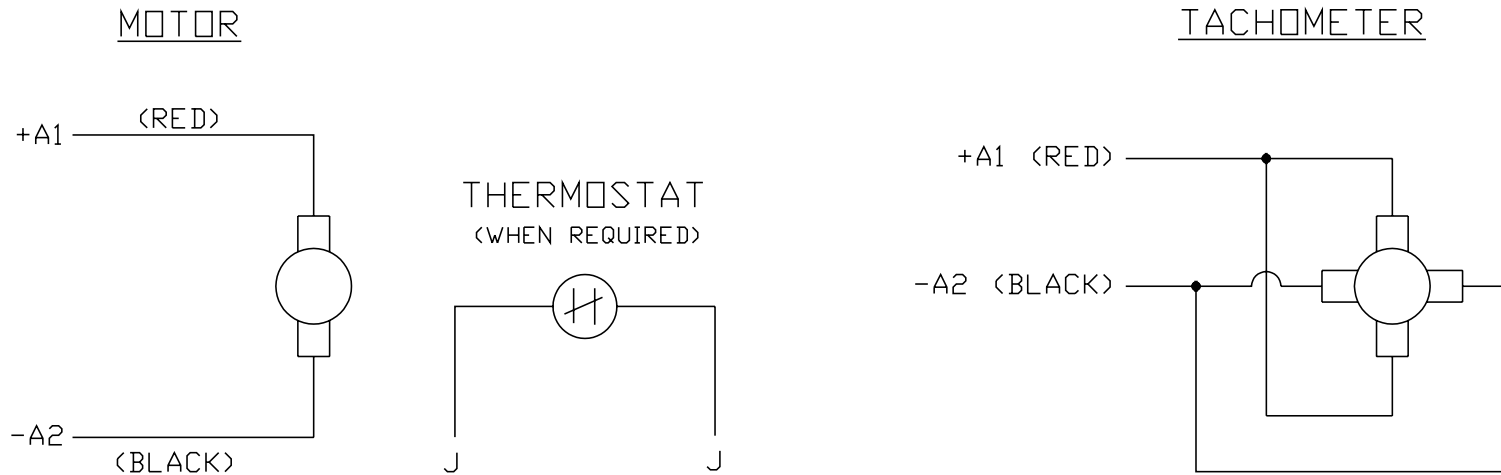
Accessories		
Part Number	Description	Multiplier
TK3400	TACHO MOUNTING KIT FOR TK3400	A8
TK3400-HPU	HPU10 MOUNTING KIT 34P/35P TEFC	A8



CUST. NAME		CUST. P.O.		CERTIFIED BY		MODEL		INSUL		AMB	
H.P.		MTG		TYPE		R.P.M.		VOLTS		ENCL	
PHASE		FREQ		FRAME							
REV. DESC: NEW											
REV. LTR: -		BY: DM		REVISED: 09/23/99 9:33		TDR: 0140725					
FILE: AAA00067427				MDL: -							
MTL:				REF 34-5960							
BALDOR ELECTRIC Co.						STD HOR 34PM TEFC IEC D80D-B5/B35 NEMA BASE & MTG/MFTK					

34LY6483

CD0194



NOTES:

1. CCW ROTATION AS SHOWN FACING COMMUTATOR END. TO REVERSE MOTOR ROTATION OR TACHOMETER OUTPUT POLARITY INTERCHANGE LEADS A1(RED) & A2(BLACK)
2. LEAD COLORS FOR REFERENCE ONLY & NOT SPECIFIED BY THIS DRAWING. LEAD COLORS SPECIFIED BY LAYOUT DRAWING & BILL OF MATERIAL ONLY.

MATL: -			
REV: E	ADDED NOTE "LEAD COLORS FOR REFERENCE ONLY &..."		
761000	SCALE: -	BY: CK	REVISED: 07/28/95
	FILE: AAA00004503		TDR: 0078737

BALDOR ELECTRIC Co.

CD TYPE P DC PERMANENT MAGNET MOTORS AND TACHOMETERS

CD0194