

BALDOR® • RELIANCE

Product Information Packet

VP3605D

3.7KW,1750RPM,DC,D112D,3681P,TEFC,F1

Copyright © All product information within this document is subject to Baldor Electric Company copyright © protection, unless otherwise noted.

Part Detail							
Revision:	N	Status:	PRD/A	Change #:		Proprietary:	No
Type:	DC	Prod. Type:		Elec. Spec:	36WGZ509	CD Diagram:	
Enclosure:	TEFC	Mfg Plant:		Mech. Spec:	36P184	Layout:	
Frame:	D112D	Mounting:	F1	Poles:	///	Created Date:	
Base:	RG	Rotation:	R	Insulation:	F	Eff. Date:	04-10-2012
Field Type:		Literature:		Elec. Diagram:		Replaced By:	

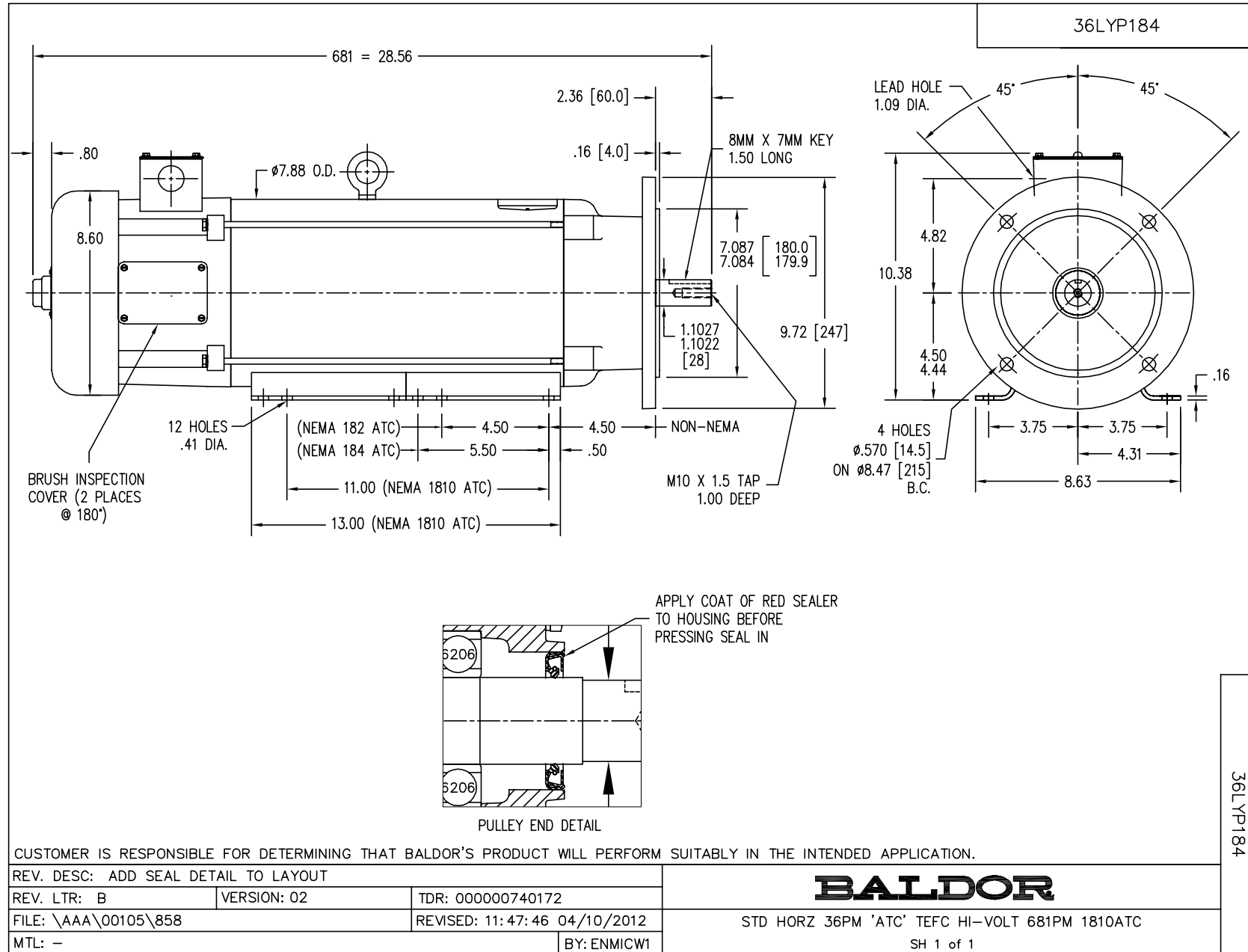
Nameplate NP1418L

CAT.NO.	VP3605D							
SPEC.	36P184Z509							
HP	3.7KW	ENCL			TEFC			
RPM	1750							
FRAME	D112D	TYPE			3681P			
ARM V	180	ARM A			24.5			
FLD V		FLD A						
INSUL	F	AMB.			40			
DUTY	CONT	SUPPLY			K			
BRG/DE	6206	BRG/ODE			6206			
BRUSHES	2/BP5027A01							
		BLANK						
SER.								
BLANK								
APRV-CE	Y	APRV-CSA			Y	APRV-UL		N

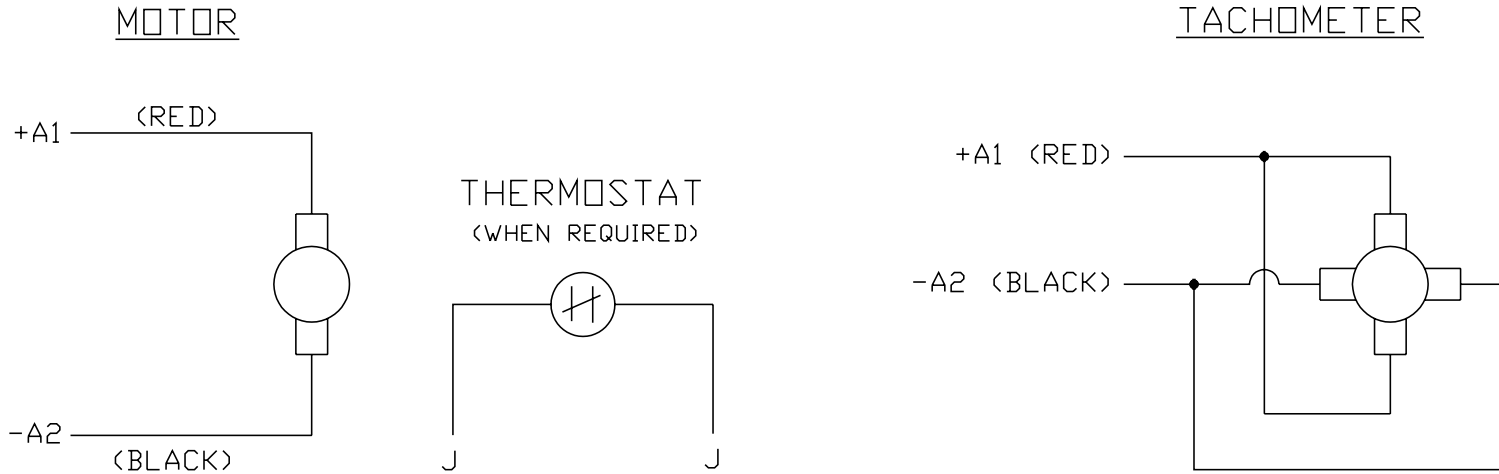
Parts List		
Part Number	Description	Quantity
SA103086	SA 36P184Z509	1.000 EA
AA009386	AA 36P184Z509	1.000 EA
HW3201A05	3/8-16 EYEBOLT	1.000 EA
19XM3118A08	5/16-18X1/2 HX HD ROLL FM#93882A578 MCMA	8.000 EA
36CB3000SP	CONDUIT BOX, CAST	1.000 EA
36GS1000SP	GASKET-CONDUIT BOX, .06 THICK #SV-330 LE	1.000 EA
51XB1016A07	10-16 X 7/16 HXWSSLD SERTYB	2.000 EA
11XW1032G06	10-32 X .38, TAPTITE II, HEX WSHR SLTD U	1.000 EA
HW3001B01	003SS CUP WASHER, FOR #8 SCREW	1.000 EA
36EP3402A03	SPL FR. E.P. MACH'G 36PM FOR (681P) STAC	1.000 EA
26XW1032A08	10-32 X 1/2 PHILLIPS HEAD TAPTITE-II (SI	4.000 EA
HW5100A06	W2420-025 WVY WSHR (WB)	1.000 EA
36EP1506A01	SPL FLANGE , 36PM IEC D100SD-D100MD-D112	1.000 EA
10XN2520A28	1/4-20X 1 3/4 HEX HD	4.000 EA
HW1001A25	LOCKWASHER 1/4, ZINC PLT .493 OD, .255 I	4.000 EA
HW4600B50SP	SEAL 1.156 X 1.874 X 0.250 SINGLE LIP DB	1.000 EA
36FN3000A01SP	EXFN, PLASTIC, 7.00 OD, .912 ID	1.000 EA
51XB1214A16	12-14X1.00 HXWSSLD SERTYB	1.000 EA
36FH5000A11	FAN COVER/TACH. ACC. ASSY.08 45823107	1.000 EA
51XW1032A06	10-32 X .38, TAPTITE II, HEX WSHR SLTD S	3.000 EA
35CB4514	35 LIPPED CB LID	1.000 EA
36GS1001A08	GASKET - CONDUIT BOX LID 36 FRAME	1.000 EA
51XW0832A07	8-32 X .44, TAPTITE II, HEX WSHR SLTD SE	4.000 EA
36CB4500SP	CONDUIT BOX LID, STAMPED	2.000 EA

Parts List (continued)		
Part Number	Description	Quantity
36GS1001A08	GASKET - CONDUIT BOX LID 36 FRAME	2.000 EA
51XW0832A07	8-32 X .44, TAPTITE II, HEX WSHR SLTD SE	8.000 EA
HW2505A14	KEY, 8 X 7 MM 1.50 INCHES	1.000 EA
HA7000A02	KEY RETAINER RING, 1 1/8 DIA, 1 3/8 DIA	1.000 EA
LB1115	LABEL,LIFTING DEVICE	1.000 EA
WD1000D04	TERMINAL, NON-INS RING, 12-10 GA, #10 BO	2.000 EA
MG1000G27	PAINT- S9282E CHARCOAL GREY	0.019 GA
85XU0409A04	4X1/4 U DRIVE PIN/85xu0407a04	2.000 EA
NP1418L	NP STD LASER ENGRAVED DC MOTORS, CSA CE	1.000 EA
LB5040	INSTRUCTION TAG, AC & DC	1.000 EA
MG5010A01	TRICKLE VARNISH (PEDIGREE 600 S)	0.005 GA
MG5010Z01	488 (TPB) CATALYST	0.001 LB
36RK5008A01	ROCKERARM ASSY-GRADE E45	1.000 EA
HA3101A63	THRUBOLT- 1/4-20 X 15.500	4.000 EA
LC0194	CONNECTION LABEL FOR TYPE PM-DC MOTOR W/	1.000 EA
LB1172A01	CUSTOM MTR CARTON LABEL LASER PRINTER	1.000 EA
LB1119	WARNING LABEL	1.000 EA
36PA1062	PACKAGING GROUP	1.000 EA
PK4050C01	WFBRD 18 7/8X8 1/8X3/8 TDR #45013 DON'	1.000 EA

Accessories		
Part Number	Description	Multiplier
TK3600PM	TACHO MOUNTING KIT FOR TK3600PM	A8



CD0194



NOTES:

1. CCW ROTATION AS SHOWN FACING COMMUTATOR END. TO REVERSE MOTOR ROTATION OR TACHOMETER OUTPUT POLARITY INTERCHANGE LEADS A1(RED) & A2(BLACK)
2. LEAD COLORS FOR REFERENCE ONLY & NOT SPECIFIED BY THIS DRAWING. LEAD COLORS SPECIFIED BY LAYOUT DRAWING & BILL OF MATERIAL ONLY.

MATL: -			
REV: E	ADDED NOTE "LEAD COLORS FOR REFERENCE ONLY &..."		
761000	SCALE: -	BY: CK	REVISED: 07/28/95
	FILE: AAA00004503	TDR: 0078737	

BALDOR ELECTRIC Co.

CD TYPE P DC PERMANENT MAGNET MOTORS AND TACHOMETERS

CD0194